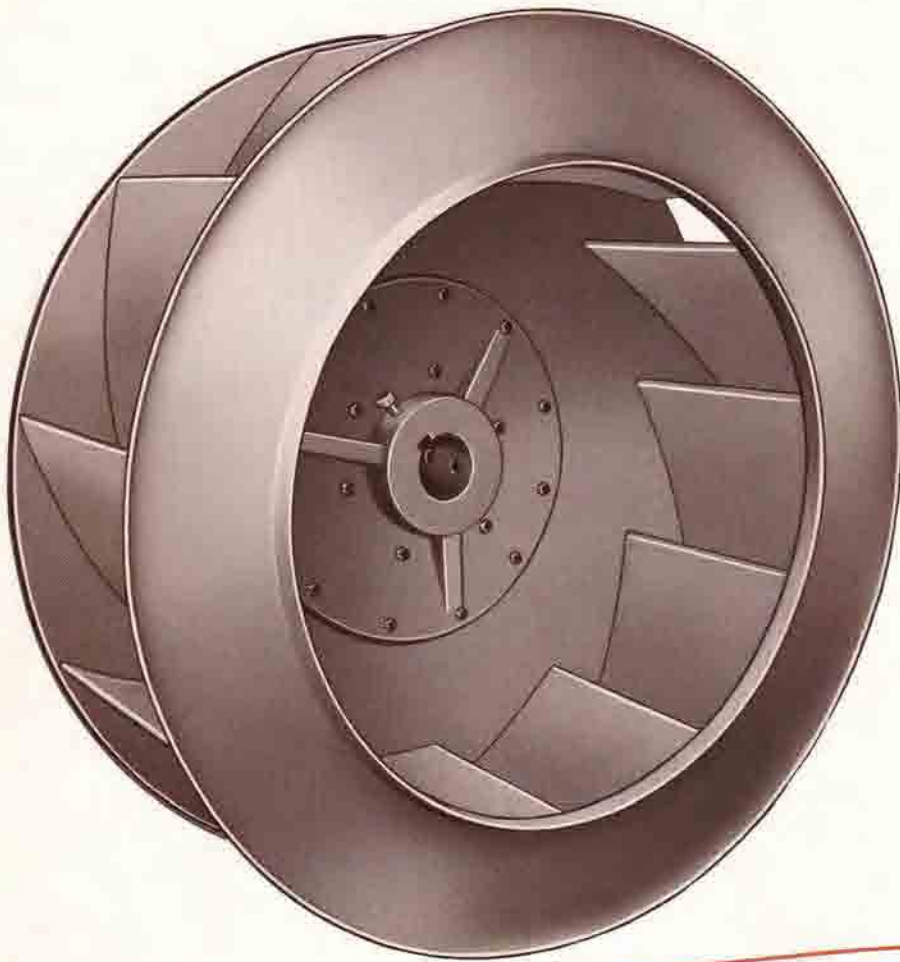


SHELDONS

Type

A



AIRFOIL CENTRIFUGAL FANS

CATALOG No. 354



SHELDONS ENGINEERING LIMITED

Galt, Ontario; Montreal, Toronto, Hamilton, London, Ottawa, Vancouver

Representatives in principal cities across Canada

Sheldons Manufacturing Corporation, Bensenville, Illinois



AIRFOIL

STREAMLINED INLET

Deep contour inlet spinnings are designed to reduce inlet losses and turbulence, increase efficiency and reduce inlet noises to a minimum. Smooth acceleration of the air from the inlet to the wheel is achieved and close tolerances are maintained between the inlet and the wheel shroud. A large diameter inlet collar is provided for the attachment of ductwork to single inlet fans. Flanged inlets are also available.

VARIABLE INLET VANES

— Available when required.

STRONG REINFORCING ANGLES

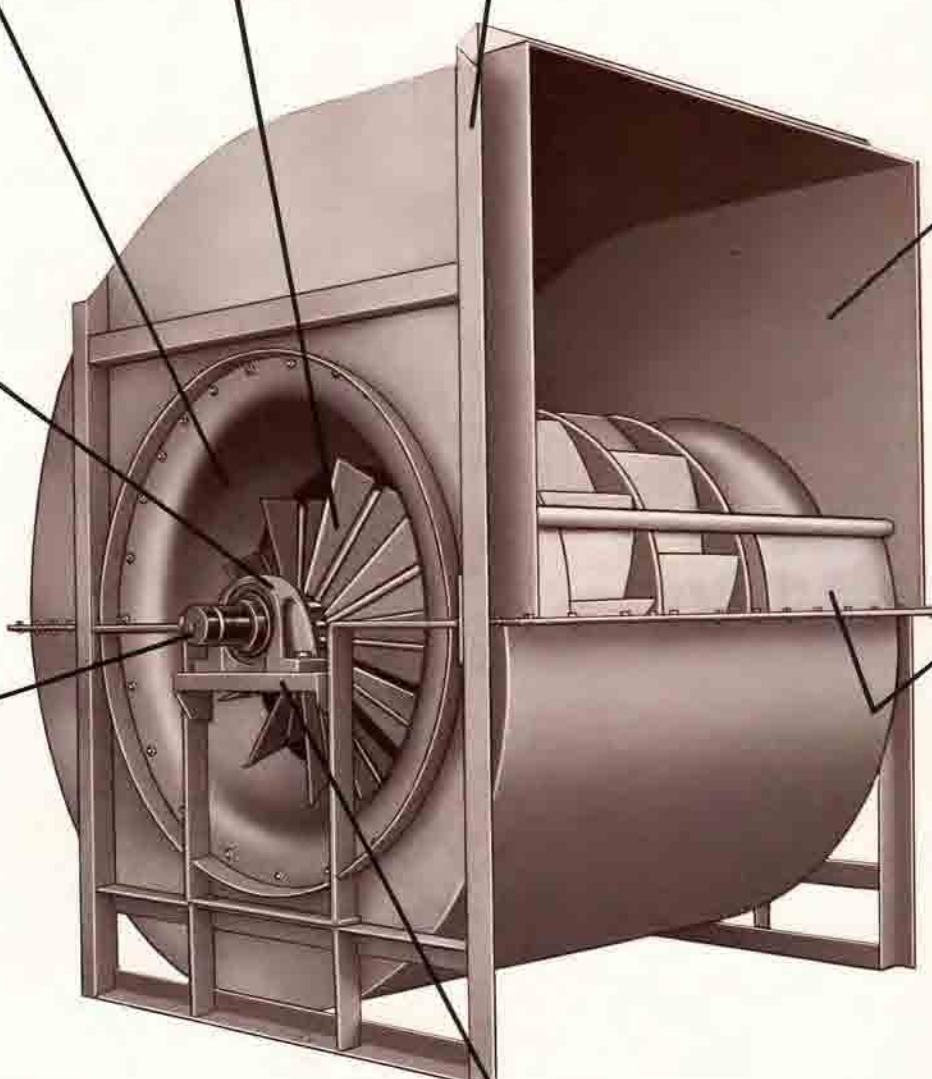
Inverted angle design greatly increases the stiffness and strength of the housing by forming a beam section in all fixed discharge sizes.

HEAVIER BEARINGS

Ball bearings are standard. They are conservatively selected to give long life and trouble free service. Roller Bearings are available on most sizes. Sleeve bearings are also available when approved for specific applications by our engineering department.

PRECISION GROUND SHAFT

Shafts are ground and polished to close tolerances so that an accurate fit is made with the bearings and hub, preventing any possibility of wobble or loosening of the wheel or bearings. Wheels are carefully keyed and bearings are tightly locked to the shaft.

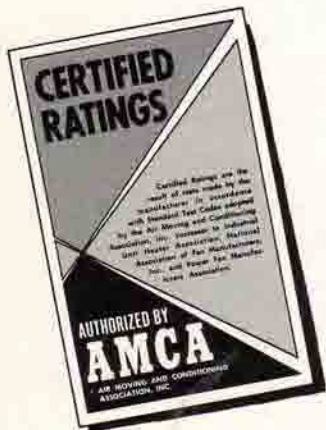


AMCA CERTIFIED RATINGS

"SHELDONS certifies that the Type "A" Fan as shown herein has been tested and its performance rated in accordance with the appropriate AMCA approved test codes and procedures and has been licensed to bear the AMCA Certified Ratings Seal."

STURDY BEARING SUPPORT

Constructed of heavy structural steel, the support for the bearing maintains accurate alignment, prevents bearing distortion and yet provides a minimum of resistance to the airstream. Independent pedestals are available on Class I, II and III fixed discharge fans and are standard on some sizes of Class III, IV, V and VI fans.



FANS



HEAVY GAUGE HOUSING

The housing is fabricated of heavy gauge steel plates accurately cut and formed and continuously welded throughout for added strength and airtight construction. No lockseam joints are used. Flanged discharge, and access doors of the quick opening, bolted or plug type are optional accessories.

SPLIT HOUSING AVAILABLE

Fan housings can be ordered split horizontally with flanges provided for bolting the two halves together. Vertical split or V-split can also be furnished.

EFFICIENT CUTOFF

The cutoff has been designed to give smooth, quiet and efficient performance from the fan outlet.

DYNAMICALLY BALANCED WHEELS

All wheels are balanced both dynamically and statically to extremely close tolerances on precision electronic balancing machines.

ACCURATE DIE FORMED BLADES

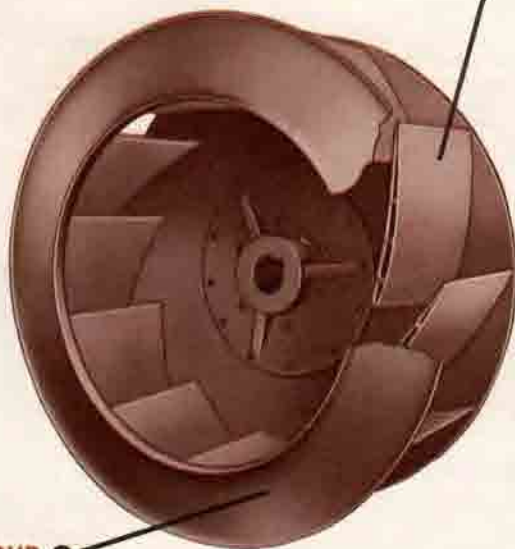
The hollow section blade is accurately formed from a single sheet of steel and welded at the trailing edge. Class III and heavier blades have internal blade reinforcing. This plus the double camber airfoil blade contour gives the wheel unequalled structural strength. Backward inclined wheels are furnished in sizes 122 through 222.

HEAVY C. I. HUB

Oversized flange and heavy cross section greatly stiffens the entire wheel and ensures that the wheel will run straight and true.

RUGGED BACKPLATE

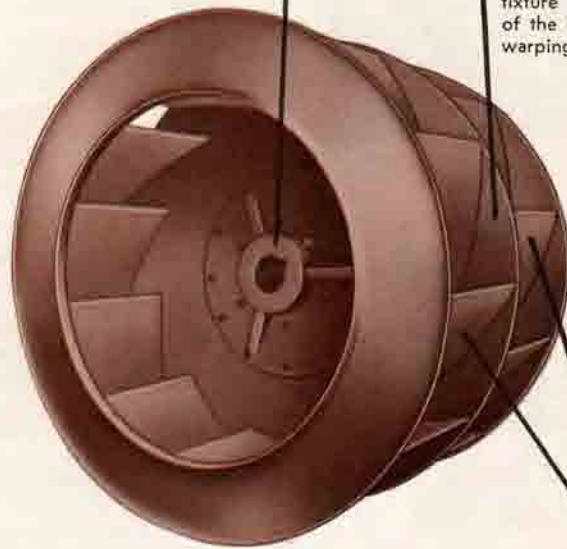
The heavy gauge backplate is clamped tightly into the wheel-building fixture before welding of the wheel to prevent warping and distortion.



SPUN SHROUD

Radial design results in a wider blade tip, thereby reducing turbulence for improved performance and quieter operation.

SWSI



DWDI

STAGGERED BLADES

This reduces and smoothes out noise caused by the air leaving the blade tips.

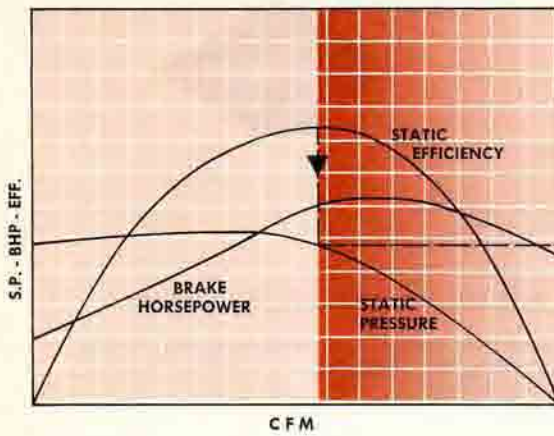


FIG. 1

SELECTION OF AIRFOIL FANS

Figure 1 shows typical performance curves for SHELDONS Airfoil Fans. Optimum performance is achieved at point of maximum static efficiency. If consideration of space or economics dictates other than optimum selection, it should be selected to the right of the peak efficiency. Selection to the left results in a fan larger than necessary and one more difficult to balance to the system. The darker shading indicates the most efficient selection.

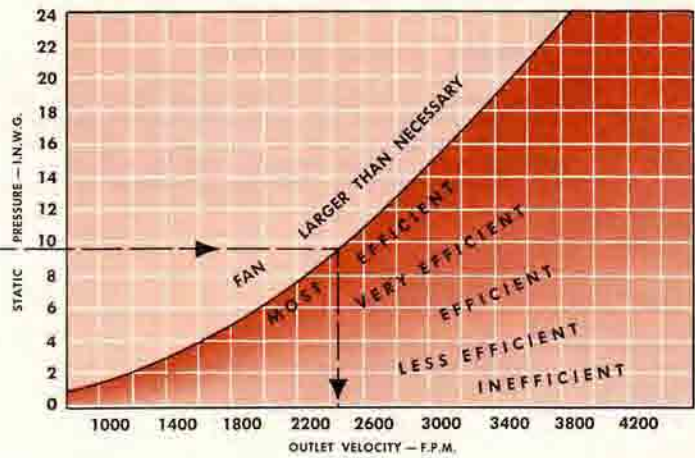
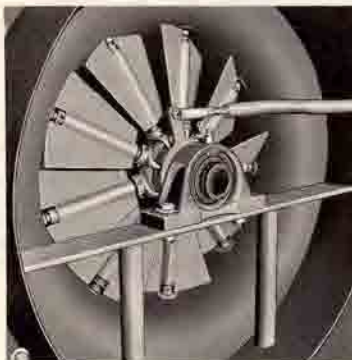


FIG. 2

Figure 2 relates the selection to outlet velocity for any given static pressure. Again the darkest shading indicates the most efficient selection. To select the most efficient fan for a given performance locate the required static pressure. Move horizontally to the edge of the shaded area and down to the outlet velocity scale. Select from the rating tables the fan which will produce the required cfm at this O.V. or nearest higher O.V.



VARIABLE INLET VANES

The variable inlet vane control is designed to operate in the fan inlet so that no additional space is required. Either manual setting or automatic operation can be employed. All pivot points operate in nylon bushings so that extremely smooth operation is attained and no lubrication is required.

Figure 3 illustrates the power saving characteristic of our Variable Inlet Vane design. This is accomplished by imparting an initial spin to the air entering the fan so that the work done by the fan is reduced and a saving in horsepower results at reduced air volume.

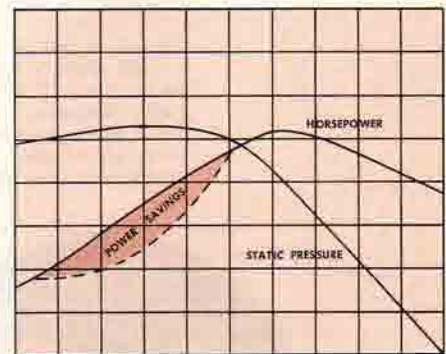


FIG. 3

OUTLET DAMPERS

Available in either parallel or opposed blade design. Outlet dampers provide the most economical means of varying the air volume.

COOLING DISCS

Available on arrangement 1, 2, 8 or 9 single inlet fans, this aluminum wheel conducts and dissipates the heat away from the shaft and bearings, as well as shielding them from radiant heat, so the fan can be operated at elevated temperatures. It must be used when air temperatures exceed 250 degrees F.



OTHER ACCESSORIES AVAILABLE

INLET SCREENS — Constructed of heavy gauge wire, this protective screen fits inside the inlet cone and may be easily removed.

HOUSING DRAIN — Recommended on installations handling moist air or where fan is installed outdoors.

SHAFT SEAL — The shaft seal is constructed of red fibre or asbestos, to seal the shaft where it passes through the fan housing. Other

materials such as Teflon are available for special applications. The standard shaft seal construction is not gas tight.

EFFECT OF ACCESSORY EQUIPMENT — Accessories such as inlet screens, outlet dampers, and inlet louver dampers affect fan performance ratings to some degree. Where delivery requirements are critical, and auxiliary equipment is required, your Sheldon's representative is available to assist in these critical selections.

& ACCESSORIES

TIP SPEED LIMITATIONS

CLASS	TYPE A	TYPE B	CLASS	TYPE A
I	11000	10000	IV	20000
II	14000	13000	V	22500
III	17500	17000	VI	25000

REDUCE MAXIMUM SPEEDS AS FOLLOWS DUE TO TEMPERATURE

300° - 0%	600° - 10%
400° - 2½%	700° - 15%
500° - 5%	800° - 30%

DENSITY CORRECTION FACTORS FOR TEMPERATURE AND ELEVATION

ELEVATION IN FEET ABOVE SEA LEVEL													
AIR TEMP.	SEA LEVEL	1000	1500	2000	2500	3000	4000	5000	6000	7000	8000	9000	10000
BAROMETRIC PRESSURE IN INCHES OF MERCURY													
° F	29.92	28.85	28.33	27.82	27.31	26.81	25.84	24.89	23.98	23.09	22.12	21.38	20.54
-30	1.234	1.191	1.170	1.15	1.128	1.105	1.066	1.028	.987	.956	.914	.883	.847
0	1.152	1.11	1.092	1.072	1.052	1.033	.950	.957	.922	.894	.852	.823	.791
30	1.082	1.043	1.024	1.005	.990	.970	.934	.900	.865	.838	.800	.774	.742
70	1.000	.964	.947	.930	.913	.896	.864	.832	.799	.774	.739	.715	.687
100	.946	.912	.895	.878	.863	.847	.816	.785	.755	.732	.698	.675	.649
150	.869	.838	.824	.807	.793	.779	.750	.722	.695	.672	.642	.622	.596
200	.803	.775	.760	.747	.733	.720	.693	.667	.642	.622	.593	.574	.552
250	.747	.720	.707	.695	.682	.670	.645	.622	.597	.578	.552	.535	.512
300	.697	.672	.660	.647	.636	.625	.602	.579	.557	.540	.515	.498	.478
350	.654	.630	.620	.608	.597	.586	.564	.543	.522	.507	.483	.467	.449
400	.616	.594	.583	.572	.562	.552	.532	.512	.482	.477	.455	.440	.423
500	.553	.534	.524	.514	.505	.496	.478	.460	.442	.428	.409	.396	.380
600	.500	.482	.474	.465	.456	.448	.432	.416	.400	.387	.370	.358	.344
700	.457	.441	.433	.425	.417	.410	.395	.380	.366	.354	.338	.327	.314

CORROSION RESISTANT MATERIALS AND COATINGS

	Temp. Limit ° F.	Abrasion	Salt Spray	Acetic Acid	Chromic Acid	Hydro-Chloric Acid	Hydro-Fluoric Acid	Nitric Acid	Anodizing Oxalic Acid	Phosphoric Acid	Sulphuric Acid	Sulphurous Acid	Alkaline Cleaning Degreasing
ALUMINUM	200			G	F				G				F
GALV. STEEL	200	U	G										E
CAST IRON	750	G				G		G			G		E
MONEL	600	G	E	F		F	F		E			G	
EVERDUR	600		G	E		G	G	U		G	G		E
STAINLESS	1100	G	E	G	G			G		F	F	G	G
NEOPRENE	175	E		G	E	E		E			E		E
RUBBER	175	E		G	E	E	E					G	
PLASTISOL	175	E	E	G	E	E		E			E	G	E
LITHCOTE LC24	250	E	E	G	F	G	G	G	G	F	G	E	
HERESITE VR500	150	E	G		F	F		G		E	G	G	U
HERESITE BAKED	250	E	E	E	E	G	E	G	E	E	E		G
AMERCOAT 23	180	E	E	G	G	F	U	G		E	G		U
AMERCOAT 33	180	G	E	G	G	F	U	G		G	G		U
AMERCOAT 55	230	F	E	G	G	G	U	G	G	G	G	G	U
BISONITE M	200	E	E	E	E	F	E	G	E	E	E	E	U
PHENOFLEX 957	250	G	E	E	E	G		G	G	E	G	G	E
EISENHEISS	200	E	E	E	E	F	U	E	G	E	E	E	U

E - Excellent G - Good F - Fair U - Unsuitable

NOTE: Consult factory when coatings are to be used in contact with solvents or when high tip speeds are anticipated.

All technical information and recommendations are based on tests we believe to be reliable, but the accuracy thereof is not guaranteed.

SPARK RESISTANT CONSTRUCTION - ARRANGEMENTS 1, 2, 4, 8 and 9

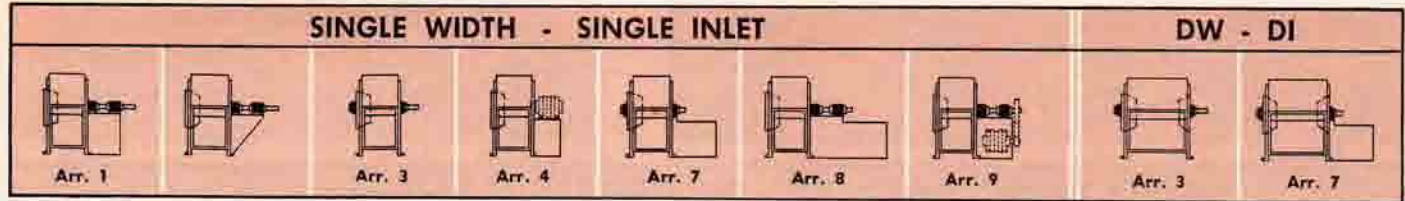
The "standards for spark-resistant fans" as adopted by the Air Moving & Conditioning Assoc. Inc. (AMCA) Standard AS401, are quoted below, together with a description of Sheldon's spark resistant construction:

TYPE A - "All parts of the fan in contact with air or gas being handled shall be made of non-ferrous metal." Construction consists of aluminum wheel, housing and inlet, with monel shaft. All other parts of standard steel construction. (Limited to Class II and/or 200° F. operation).

TYPE B - "Fan shall have an entirely non-ferrous wheel and a non-ferrous ring around the opening through which the shaft passes." Construction consists of aluminum wheel and aluminum shield where shaft passes into fan casing. All other parts of standard steel construction. (Limited to Class II and/or 200° F. operation).

TYPE C - "Fan shall be so constructed that a shift of the wheel or shaft will not permit two ferrous parts to rub or strike." Construction consists of aluminum inlet and aluminum saucer or ring around shaft. All other parts to be of standard steel construction. (Limited to 600° F. operation).

STANDARD ARRANGEMENTS

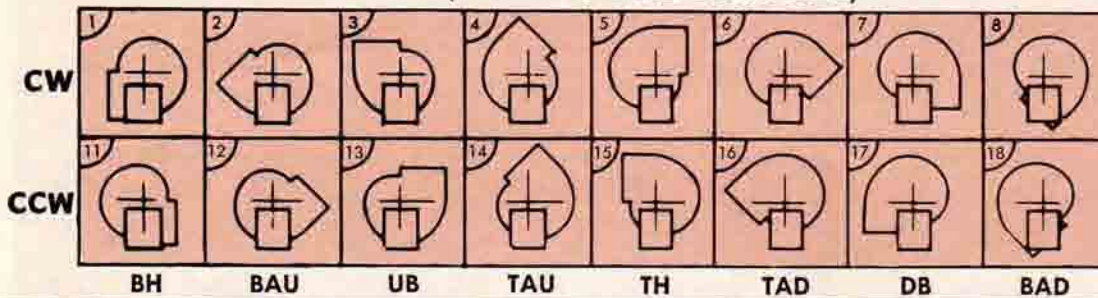


WEIGHTS

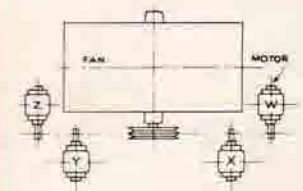
SIZE	SINGLE WIDTH								DOUBLE WIDTH								
	Arr. 1 Class		Arr. 2 Class	Arr. 3 Class		Arr. 4 Class		Arr. 7 Class		Arr. 8 Class		Arr. 9 Class		Arr. 3 Class		Arr. 7 Class	
122	160	170	140	130	150	160	180	200	230	230	270	200	230	160	220	230	290
135	180	220	160	150	180	190	220	240	270	270	350	230	270	200	250	270	330
165	220	270	200	190	220	210	260	290	340	320	420	280	320	230	270	290	370
182	260	320	220	230	270	240	290	340	400	380	470	320	370	260	320	380	450
150	310	380	260	270	320	290	370	380	400	470	530	400	440	330	390	440	510
200	390	430	370	340	370	360	430	460	540	540	660	450	520	400	470	520	620
222	490	570	430	420	460	460	530	500	650	640	780	540	650	520	650	640	780
245	620	730	550	510	570	500	630	660	770	780	880	660	760	670	790	810	920
270	740	880	610	600	680	670	780	780	930	930	1020	780	910	780	980	980	1180
300	950	1080		780	870	820	970	960	1100	1180	1310	950	1090	1100	1280	1310	1500
330	1160	1290		970	1070	1040	1150	1160	1330	1410	1570	1160	1300	1260	1580	1500	1860
365	1340	1550		1090	1270	1210	1340	1350	1580	1640	1900	1350	1580	1500	1900	1800	2100
402	1630	1950		1300	1580			1720	2060	2190	2480	1650	2000	2000	2500	2500	3000
445	2030	2440		1650	1960			2240	2580	2500	3000	2040	2500	2550	3250	2950	3880
490	2550	3030		2090	2450			2690	3190	3150	3800	2570	3050	3200	4100	3850	4700
542	3330	3650		2500	3070			3200	4000	3950	4600	3340	3700	3900	4800	4750	5950
600	4010	4660		3150	3800			4000	4900	4860	5600	4000	4700	4900	6000	5900	7300
660	4810	5810		3950	4800			5150	6150	6110	6800	4850	5900	6500	7700	7450	8800
730	6180	7260		5000	5850			6160	7360	7850	8800	6250	7300	8100	9650	9000	10800
807	8270	9520		6510	8060			8560	10100	10700	12000	8350	9600	10500	15000	12800	16500
890	11100	12150		8570	10700			11700	13750	13000	16000	11500	12500	13500	18500	15800	19800
982	14200	15600		11800	13700			15000	17600	16600	20500	14700	18000	17300	24000	20400	25600

These weights are approximately correct and may be used to calculate vibration isolators and shipping weights.

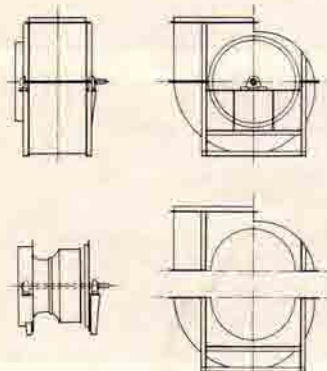
ROTATION AND DISCHARGE (FROM NORMAL DRIVE SIDE)



STANDARD MOTOR POSITIONS



BUILDING OPENINGS REQUIRED FOR ARR. 3 FANS HAVING SPLIT HOUSINGS



Fan Size	SINGLE WIDTH			DOUBLE WIDTH		
	Assembled	Upper Case Removed	Upper Case and Rotor Removed	Assembled	Upper Case Removed	Upper Case and Rotor Removed
490	52 x 100	52 x 88	48 x 60	86 x 100	86 x 88	80 x 60
542	56 x 110	56 x 95	54 x 66	95 x 110	95 x 95	87 x 66
600	62 x 126	62 x 108	58 x 74	106 x 126	106 x 108	98 x 74
660	68 x 136	68 x 117	62 x 80	115 x 136	115 x 117	105 x 80
730	74 x 150	74 x 130	68 x 88	124 x 150	124 x 130	114 x 88
807	82 x 166	82 x 143	74 x 98	138 x 166	138 x 143	124 x 98
890	99 x 182	99 x 150	81 x 111	156 x 182	156 x 150	135 x 111
982	108 x 201	108 x 165	91 x 122	169 x 201	169 x 165	151 x 122

Openings specified above are those required to pass the largest portion of a Top or Bottom Horizontal Discharge Fan.
 Up and Down Discharge Fans require building openings somewhat smaller in size.
 Arr. 1 Fan Openings required will be larger than for Arr. 3 Fans in the case of an assembled or partially assembled fan.

Wheel 12 1/4" Dia.
3.21' Circ.

Outlet 9 5/8 x 13 3/8
0.86 Sq. Ft.

Inlet 16" Dia.
1.36 Sq. Ft.

Max bhp = .062 $\frac{\text{rpm}}{1000}$

CLASS MAX. RPM

I 3120

II 4050

III 5300



122
SWSI

cfm	ov	1/4 SP		3/8 SP		1/2 SP		5/8 SP		3/4 SP		7/8 SP		1 SP		1-1/4 SP		1-1/2 SP	
		rpm	bhp	rpm	bhp	rpm	bhp	rpm	bhp	rpm	bhp	rpm	bhp	rpm	bhp	rpm	bhp	rpm	bhp
774	900	1034	.07	1120	.08	1211	.11	1292	.13	1362	.15	1429	.17	1494	.19	1621	.24	1741	.29
860	1000	1110	.08	1192	.10	1269	.12	1351	.15	1424	.17	1488	.20	1549	.22	1668	.27	1782	.32
946	1100	1187	.10	1264	.12	1336	.14	1408	.17	1482	.19	1551	.22	1610	.25	1722	.30	1829	.36
1032	1200	1266	.12	1340	.14	1409	.17	1472	.19	1539	.22	1608	.25	1672	.28	1781	.34	1883	.39
1118	1300	1347	.14	1417	.17	1482	.19	1546	.22	1602	.24	1665	.27	1728	.31	1844	.37	1942	.43
1204	1400	1428	.17	1495	.19	1559	.22	1617	.25	1676	.28	1727	.31	1786	.34	1903	.41	2005	.48
1290	1500	1509	.19	1575	.23	1636	.25	1692	.28	1748	.32	1801	.35	1849	.37	1958	.45	2066	.52
1376	1600	1603	.23	1656	.26	1714	.29	1769	.32	1821	.36	1873	.39	1923	.42	2019	.49	2121	.57
1462	1700	1698	.28	1737	.30	1792	.33	1847	.37	1898	.40	1946	.43	1995	.47	2084	.54	2178	.62
1548	1800	1790	.32	1818	.34	1873	.38	1924	.41	1975	.45	2022	.49	2067	.52	2158	.60	2241	.67
1634	1900	1883	.38	1906	.39	1955	.43	2004	.46	2052	.50	2099	.54	2143	.58	2230	.66	2311	.73
1720	2000	1976	.43	2003	.45	2036	.48	2084	.52	2130	.56	2176	.60	2220	.64	2302	.72	2385	.80
1892	2200	2162	.57	2188	.59	2207	.61	2247	.65	2290	.69	2332	.73	2374	.78	2454	.87	2528	.96
2064	2400	2348	.72	2374	.75	2398	.78	2410	.79	2454	.84	2493	.89	2532	.94	2608	1.03	2680	1.13
2236	2600	2535	.91	2560	.94	2582	.97	2603	1.00	2615	1.01	2656	1.07	2693	1.12	2764	1.22	2835	1.33
2408	2800	2723	1.13	2746	1.16	2767	1.19	2788	1.22	2805	1.25	2817	1.27	2857	1.33	2924	1.44	2990	1.55
2580	3000	2911	1.37	2933	1.41	2954	1.45	2973	1.48	2992	1.52	3006	1.54	3017	1.56	3087	1.69	3149	1.80
2752	3200	3098	1.66	3120	1.70	3140	1.74	3159	1.77	3177	1.81	3195	1.85	3207	1.87	3250	1.96	3311	2.08
cfm	ov	1-3/4 SP		2 SP		2-1/4 SP		2-1/2 SP		3 SP		3-1/2 SP		4 SP		4-1/2 SP		5 SP	
		rpm	bhp	rpm	bhp	rpm	bhp	rpm	bhp	rpm	bhp	rpm	bhp	rpm	bhp	rpm	bhp	rpm	bhp
1032	1200	1982	.45	2077	.52	2172	.58	2263	.65	2437	.78	2603	.92	2761	1.07	2908	1.23	3048	1.38
1118	1300	2036	.50	2127	.56	2216	.63	2304	.70	2473	.84	2634	.99	2787	1.14	2936	1.30	3075	1.47
1204	1400	2095	.55	2183	.61	2267	.68	2351	.75	2514	.90	2670	1.06	2819	1.22	2962	1.38	3102	1.55
1290	1500	2158	.60	2242	.67	2324	.74	2404	.81	2559	.97	2710	1.13	2855	1.30	2995	1.46	3130	1.64
1376	1600	2219	.65	2304	.73	2384	.80	2460	.88	2609	1.04	2754	1.20	2895	1.38	3032	1.56	3163	1.73
1462	1700	2275	.70	2366	.79	2446	.87	2521	.95	2665	1.11	2804	1.28	2939	1.46	3072	1.65	3201	1.84
1548	1800	2332	.76	2423	.85	2508	.94	2584	1.03	2723	1.20	2858	1.37	2989	1.55	3116	1.74	3242	1.94
1634	1900	2393	.82	2479	.91	2565	1.00	2645	1.10	2785	1.28	2915	1.46	3042	1.65	3166	1.84	3286	2.04
1720	2000	2457	.88	2538	.97	2621	1.07	2702	1.17	2848	1.37	2976	1.56	3099	1.75	3218	1.95	3335	2.16
1892	2200	2604	1.05	2673	1.13	2741	1.23	2815	1.33	2965	1.55	3102	1.77	3219	1.98	3333	2.19	3444	2.40
2064	2400	2748	1.23	2818	1.33	2884	1.42	2944	1.51	3078	1.74	3215	1.98	3344	2.22	3457	2.46	3563	2.68
2236	2600	2901	1.43	2964	1.54	3028	1.64	3092	1.75	3203	1.95	3329	2.20	3457	2.46	3579	2.72	3689	2.98
2408	2800	3055	1.66	3117	1.77	3176	1.89	3235	2.00	3352	2.23	3454	2.44	3572	2.71	3690	2.99	3805	3.27
2580	3000	3211	1.92	3272	2.04	3329	2.16	3385	2.28	3495	2.53	3602	2.77	3697	3.00	3807	3.29	3917	3.58
2752	3200	3369	2.21	3427	2.33	3484	2.46	3539	2.59	3642	2.85	3746	3.11	3846	3.37	3935	3.61	4037	3.92
2924	3400	3531	2.53	3585	2.66	3640	2.80	3693	2.93	3795	3.20	3891	3.48	3990	3.76	4084	4.04	4168	4.29
3096	3600	3694	2.89	3746	3.02	3798	3.16	3849	3.31	3950	3.59	4044	3.88	4134	4.17	4227	4.47	4317	4.77
3268	3800	3856	3.27	3909	3.42	3959	3.57	4007	3.72	4104	4.02	4198	4.32	4286	4.63	4372	4.94	4460	5.25
cfm	ov	5-1/2 SP		6 SP		6-1/2 SP		7 SP		8 SP		9 SP		10 SP		11 SP		12 SP	
		rpm	bhp	rpm	bhp	rpm	bhp	rpm	bhp	rpm	bhp	rpm	bhp	rpm	bhp	rpm	bhp	rpm	bhp
1548	1800	3364	2.14	3483	2.34	3599	2.54	3712	2.74	3932	3.17	4142	3.62	4338	4.09	4526	4.56	4707	5.02
1634	1900	3406	2.25	3521	2.46	3635	2.67	3745	2.88	3961	3.32	4168	3.77	4366	4.24	4554	4.73	4733	5.24
1720	2000	3449	2.36	3564	2.58	3674	2.81	3783	3.03	3993	3.47	4196	3.93	4393	4.41	4581	4.91	4760	5.42
1892	2200	3551	2.62	3658	2.85	3762	3.07	3867	3.31	4068	3.80	4264	4.28	4453	4.78	4635	5.29	4814	5.82
2064	2400	3665	2.91	3767	3.15	3865	3.39	3964	3.63	4155	4.12	4343	4.66	4526	5.19	4702	5.72	4875	6.26
2236	2600	3788	3.23	3885	3.48	3979	3.72	4073	3.98	4255	4.50	4433	5.03	4609	5.59	4779	6.18	4946	6.74
2408	2800	3913	3.56	4010	3.83	4101	4.10	4191	4.36	4366	4.90	4535	5.46	4703	6.03	4866	6.62	5028	7.24
2580	3000	4026	3.88	4131	4.18	4229	4.49	4315	4.78	4484	5.35	4648	5.92	4807	6.52	4964	7.12	5117	7.74
2752	3200	4139	4.22	4242	4.54	4343	4.86	4439	5.19	4609	5.83	4767	6.43	4921	7.03	5072	7.67	5219	8.31
2924	3400	4262	4.61	4356	4.93	4454	5.26	4551	5.60	4733	6.29	4892	6.97	5042	7.61	5186	8.24		
3096	3600	4396	5.04	4481	5.35	4573	5.70	4663	6.04	4845	6.76	5016	7.49	5167	8.20				
3268	3800	4545	5.57	4621	5.86	4697	6.15	4785	6.53	4958	7.26	5129	8.02	5291	8.79				
3440	4000	4688	6.10	4769	6.43	4844	6.74	4914	7.04	5077	7.79	5241	8.58						
3612	4200	4832	6.67	4912	7.02	4990	7.37	5063	7.70	5201	8.35								
3784	4400	4983	7.28	5057	7.64	5133	8.00	5208	8.37										

Shaded Areas correspond to AMCA pressure limitations. Fan structural (RPM) limitations are shown by ----- lines and may be confidently used.



245 SWSI

- CLASS**
- I** 1715
 - II** 2182
 - III** 2730
 - IV** 3120
 - V** 3510
 - VI** 3900

Wheel 24 1/2" Dia.
6.41' Circ.

Outlet 19 1/8 x 26 5/8
3.46 Sq. Ft.

Inlet 29 3/4" Dia.
4.76 Sq. Ft.

Max bhp = 1.70 rpm
1000³

cfm	ov	1/4 SP		1/2 SP		3/4 SP		1 SP		1-1/4 SP		1-1/2 SP		2 SP		2-1/2 SP		3 SP		3-1/2 SP	
		rpm	bhp	rpm	bhp	rpm	bhp	rpm	bhp	rpm	bhp	rpm	bhp	rpm	bhp	rpm	bhp	rpm	bhp	rpm	bhp
3114	900	528	.23	607	.37	665	.50	720	.63	776	.77										
3460	1000	567	.28	644	.44	704	.59	754	.73	803	.87	853	1.02								
3806	1100	607	.34	681	.51	742	.69	792	.84	836	.99	881	1.15	972	1.50						
4152	1200	651	.41	718	.58	779	.78	831	.97	874	1.13	914	1.30	997	1.65						
4498	1300	696	.49	757	.68	817	.88	868	1.09	913	1.29	951	1.47	1027	1.83	1104	2.22				
4844	1400	741	.59	796	.77	853	.99	906	1.21	951	1.45	990	1.65	1061	2.03	1132	2.43	1203	2.86		
5190	1500	787	.69	836	.89	891	1.11	943	1.35	988	1.60	1029	1.84	1098	2.25	1163	2.66	1230	3.11	1297	3.58
5536	1600	833	.82	878	1.01	930	1.25	979	1.50	1025	1.75	1066	2.02	1137	2.50	1199	2.93	1260	3.38	1323	3.86
5882	1700	880	.95	922	1.16	969	1.40	1016	1.66	1063	1.93	1103	2.20	1177	2.76	1237	3.22	1294	3.68	1352	4.16
6228	1800	927	1.11	966	1.32	1009	1.56	1055	1.84	1099	2.11	1141	2.40	1214	3.00	1275	3.53	1331	4.01	1385	4.50
6574	1900	974	1.27	1012	1.50	1050	1.74	1094	2.03	1136	2.31	1178	2.62	1251	3.24	1315	3.86	1369	4.37	1421	4.88
6920	2000	1022	1.46	1057	1.70	1093	1.94	1133	2.23	1175	2.54	1214	2.84	1288	3.48	1352	4.15	1408	4.74	1459	5.28
7612	2200	1117	1.89	1150	2.15	1181	2.41	1215	2.70	1253	3.03	1290	3.36	1362	4.05	1427	4.75	1485	5.49	1537	6.16
8304	2400	1213	2.41	1243	2.69	1273	2.97	1302	3.26	1334	3.59	1368	3.95	1436	4.67	1502	5.44	1559	6.21	1612	7.01
8996	2600	1310	3.02	1337	3.31	1364	3.62	1391	3.92	1418	4.24	1449	4.61	1513	5.40	1574	6.18	1634	7.03	1687	7.86
9688	2800	1407	3.72	1431	4.02	1457	4.36	1483	4.69	1507	5.02	1533	5.37	1591	6.20	1650	7.05	1706	7.90	1762	8.81
10380	3000	1504	4.53	1526	4.84	1550	5.19	1574	5.56	1598	5.91	1621	6.27	1672	7.09	1728	8.00	1782	8.90	1834	9.83
11072	3200	1602	5.45	1622	5.79	1645	6.15	1667	6.53	1689	6.91	1711	7.29	1755	8.08	1807	9.03	1859	10.00	1909	11.00
11764	3400	1699	6.49	1719	6.85	1739	7.22	1761	7.63	1781	8.03	1802	8.44	1843	9.25	1888	10.2	1937	11.2	1986	12.2
12456	3600	1797	7.65	1816	8.04	1834	8.42	1855	8.86	1874	9.27	1894	9.71	1933	10.6	1972	11.4	2018	12.5	2064	13.6
13148	3800	1894	8.95	1912	9.36	1930	9.76	1949	10.2	1968	10.7	1986	11.1	2024	12.0	2060	12.9	2100	13.9	2144	15.1
cfm	ov	4 SP		4-1/2 SP		5 SP		5-1/2 SP		6 SP		7 SP		8 SP		9 SP		10 SP		11 SP	
		rpm	bhp	rpm	bhp	rpm	bhp	rpm	bhp	rpm	bhp	rpm	bhp	rpm	bhp	rpm	bhp	rpm	bhp	rpm	bhp
6228	1800	1440	5.03	1496	5.57	1552	6.14														
6574	1900	1472	5.40	1525	5.96	1577	6.53	1630	7.13												
6920	2000	1508	5.82	1557	6.38	1607	6.97	1656	7.57	1707	8.19										
7612	2200	1583	6.75	1628	7.34	1673	7.94	1717	8.56	1763	9.21	1854	10.5	1944	12.0						
8304	2400	1652	7.79	1705	8.42	1747	9.08	1788	9.72	1829	10.4	1911	11.8	1994	13.2	2078	14.7				
8996	2600	1736	8.73	1783	9.59	1825	10.3	1865	11.0	1903	11.7	1978	13.1	2054	14.6	2131	16.2	2208	17.8	2285	19.4
9688	2800	1811	9.70	1857	10.6	1902	11.6	1943	12.5	1980	13.2	2052	14.7	2122	16.2	2192	17.8	2263	19.5	2335	21.2
10380	3000	1887	10.8	1932	11.7	1976	12.8	2018	13.8	2058	14.7	2130	16.4	2196	18.0	2262	19.6	2327	21.3	2393	23.1
11072	3200	1958	12.0	2007	13.0	2051	14.0	2092	15.1	2132	16.2	2208	18.3	2274	20.0	2336	21.7	2398	23.4	2459	25.2
11764	3400	2033	13.2	2079	14.3	2126	15.4	2167	16.5	2207	17.6	2282	19.9	2353	22.1	2414	23.9	2473	25.7	2531	27.6
12456	3600	2110	14.7	2154	15.8	2197	16.9	2242	18.1	2282	19.2	2357	21.6	2427	24.0	2493	26.3	2551	28.2	2607	30.1
13148	3800	2187	16.2	2231	17.4	2272	18.5	2314	19.7	2356	21.0	2432	23.3	2501	25.9	2568	28.4	2630	30.9	2685	32.9
13840	4000	2267	17.9	2308	19.1	2349	20.3	2389	21.5	2428	22.7	2507	25.3	2576	27.8	2641	30.6	2704	33.2	2764	35.8
14532	4200	2347	19.6	2387	20.9	2427	22.2	2466	23.5	2503	24.7	2579	27.4	2652	30.1	2717	32.7	2778	35.6	2838	38.4
15224	4400	2429	21.6	2467	22.9	2505	24.2	2543	25.6	2581	26.9	2652	29.5	2725	32.4	2792	35.1	2853	38.0	2912	41.0
15916	4600	2515	23.7	2549	25.0	2586	26.4	2622	27.8	2658	29.2	2728	31.9	2797	34.8	2866	37.8	2928	40.6	2987	43.7
16608	4800	2603	26.1	2633	27.3	2667	28.7	2702	30.1	2737	31.6	2806	34.5	2871	37.4	2937	40.4	3003	43.5	3062	46.5
17300	5000	2692	28.6	2721	29.8	2750	31.2	2783	32.6	2817	34.1	2883	37.2	2949	40.2	3011	43.2	3075	46.4	3137	49.7
cfm	ov	12 SP		13 SP		14 SP		15 SP		16 SP		17 SP		18 SP		19 SP		20 SP		22 SP	
		rpm	bhp	rpm	bhp	rpm	bhp	rpm	bhp	rpm	bhp	rpm	bhp	rpm	bhp	rpm	bhp	rpm	bhp	rpm	bhp
9688	2800	2407	22.9	2477	24.7	2544	26.6	2619	28.6	2699	30.6										
10380	3000	2460	24.9	2527	26.7	2594	28.6	2659	30.6												
11072	3200	2521	27.0	2583	28.9	2645	30.9	2708	32.8	2771	34.9	2833	37.0								
11764	3400	2589	29.4	2646	31.3	2705	33.3	2763	35.3	2822	37.4	2881	39.5	2941	41.7						
12456	3600	2662	32.1	2716	34.0	2770	36.0	2825	38.1	2881	40.2	2936	42.4	2992	44.5	3048	46.8	3103	49.1		
13148	3800	2738	34.9	2791	37.0	2842	39.0	2894	41.1	2945	43.2	2997	45.4	3050	47.7	3102	49.9	3155	52.3	3261	57.0
13840	4000	2817	38.0	2868	40.1	2917	42.3	2967	44.4	3016	46.6	3064	48.8	3113	51.0	3163	53.4	3213	55.8	3313	60.6
14532	4200	2895	41.1	2946	43.4	2995	45.7	3043	47.9	3090	50.2	3137	52.4	3183	54.8	3229	57.1	3276	59.5	3371	64.4
15224	4400	2969	43.9	3024	46.8	3074	49.3	3121	51.6	3167	54.0	3212	56.4	3257	58.7	3301	61.1	3346	63.6	3435	68.5
15916	4600	3043	46.8	3098	49.8	3151	52.8	3200	55.6	3245	58.1	3289	60.5	3333	63.0	3376	65.5	3419	67.9	3504	73.0
16608	4800	3118	49.7	3172	52.9	3225	56.1	3276	59.3	3324	62.4	3368	64.9	3411	67.4	3453	70.0	3494	72.6	3577	77.8
17300	5000	3193	52.7	3247	56.1	3299	59.5	3349	62.8	3399	66.1	3446	69.3	3490	72.1	3531	74.8	3572	77.5	3652	82.9
17992	5200	3269</																			

Wheel 27" Dia.
7.07' Circ.

Outlet 21 x 29 1/2
4.20 Sq. Ft.

Inlet 33 3/4" Dia.
5.94 Sq. Ft.

Max bhp = 2.76 $\frac{\text{rpm}}{1000}$ ³

CLASS MAX. RPM

- I 1556
- II 1980
- III 2476
- IV 2829
- V 3180
- VI 3540



TYPE

A



cfm	ov	1/4 SP		1/2 SP		3/4 SP		1 SP		1-1/4 SP		1-1/2 SP		2 SP		2-1/2 SP		3 SP		3-1/2 SP	
		rpm	bhp	rpm	bhp	rpm	bhp	rpm	bhp	rpm	bhp	rpm	bhp	rpm	bhp	rpm	bhp	rpm	bhp	rpm	bhp
3780	900	479	.28	551	.45	604	.61	654	.76	704	.93										
4200	1000	514	.34	584	.53	639	.72	684	.88	729	1.06	774	1.24								
4620	1100	551	.41	618	.61	674	.83	718	1.02	759	1.21	800	1.40	882	1.81						
5040	1200	591	.49	651	.71	707	.94	754	1.18	793	1.38	830	1.57	905	2.00						
5460	1300	631	.60	686	.82	742	1.07	788	1.32	828	1.57	863	1.78	932	2.22	1002	2.70				
5880	1400	673	.71	722	.94	774	1.20	822	1.47	863	1.76	899	2.00	963	2.46	1027	2.95	1092	3.48		
6300	1500	714	.84	759	1.08	808	1.35	856	1.64	896	1.94	934	2.24	996	2.74	1056	3.23	1116	3.77	1177	4.34
6720	1600	756	.99	796	1.23	843	1.52	888	1.82	930	2.12	967	2.45	1032	3.03	1088	3.55	1144	4.10	1200	4.68
7140	1700	799	1.16	836	1.40	879	1.70	922	2.01	965	2.34	1001	2.67	1068	3.36	1122	3.91	1174	4.47	1227	5.06
7560	1800	842	1.34	877	1.60	915	1.90	957	2.23	997	2.56	1035	2.91	1101	3.64	1157	4.28	1208	4.87	1257	5.47
7980	1900	884	1.55	918	1.82	953	2.11	992	2.46	1031	2.81	1069	3.18	1135	3.93	1193	4.69	1242	5.30	1290	5.92
8400	2000	927	1.77	960	2.06	991	2.36	1028	2.71	1066	3.08	1102	3.45	1169	4.22	1227	5.04	1278	5.76	1324	6.41
9240	2200	1014	2.30	1043	2.61	1072	2.93	1102	3.27	1137	3.67	1171	4.08	1236	4.92	1294	5.77	1347	6.66	1395	7.48
10080	2400	1101	2.92	1128	3.26	1155	3.61	1181	3.95	1210	4.35	1242	4.79	1303	5.67	1363	6.61	1415	7.54	1463	8.51
10920	2600	1189	3.66	1213	4.01	1238	4.39	1262	4.76	1287	5.15	1315	5.59	1373	6.56	1428	7.51	1483	8.53	1531	9.54
11760	2800	1277	4.52	1299	4.88	1322	5.29	1345	5.69	1368	6.09	1391	6.52	1444	7.52	1497	8.56	1548	9.59	1599	10.7
12600	3000	1365	5.50	1385	5.88	1407	6.30	1429	6.75	1450	7.18	1471	7.61	1517	8.60	1568	9.71	1617	10.8	1664	11.9
13440	3200	1453	6.61	1472	7.02	1493	7.47	1512	7.93	1533	8.39	1553	8.85	1593	9.81	1640	11.0	1687	12.2	1732	13.3
14280	3400	1542	7.87	1560	8.31	1578	8.77	1598	9.27	1616	9.75	1635	10.2	1673	11.2	1714	12.4	1758	13.6	1802	14.9
15120	3600	1630	9.29	1648	9.76	1664	10.2	1683	10.7	1700	11.3	1719	11.8	1754	12.8	1790	13.9	1831	15.2	1873	16.5
15960	3800	1719	10.9	1735	11.4	1751	11.8	1768	12.4	1786	12.9	1802	13.5	1836	14.6	1870	15.7	1905	16.9	1945	18.3
cfm	ov	4 SP		4-1/2 SP		5 SP		5-1/2 SP		6 SP		7 SP		8 SP		9 SP		10 SP		11 SP	
		rpm	bhp	rpm	bhp	rpm	bhp	rpm	bhp	rpm	bhp	rpm	bhp	rpm	bhp	rpm	bhp	rpm	bhp	rpm	bhp
7560	1800	1307	6.10	1357	6.76	1408	7.45	1459	8.15	1510	8.85	1561	9.55								
7980	1900	1336	6.56	1384	7.24	1431	7.93	1479	8.65	1529	9.35	1579	10.05								
8400	2000	1368	7.07	1413	7.74	1458	8.46	1503	9.19	1549	9.95	1595	10.7								
9240	2200	1437	8.20	1478	8.91	1518	9.64	1558	10.4	1600	11.2	1642	12.0	1764	14.5						
10080	2400	1508	9.46	1547	10.2	1585	11.0	1623	11.8	1660	12.6	1700	13.4	1810	16.0	1886	17.9				
10920	2600	1575	10.6	1618	11.6	1656	12.5	1692	13.4	1727	14.2	1765	15.1	1864	17.7	1933	19.6	2004	21.6	2073	23.6
11760	2800	1643	11.8	1685	12.9	1726	14.1	1763	15.1	1797	16.0	1862	17.8	1926	19.7	1989	21.6	2054	23.6	2119	25.7
12600	3000	1712	13.1	1753	14.3	1793	15.5	1831	16.7	1868	17.9	1932	19.9	1993	21.9	2052	23.9	2111	25.9	2172	28.0
13440	3200	1777	14.5	1822	15.8	1861	17.0	1899	18.3	1936	19.6	2004	22.2	2063	24.3	2120	26.3	2176	28.4	2231	30.6
14280	3400	1845	16.1	1887	17.4	1929	18.7	1967	20.0	2003	21.4	2071	24.1	2135	26.8	2190	29.0	2244	31.2	2297	33.5
15120	3600	1915	17.8	1954	19.1	1994	20.5	2034	22.0	2071	23.3	2138	26.2	2202	29.1	2262	31.9	2315	34.2	2366	36.6
15960	3800	1985	19.7	2024	21.1	2062	22.5	2099	23.9	2138	25.4	2206	28.3	2270	31.4	2330	34.5	2387	37.5	2436	39.9
16800	4000	2057	21.7	2095	23.2	2132	24.7	2168	26.1	2203	27.6	2275	30.8	2338	33.8	2397	37.1	2454	40.3	2508	43.5
17640	4200	2130	23.8	2166	25.4	2202	27.0	2238	28.5	2272	30.0	2340	33.2	2406	36.5	2465	39.7	2521	43.2	2575	46.6
18480	4400	2204	26.2	2239	27.8	2273	29.4	2308	31.0	2342	32.7	2406	35.8	2473	39.3	2533	42.7	2589	46.1	2642	49.8
19320	4600	2282	28.8	2313	30.3	2346	32.0	2379	33.7	2412	35.4	2476	38.8	2538	42.2	2601	45.9	2657	49.3	2710	53.0
20160	4800	2362	31.6	2389	33.1	2420	34.8	2452	36.6	2483	38.3	2546	41.9	2606	45.4	2665	49.0	2725	52.8	2778	56.4
21000	5000	2443	34.7	2469	36.2	2495	37.8	2525	39.6	2556	41.4	2616	45.2	2676	48.8	2732	52.4	2790	56.4	2847	60.3
cfm	ov	12 SP		13 SP		14 SP		15 SP		16 SP		17 SP		18 SP		19 SP		20 SP		22 SP	
		rpm	bhp	rpm	bhp	rpm	bhp	rpm	bhp	rpm	bhp	rpm	bhp	rpm	bhp	rpm	bhp	rpm	bhp	rpm	bhp
11760	2800	2184	27.8	2248	30.0	2303	34.7	2413	37.1												
12600	3000	2232	30.2	2293	32.4	2353	37.5	2457	39.9	2514	42.3	2570	44.9								
13440	3200	2287	32.8	2344	35.1	2400	40.4	2507	42.9	2561	45.4	2615	48.0	2668	50.6	2715	53.1	2765	55.6	2816	59.6
14280	3400	2349	35.7	2401	38.0	2454	43.7	2564	46.2	2614	48.8	2664	51.4	2715	54.1	2765	56.6	2816	59.6	2863	63.4
15120	3600	2415	38.9	2465	41.3	2514	47.4	2626	49.9	2672	52.5	2720	55.1	2768	57.9	2815	60.6	2863	63.4	2909	69.2
15960	3800	2485	42.4	2532	44.9	2579	47.4	2692	53.9	2736	56.5	2780	59.2	2825	62.0	2870	64.8	2916	67.7	3008	73.5
16800	4000	2556	46.1	2602	48.7	2647	51.3	2692	53.9	2736	56.5	2780	59.2	2825	62.0	2870	64.8	2916	67.7	3008	73.5
17640	4200	2627	49.9	2673	52.7	2718	55.4	2761	58.2	2804	60.9	2845	63.7	2888	66.5	2930	69.3	2973	72.2	3069	78.2
18480	4400	2694	53.3	2744	56.8	2789	59.9	2832	62.7	2874	65.6	2914	68.4	2955	71.3	2995	74.2	3036	77.1	3117	83.1
19320	4600	2761	56.8	2811	60.5	2859	64.1	2903	67.5	2945	70.5	2985	73.5	3024	76.5	3063	79.5	3102	82.5	3179	88.6
20160	4800	2829	60.3	2878	64.3	2926	68.1	2972	71.9	3017	75.7	3056	78.7	3095	81.9	3133	85.0	3171	88.2	3245	94.4
21000	5000	2897	64.0	2946	68.1	2993	72.2	3039	76.2	3084	80.2	3127	84.2	3166	87.6	3204	90.8	3241	94.1	3314	101
21840	5200	2966	68.3	3014	72.1	3061	76.3	3107	80.7	3151	84.8	3195	89.0	3237	93.1	3276	97.0	3312	100	3384	107
22680	5400	3032	72.5	3083	76.7	3129	80.7	3175	85.0	3218	89.5	3261	93.9	3304	98.2	3344	102	3384	107	3455	114
23520	5600	3097	76.7	3149	81.3	3198	85.8	3243	89.7	3287	94.2	3329	98.5	3370	103	3412	108	3452	112	3527	121
24360	5800	3164	81.4	3214	85.8	3264	90.5	3312	95.0	3354	99.3	3397	104	3438	109	3478	113	3518	118		
25200	6000	3233	86.4	3281	90.8	3329	95.3	3378	100	3424	105	3465	109	3506	114						
26040	6200	3304	91.8	3350	96.2	3395	101	3442	106	34											



TYPE

A

CLASS

MAX. RPM

Wheel

30" Dia.
7.85' Circ.

Outlet

23 3/4 x 32 3/8
5.15 Sq. Ft.

Inlet

36 1/4" Dia.
7.07 Sq. Ft.

300
SWSI

- I 1400
- II 1784
- III 2230
- IV 2548
- V 2865
- VI 3185

Max bhp = 4.68 ^{rpm} / 1000

cfm	ov	1/4 SP		1/2 SP		3/4 SP		1 SP		1-1/4 SP		1-1/2 SP		2 SP		2-1/2 SP		3 SP		3-1/2 SP	
		rpm	bhp	rpm	bhp	rpm	bhp	rpm	bhp	rpm	bhp	rpm	bhp	rpm	bhp	rpm	bhp	rpm	bhp	rpm	bhp
4635	900	431	.34	496	.56	543	.75	588	.94	634	1.14										
5150	1000	463	.42	526	.65	575	.88	616	1.08	656	1.30	697	1.52								
5665	1100	496	.50	556	.75	606	1.02	647	1.26	683	1.48	720	1.71	794	2.23						
6180	1200	531	.61	586	.87	637	1.16	679	1.45	713	1.69	747	1.93	814	2.46						
6695	1300	568	.73	618	1.01	667	1.31	709	1.62	745	1.92	777	2.18	839	2.72	902	3.31				
7210	1400	605	.87	650	1.15	697	1.47	740	1.81	777	2.15	809	2.46	867	3.02	924	3.62	983	4.26		
7725	1500	643	1.03	683	1.32	728	1.66	770	2.01	807	2.38	841	2.74	897	3.35	950	3.97	1004	4.63	1059	5.32
8240	1600	681	1.21	717	1.50	759	1.86	800	2.23	837	2.61	871	3.01	928	3.72	979	4.36	1029	5.03	1080	5.74
8755	1700	719	1.42	753	1.72	791	2.08	830	2.47	868	2.87	901	3.28	961	4.11	1010	4.79	1057	5.48	1104	6.20
9270	1800	757	1.65	789	1.96	824	2.33	862	2.74	897	3.14	932	3.57	991	4.46	1042	5.25	1087	5.97	1131	6.70
9785	1900	796	1.90	826	2.23	857	2.59	893	3.02	928	3.44	962	3.90	1021	4.82	1074	5.75	1118	6.50	1161	7.26
10300	2000	834	2.17	864	2.53	892	2.89	926	3.32	959	3.78	991	4.23	1052	5.18	1104	6.18	1150	7.06	1191	7.86
11330	2200	912	2.82	939	3.20	965	3.59	992	4.01	1023	4.50	1054	5.01	1113	6.03	1165	7.07	1212	8.17	1255	9.17
12360	2400	991	3.59	1015	4.00	1039	4.42	1063	4.85	1089	5.34	1117	5.87	1173	6.95	1226	8.10	1273	9.24	1317	10.4
13390	2600	1070	4.49	1092	4.92	1114	5.38	1138	5.84	1158	6.31	1183	6.86	1236	8.04	1285	9.20	1335	10.5	1378	11.7
14420	2800	1149	5.54	1169	5.99	1190	6.48	1211	6.98	1231	7.47	1252	7.99	1300	9.22	1348	10.5	1393	11.8	1439	13.1
15450	3000	1229	6.74	1247	7.21	1266	7.73	1286	8.27	1305	8.80	1324	9.33	1366	10.5	1411	11.9	1455	13.2	1498	14.6
16480	3200	1308	8.11	1325	8.61	1343	9.16	1361	9.72	1380	10.3	1397	10.9	1433	12.0	1476	13.4	1518	14.9	1559	16.3
17510	3400	1388	9.65	1404	10.2	1420	10.8	1438	11.4	1455	12.0	1472	12.6	1505	13.8	1542	15.1	1582	16.7	1622	18.2
18540	3600	1467	11.4	1483	12.0	1498	12.5	1515	13.2	1530	13.8	1547	14.4	1578	15.7	1611	17.0	1648	18.6	1686	20.2
19570	3800	1547	13.3	1562	13.9	1576	14.5	1592	15.2	1607	15.9	1622	16.5	1653	17.9	1683	19.2	1715	20.7	1751	22.4
cfm	ov	4 SP		4-1/2 SP		5 SP		5-1/2 SP		6 SP		7 SP		8 SP		9 SP		10 SP		11 SP	
		rpm	bhp	rpm	bhp	rpm	bhp	rpm	bhp	rpm	bhp	rpm	bhp	rpm	bhp	rpm	bhp	rpm	bhp	rpm	bhp
9270	1800	1176	7.48	1222	8.29	1267	9.13														
9785	1900	1203	8.04	1245	8.87	1288	9.72	1332	10.6												
10300	2000	1231	8.67	1271	9.50	1312	10.4	1353	11.3	1394	12.2										
11330	2200	1293	10.0	1330	10.9	1366	11.8	1403	12.7	1440	13.7	1514	15.7	1588	17.5						
12360	2400	1357	11.6	1393	12.5	1427	13.5	1460	14.5	1494	15.4	1561	17.5	1629	19.6	1697	21.9				
13390	2600	1418	13.0	1456	14.3	1491	15.4	1523	16.4	1554	17.4	1616	19.6	1677	21.8	1740	24.1	1803	26.5	1866	28.9
14420	2800	1479	14.4	1517	15.8	1553	17.2	1587	18.5	1617	19.6	1676	21.9	1733	24.1	1790	26.5	1848	29.0	1907	31.5
15450	3000	1541	16.1	1578	17.5	1614	19.0	1648	20.5	1681	21.9	1739	24.6	1794	26.8	1847	29.2	1900	31.7	1954	34.3
16480	3200	1599	17.8	1639	19.4	1675	20.8	1709	22.5	1741	24.0	1804	27.2	1857	29.7	1908	32.3	1958	34.9	2008	37.5
17510	3400	1660	19.7	1698	21.3	1736	23.0	1770	24.5	1802	26.2	1864	29.6	1922	32.9	1971	35.5	2020	38.3	2067	41.0
18540	3600	1723	21.9	1759	23.5	1795	25.1	1831	26.9	1864	28.6	1925	32.1	1982	35.7	2036	39.2	2083	42.0	2129	44.9
19570	3800	1786	24.2	1822	25.9	1856	27.5	1889	29.3	1924	31.2	1986	34.7	2043	38.6	2097	42.3	2148	46.0	2193	49.0
20600	4000	1851	26.6	1885	28.4	1919	30.2	1951	32.0	1983	33.8	2047	37.7	2104	41.4	2157	45.5	2209	49.4	2257	53.3
21630	4200	1917	29.2	1949	31.1	1982	33.0	2014	35.0	2045	36.8	2108	40.7	2165	44.7	2219	48.7	2269	53.0	2318	57.1
22660	4400	1984	32.1	2015	34.0	2046	36.0	2077	38.0	2108	40.0	2168	43.9	2225	48.2	2280	52.3	2330	56.6	2378	61.0
23690	4600	2054	35.3	2082	37.2	2112	39.2	2141	41.3	2171	43.4	2228	47.5	2284	51.7	2341	56.2	2391	60.5	2439	65.0
24720	4800	2126	38.8	2150	40.6	2178	42.7	2207	44.8	2235	47.0	2291	51.4	2345	55.8	2399	60.1	2453	64.8	2500	69.2
25750	5000	2199	42.6	2222	44.4	2246	46.4	2273	48.6	2300	50.8	2355	55.4	2408	59.9	2459	64.3	2511	69.1	2562	73.9
cfm	ov	12 SP		13 SP		14 SP		15 SP		16 SP		17 SP		18 SP		19 SP		20 SP		22 SP	
		rpm	bhp	rpm	bhp	rpm	bhp	rpm	bhp	rpm	bhp	rpm	bhp	rpm	bhp	rpm	bhp	rpm	bhp	rpm	bhp
14420	2800	1966	34.1	2023	36.8																
15450	3000	2009	37.0	2063	39.8	2118	42.6	2172	45.5												
16480	3200	2059	40.2	2109	43.1	2160	45.9	2212	48.9	2263	51.9	2313	55.0								
17510	3400	2114	43.8	2161	46.6	2209	49.5	2257	52.6	2305	55.7	2353	58.8	2401	62.1						
18540	3600	2174	47.7	2218	50.7	2262	53.6	2307	56.7	2353	59.8	2398	63.0	2443	66.3	2489	69.6	2535	73.1		
19570	3800	2236	52.0	2279	55.0	2321	58.1	2363	61.2	2405	64.3	2448	67.6	2491	71.0	2533	74.3	2576	77.8	2663	84.9
20600	4000	2300	56.5	2342	59.7	2383	62.9	2423	66.1	2463	69.3	2502	72.6	2543	76.0	2583	79.4	2624	83.0	2705	90.1
21630	4200	2364	61.2	2406	64.8	2446	68.0	2485	71.3	2523	74.7	2562	78.1	2600	81.5	2637	85.0	2676	88.5	2753	95.9
22660	4400	2425	65.4	2470	69.6	2510	73.4	2549	76.9	2588	80.4	2623	83.9	2660	87.4	2696	91.0	2732	94.6	2805	102
23690	4600	2485	69.6	2530	74.2	2573	78.6	2613	82.8	2650	86.4	2686	90.1	2722	93.8	2757	97.4	2792	101	2861	109
24720	4800	2546	74.0	2590	78.8	2634	83.5	2675	88.2	2715	92.8	2750	96.6	2785	100	2820	104	2854	108	2921	116
25750	5000	2608	78.5	2652	83.5	2694	88.5	2735	93.4	2776	98.4	2815									



TYPE

A

CLASS

MAX. RPM

Wheel

36 1/2" Dia.
9.56' Circ.

Outlet

28 3/8 x 39 3/8
7.66 Sq. Ft.

Inlet

42 3/4" Dia.
9.85 Sq. Ft.

365
SWSI

- I
- II
- III
- IV
- V
- VI

- 1153
- 1462
- 1833
- 2097
- 2354
- 2615

Max bhp = 12.6 rpm
1000

cfm	ov	1/4 SP		1/2 SP		3/4 SP		1 SP		1-1/4 SP		1-1/2 SP		2 SP		2-1/2 SP		3 SP		3-1/2 SP	
		rpm	bhp	rpm	bhp	rpm	bhp	rpm	bhp	rpm	bhp	rpm	bhp	rpm	bhp	rpm	bhp	rpm	bhp	rpm	bhp
6894	900	340	.44	389	.72	432	1.01	471	1.29	510	1.61	560	2.14	641	3.17						
7660	1000	368	.55	412	.84	454	1.16	491	1.48	526	1.79	577	2.37								
8426	1100	394	.65	435	.97	476	1.32	512	1.68	545	2.02										
9192	1200	421	.78	460	1.12	498	1.50	534	1.88	566	2.27	596	2.64	654	3.41						
9958	1300	449	.92	488	1.30	522	1.69	556	2.11	588	2.52	617	2.94	671	3.75	725	4.63	791	6.00		
10724	1400	477	1.09	516	1.51	546	1.90	579	2.35	610	2.79	638	3.24	691	4.13						
11490	1500	506	1.27	543	1.72	572	2.14	602	2.59	632	3.08	660	3.56	712	4.53	760	5.46	805	6.41	853	7.51
12256	1600	534	1.48	569	1.95	600	2.42	626	2.88	655	3.38	683	3.90	734	4.92	780	5.94	824	6.93	867	7.96
13022	1700	563	1.71	596	2.20	628	2.73	652	3.19	679	3.70	706	4.26	756	5.34	801	6.44	843	7.49	884	8.56
13788	1800	593	1.98	624	2.48	656	3.05	679	3.54	703	4.06	729	4.62	778	5.79	823	6.94	864	8.10	904	9.21
14554	1900	623	2.28	652	2.80	682	3.37	707	3.94	729	4.45	753	5.03	800	6.25	845	7.46	885	8.68	924	9.89
15320	2000	653	2.61	680	3.14	708	3.73	736	4.36	756	4.89	777	5.47	823	6.73	867	8.01	907	9.29	945	10.6
16852	2200	714	3.35	738	3.92	763	4.54	789	5.22	812	5.90	830	6.47	871	7.77	912	9.19	952	10.6	989	12.0
18384	2400	774	4.22	795	4.83	819	5.51	842	6.20	866	6.97	887	7.70	921	8.99	959	10.4	997	12.0	1033	13.5
19916	2600	835	5.25	855	5.93	876	6.62	898	7.36	919	8.13	941	8.97	975	10.4	1008	11.9	1044	13.5	1079	15.2
21448	2800	897	6.45	916	7.18	934	7.89	954	8.69	974	9.48	994	10.3	1033	12.1	1061	13.6	1092	15.2	1125	16.9
22980	3000	958	7.83	976	8.60	992	9.34	1011	10.2	1030	11.0	1048	11.9	1086	13.8	1117	15.5	1144	17.1	1174	18.9
24512	3200	1020	9.40	1036	10.2	1052	11.0	1069	11.9	1087	12.8	1104	13.7	1139	15.6	1174	17.7	1199	19.3	1225	21.1
26044	3400	1082	11.2	1097	12.0	1113	12.9	1127	13.7	1144	14.7	1160	15.6	1193	17.6	1227	19.8	1256	21.9	1279	23.6
27576	3600	1144	13.2	1158	14.0	1173	15.0	1187	15.9	1202	16.8	1217	17.8	1248	19.9	1279	22.0	1311	24.4	1335	26.5
29108	3800	1206	15.4	1219	16.3	1233	17.3	1247	18.3	1263	19.1	1275	20.3	1304	22.4	1333	24.6	1363	27.0	1393	29.4
cfm	ov	4 SP		4-1/2 SP		5 SP		5-1/2 SP		6 SP		7 SP		8 SP		9 SP		10 SP		11 SP	
		rpm	bhp	rpm	bhp	rpm	bhp	rpm	bhp	rpm	bhp	rpm	bhp	rpm	bhp	rpm	bhp	rpm	bhp	rpm	bhp
13788	1800	942	10.3	980	11.5	1020	12.9														
14554	1900	962	11.1	998	12.3	1034	13.5	1071	14.9												
15320	2000	981	11.8	1017	13.1	1051	14.3	1085	15.6	1121	17.1										
16852	2200	1024	13.4	1057	14.8	1090	16.2	1122	17.6	1153	19.0	1216	21.9	1282	25.3						
18384	2400	1068	15.1	1100	16.6	1132	18.2	1162	19.7	1192	21.1	1250	24.1	1307	27.3	1367	30.9				
19916	2600	1112	16.9	1144	18.5	1175	20.2	1205	21.9	1234	23.5	1289	26.8	1343	30.0	1395	33.3	1449	37.0	1505	41.1
21448	2800	1158	18.8	1189	20.6	1220	22.3	1249	24.1	1277	25.9	1331	29.6	1382	33.0	1433	36.5	1481	40.0	1530	43.8
22980	3000	1204	20.8	1235	22.7	1264	24.6	1293	26.6	1321	28.5	1374	32.3	1424	36.2	1472	39.9	1519	43.7	1565	47.4
24512	3200	1253	23.0	1282	25.0	1310	27.1	1338	29.1	1366	31.2	1418	35.3	1457	39.4	1514	43.5	1559	47.5	1604	51.5
26044	3400	1304	25.5	1330	27.5	1358	29.6	1384	31.8	1411	34.0	1452	38.4	1511	42.7	1557	47.1	1602	51.5	1645	55.8
27576	3600	1358	28.3	1381	30.3	1406	32.5	1432	34.7	1457	37.0	1508	41.7	1556	46.3	1601	50.9	1645	55.5	1687	60.1
29108	3800	1415	31.5	1435	33.5	1458	35.6	1481	37.9	1505	40.2	1554	45.0	1601	50.0	1646	54.8	1689	59.7	1731	64.6
30640	4000	1472	34.9	1492	37.0	1511	39.1	1533	41.4	1555	43.7	1601	48.6	1647	53.8	1691	59.0	1734	64.1	1775	69.2
32172	4200	1525	38.3	1549	40.8	1568	43.0	1586	45.2	1606	47.6	1649	52.6	1693	57.8	1737	63.3	1779	68.7	1819	74.1
33704	4400	1577	41.8	1604	44.7	1625	47.2	1643	49.5	1661	51.8	1700	56.9	1741	62.2	1783	67.7	1824	73.5	1864	79.1
35236	4600	1630	45.5	1656	48.5	1680	51.5	1700	54.2	1717	56.5	1752	61.4	1791	66.9	1831	72.5	1870	78.3	1910	84.4
36768	4800	1685	49.6	1708	52.6	1732	55.7	1756	58.8	1774	61.6	1807	66.5	1842	71.9	1879	77.6	1918	83.6	1956	89.7
38300	5000	1740	54.1	1762	57.1	1785	60.2	1808	63.3	1830	66.7	1864	72.1	1895	77.4	1930	83.2	1967	89.2	2003	95.4
cfm	ov	12 SP		13 SP		14 SP		15 SP		16 SP		17 SP		18 SP		19 SP		20 SP		22 SP	
		rpm	bhp	rpm	bhp	rpm	bhp	rpm	bhp	rpm	bhp	rpm	bhp	rpm	bhp	rpm	bhp	rpm	bhp	rpm	bhp
21448	2800	1581	48.0	1634	52.4																
22980	3000	1611	51.3	1657	55.5	1705	60.1	1754	64.9												
24512	3200	1648	55.5	1690	59.5	1733	63.7	1777	68.3	1822	73.3	1868	78.4								
26044	3400	1687	60.0	1728	64.2	1769	68.4	1809	72.8	1849	77.3	1891	82.3	1933	87.5						
27576	3600	1728	64.8	1768	69.1	1808	73.6	1847	78.1	1884	82.6	1922	87.2	1961	92.1	2000	97.3	2040	103		
29108	3800	1771	69.5	1810	74.4	1848	79.1	1886	83.7	1923	88.5	1959	93.2	1995	98.0	2031	103	2068	108	2142	119
30640	4000	1814	74.3	1853	79.5	1890	84.7	1927	89.8	1963	94.6	1998	99.6	2034	105	2068	110	2102	115	2171	125
32172	4200	1859	79.4	1896	84.8	1933	90.2	1970	95.7	2005	101	2039	106	2073	111	2107	117	2141	122	2206	132
33704	4400	1903	84.8	1941	90.4	1977	96.0	2013	102	2048	107	2081	113	2115	119	2147	124	2180	129	2244	140
35236	4600	1948	90.3	1986	96.2	2022	102	2057	108	2091	114	2124	120	2157	126	2189	132	2221	137	2283	149
36768	4800	1994	96.0	2030	102	2066	108	2101	114	2135	121	2168	127	2201	133	2232	139	2264	145	2324	157
38300	5000	2040	102	2076	108	2111	115	2146	121	2180	12										

Wheel 40 1/4" Dia.
10.5' Circ.

Outlet 31 1/4 x 43 3/4
9.32 Sq. Ft.

Inlet 46 3/4" Dia.
11.8 Sq. Ft.

Max bhp = 20.4 ^{rpm} / 1000

CLASS MAX. RPM

- I 1048
- II 1328
- III 1666
- IV 1905
- V 2141
- VI 2380



TYPE
A

402
SWSI

cfm	ov	1/4 SP		1/2 SP		3/4 SP		1 SP		1-1/4 SP		1-1/2 SP		2 SP		2-1/2 SP		3 SP		3-1/2 SP	
		rpm	bhp	rpm	bhp	rpm	bhp	rpm	bhp	rpm	bhp	rpm	bhp	rpm	bhp	rpm	bhp	rpm	bhp	rpm	bhp
8388	900	308	4.54	353	4.88	392	1.23	427	1.57	462	1.96										
9320	1000	334	4.66	373	1.02	411	1.41	445	1.80	477	2.18										
10252	1100	358	4.79	395	1.18	431	1.61	464	2.04	494	2.46	523	2.88	581	3.85						
11184	1200	382	4.94	418	1.37	452	1.83	484	2.29	513	2.76	540	3.22	593	4.15						
12116	1300	407	1.12	442	1.59	473	2.05	504	2.56	533	3.07	559	3.58	609	4.56	657	5.63				
13048	1400	433	1.32	468	1.84	495	2.31	525	2.85	553	3.40	579	3.94	627	5.02	672	6.09	717	7.30		
13980	1500	458	1.55	493	2.10	519	2.60	546	3.16	573	3.75	599	4.33	646	5.51	689	6.64	730	7.80	773	9.13
14912	1600	485	1.80	516	2.37	544	2.94	568	3.50	594	4.11	619	4.74	665	5.99	707	7.22	747	8.43	786	9.69
15844	1700	511	2.09	541	2.68	570	3.32	591	3.88	616	4.51	640	5.18	685	6.50	726	7.83	765	9.12	802	10.4
16776	1800	538	2.41	566	3.02	595	3.71	616	4.31	638	4.94	661	5.62	705	7.04	746	8.44	784	9.86	820	11.2
17708	1900	565	2.78	591	3.40	618	4.10	641	4.79	661	5.42	683	6.11	726	7.60	766	9.08	803	10.6	838	12.0
18640	2000	593	3.17	617	3.82	642	4.53	667	5.31	685	5.95	705	6.65	747	8.19	786	9.75	823	11.3	857	12.9
20504	2200	647	4.07	669	4.77	692	5.53	715	6.35	737	7.18	753	7.88	790	9.46	827	11.2	863	12.9	896	14.6
22368	2400	702	5.14	721	5.87	743	6.70	764	7.55	786	8.48	805	9.37	835	10.9	870	12.7	904	14.6	937	16.5
24232	2600	757	6.39	776	7.21	795	8.06	814	8.95	833	9.89	854	10.9	885	12.7	914	14.5	946	16.4	978	18.5
26096	2800	813	7.85	830	8.74	847	9.60	865	10.6	883	11.5	901	12.6	936	14.7	962	16.5	990	18.5	1020	20.6
27960	3000	869	9.52	885	10.5	900	11.4	917	12.4	934	13.4	951	14.5	985	16.8	1013	18.9	1037	20.8	1064	23.0
29824	3200	925	11.4	939	12.4	954	13.4	969	14.4	985	15.5	1001	16.6	1033	19.0	1064	21.5	1087	23.5	1111	25.7
31688	3400	981	13.6	994	14.6	1009	15.7	1022	16.7	1037	17.9	1052	19.0	1082	21.4	1112	24.1	1139	26.6	1160	28.7
33552	3600	1037	16.0	1050	17.1	1064	18.2	1076	19.3	1090	20.5	1104	21.7	1132	24.2	1160	26.8	1189	29.7	1212	32.2
35416	3800	1093	18.7	1105	19.8	1118	21.0	1131	22.2	1142	23.3	1156	24.6	1182	27.2	1209	29.9	1236	32.8	1263	35.8
cfm	ov	4 SP		4-1/2 SP		5 SP		5-1/2 SP		6 SP		7 SP		8 SP		9 SP		10 SP		11 SP	
		rpm	bhp	rpm	bhp	rpm	bhp	rpm	bhp	rpm	bhp	rpm	bhp	rpm	bhp	rpm	bhp	rpm	bhp	rpm	bhp
16776	1800	854	12.6	889	14.0	925	15.6														
17708	1900	872	13.5	905	14.9	937	16.4	971	18.1												
18640	2000	890	14.4	922	15.9	953	17.4	984	19.0	1016	20.8										
20504	2200	928	16.3	959	18.1	988	19.7	1018	21.4	1046	23.0	1103	26.6	1162	30.8						
22368	2400	968	18.3	998	20.2	1026	22.1	1054	23.9	1081	25.7	1134	29.4	1185	33.2	1249	37.6				
24232	2600	1009	20.5	1038	22.5	1066	24.5	1093	26.6	1119	28.6	1169	32.6	1218	36.5	1265	40.5	1314	45.0	1365	50.0
26096	2800	1050	22.8	1078	25.0	1106	27.2	1132	29.4	1158	31.8	1207	36.0	1253	40.7	1299	44.4	1343	48.7	1388	53.2
27960	3000	1092	25.3	1120	27.6	1147	30.0	1173	32.3	1198	34.7	1246	39.3	1291	44.1	1335	48.6	1378	53.1	1420	57.7
29824	3200	1136	28.0	1162	30.4	1188	32.9	1214	35.5	1238	37.9	1286	42.9	1330	47.9	1373	53.0	1414	57.8	1455	62.6
31688	3400	1183	31.0	1206	33.5	1231	36.1	1255	38.7	1280	41.4	1326	46.7	1370	52.0	1412	57.3	1453	62.7	1491	67.9
33552	3600	1232	34.4	1253	36.9	1275	39.5	1299	42.2	1322	45.0	1367	50.7	1411	56.9	1452	61.9	1492	67.5	1530	73.2
35416	3800	1283	38.3	1302	40.7	1322	43.3	1343	46.1	1365	48.9	1409	54.8	1452	60.8	1493	66.7	1532	72.6	1569	78.5
37280	4000	1334	42.5	1353	45.0	1371	47.6	1390	50.3	1410	53.2	1452	59.2	1493	65.5	1533	71.8	1572	78.0	1610	84.2
39144	4200	1383	46.6	1404	49.7	1422	52.3	1439	55.0	1457	57.9	1496	64.0	1535	70.3	1575	77.1	1613	83.6	1650	90.1
41008	4400	1430	50.8	1454	54.3	1473	57.3	1490	60.2	1506	63.0	1541	69.2	1579	75.6	1617	82.4	1654	89.4	1691	96.3
42872	4600	1478	55.4	1501	59.0	1524	62.7	1542	65.9	1557	68.8	1589	74.7	1629	81.4	1660	88.2	1696	95.3	1732	103
44736	4800	1528	60.4	1549	64.0	1571	67.8	1592	71.6	1609	74.9	1639	80.9	1670	87.5	1704	94.5	1739	102	1774	109
46600	5000	1578	65.8	1598	69.4	1618	73.2	1640	77.3	1660	81.2	1690	87.8	1719	94.2	1750	101	1783	109	1817	116
cfm	ov	12 SP		13 SP		14 SP		15 SP		16 SP		17 SP		18 SP		19 SP		20 SP		22 SP	
		rpm	bhp	rpm	bhp	rpm	bhp	rpm	bhp	rpm	bhp	rpm	bhp	rpm	bhp	rpm	bhp	rpm	bhp	rpm	bhp
26096	2800	1434	58.4	1481	63.8																
27960	3000	1461	62.4	1503	67.5	1546	73.1	1591	78.9												
29824	3200	1494	67.5	1533	72.4	1572	77.5	1612	83.1	1652	89.1	1694	95.4								
31688	3400	1530	72.9	1567	78.1	1604	83.3	1640	88.6	1677	94.1	1715	100	1753	106	1814	118	1850	125	1943	145
33552	3600	1567	78.8	1603	84.1	1639	89.6	1674	95.1	1709	101	1743	106	1778	112	1814	125	1875	131	1943	145
35416	3800	1606	84.3	1641	90.5	1676	96.2	1710	102	1744	108	1777	113	1809	119	1842	125	1875	131	1943	145
37280	4000	1645	90.4	1680	96.7	1714	103	1747	109	1780	115	1812	121	1844	127	1875	133	1906	139	1969	152
39144	4200	1685	96.6	1720	103	1753	110	1786	116	1818	123	1849	129	1880	136	1911	142	1941	148	2000	161
41008	4400	1726	103	1760	110	1793	117	1825	124	1857	131	1888	138	1918	144	1947	151	1977	157	2035	171
42872	4600	1767	110	1801	117	1833	124	1865	131	1896	138	1927	144	1956	153	1985	160	2014	167	2071	181
44736	4800	1808	117	1841	124	1874	132	1906	139	1936	147	1966	154	1996	162	2024	168	2053	177	2108	192
46600	5000	1850	124	1883	132	1915	140	1946	147	1977	155	2006	163	2035	171	2064	179	2092	186	2148	202
48464	5200	1893	131	1924	140	1956	148	1987	156	2017	164	2047	172	2076	180	2104</					



TYPE
A

**445
SWSI**

CLASS MAX. RPM

- I** 949
- II** 1200
- III** 1504
- IV** 1720
- V** 1931
- VI** 2140

Wheel **44½" Dia.**
11.7' Circ.

Outlet **34½ x 48½**
11.38 Sq. Ft.

Inlet **51½" Dia.**
14.1 Sq. Ft.

Max bhp = 34.0 rpm
1000³

cfm	ov	1/4 SP		1/2 SP		3/4 SP		1 SP		1-1/4 SP		1-1/2 SP		2 SP		2-1/2 SP		3 SP		3-1/2 SP	
		rpm	bhp	rpm	bhp	rpm	bhp	rpm	bhp	rpm	bhp	rpm	bhp	rpm	bhp	rpm	bhp	rpm	bhp	rpm	bhp
10242	900	278	.66	319	1.07	354	1.50	386	1.92	418	2.39	460	3.18	526	4.71						
11380	1000	302	.81	338	1.25	372	1.72	402	2.20	431	2.66	473	3.51								
12518	1100	323	.97	357	1.44	390	1.97	420	2.49	447	3.00										
13656	1200	345	1.15	378	1.67	409	2.23	438	2.80	464	3.37	489	3.93	536	5.07	594	6.87	649	8.91		
14794	1300	368	1.37	400	1.94	428	2.51	456	3.13	482	3.75	506	4.37	551	5.57	608	7.43				
15932	1400	391	1.61	423	2.25	448	2.82	475	3.48	500	4.15	524	4.81	567	6.13						
17070	1500	415	1.89	446	2.56	469	3.18	494	3.85	519	4.58	542	5.29	584	6.73	623	8.11	661	9.52	699	11.2
18208	1600	438	2.20	467	2.89	492	3.59	514	4.27	537	5.02	560	5.79	602	7.31	640	8.82	676	10.3	711	11.8
19346	1700	462	2.55	489	3.27	515	4.06	535	4.74	557	5.50	579	6.32	620	7.94	657	9.57	692	11.1	725	12.7
20484	1800	487	2.95	512	3.69	538	4.53	557	5.26	577	6.03	598	6.86	638	8.59	675	10.3	709	12.0	741	13.7
21622	1900	511	3.39	535	4.16	559	5.01	580	5.85	598	6.62	617	7.47	656	9.28	693	11.1	726	12.9	758	14.7
22760	2000	536	3.87	558	4.67	581	5.54	604	6.48	620	7.26	638	8.12	675	10.0	711	11.9	744	13.8	775	15.7
25036	2200	585	4.97	605	5.83	626	6.75	647	7.75	666	8.77	681	9.62	714	11.5	748	13.7	781	15.7	811	17.8
27312	2400	635	6.27	652	7.17	672	8.18	691	9.22	710	10.4	728	11.4	755	13.4	787	15.5	818	17.8	847	20.1
29588	2600	685	7.80	702	8.81	719	9.84	736	10.9	754	12.1	772	13.3	800	15.5	827	17.7	856	20.1	885	22.6
31864	2800	735	9.58	751	10.7	766	11.7	783	12.9	799	14.1	815	15.3	847	18.0	870	20.1	896	22.6	923	25.2
34140	3000	786	11.6	800	12.8	814	13.9	829	15.1	845	16.4	860	17.7	891	20.5	916	23.1	938	25.4	963	28.1
36416	3200	837	14.0	850	15.1	863	16.4	877	17.6	891	19.0	905	20.3	934	23.2	963	26.2	984	28.7	1005	31.4
38692	3400	887	16.6	899	17.8	913	19.2	924	20.4	938	21.8	951	23.2	978	26.2	1006	29.4	1030	32.5	1049	35.1
40968	3600	938	19.6	950	20.8	962	22.3	973	23.6	986	25.0	998	26.4	1024	29.5	1049	32.8	1076	36.3	1096	39.3
43244	3800	989	22.9	1000	24.2	1011	25.6	1023	27.1	1033	28.4	1045	30.1	1069	33.2	1094	36.5	1118	40.1	1142	43.8
cfm	ov	4 SP		4-1/2 SP		5 SP		5-1/2 SP		6 SP		7 SP		8 SP		9 SP		10 SP		11 SP	
		rpm	bhp	rpm	bhp	rpm	bhp	rpm	bhp	rpm	bhp	rpm	bhp	rpm	bhp	rpm	bhp	rpm	bhp	rpm	bhp
20484	1800	773	15.3	804	17.1	837	19.1														
21622	1900	789	16.4	818	18.2	848	20.1	879	22.2												
22760	2000	805	17.6	834	19.4	862	21.3	890	23.2	919	25.4										
25036	2200	840	19.9	867	22.0	894	24.0	920	26.1	948	28.1	997	32.5	1051	37.7						
27312	2400	876	22.4	902	24.7	928	27.0	953	29.2	978	31.4	1025	35.9	1072	40.5	1121	45.9				
29588	2600	912	25.0	939	27.5	964	30.0	988	32.5	1012	35.0	1057	39.7	1101	44.6	1144	49.5	1189	55.0	1234	61.1
31864	2800	950	27.9	975	30.5	1000	33.2	1024	35.8	1047	38.5	1091	43.9	1134	49.0	1175	54.2	1215	59.5	1255	65.0
34140	3000	988	30.8	1013	33.7	1037	36.6	1061	39.5	1083	42.3	1127	48.0	1168	53.8	1207	59.3	1246	64.9	1284	70.4
36416	3200	1029	34.2	1051	37.1	1075	40.2	1098	43.3	1120	46.3	1163	52.4	1203	58.5	1242	64.7	1279	70.6	1316	76.5
38692	3400	1070	37.9	1091	40.9	1114	44.0	1136	47.2	1157	50.6	1200	57.0	1239	63.5	1277	70.0	1314	76.5	1349	82.9
40968	3600	1114	42.1	1133	45.1	1154	48.3	1175	51.6	1195	54.9	1237	61.9	1276	68.8	1313	75.6	1349	82.4	1384	89.3
43244	3800	1160	46.8	1177	49.7	1196	52.9	1215	56.3	1235	59.7	1274	66.9	1313	74.3	1350	81.5	1385	88.7	1419	95.9
45520	4000	1207	51.9	1223	55.0	1240	58.1	1257	61.5	1275	65.0	1313	72.3	1351	80.0	1387	87.6	1422	95.2	1456	103
47796	4200	1251	56.9	1270	60.7	1286	63.9	1301	67.1	1318	70.7	1353	78.1	1389	85.9	1424	94.1	1459	102	1492	110
50072	4400	1294	62.0	1315	66.4	1333	70.2	1347	73.6	1362	77.0	1394	84.5	1428	92.4	1462	101	1496	109	1529	118
52348	4600	1337	67.6	1358	72.1	1378	76.5	1394	80.5	1408	84.0	1437	91.3	1469	99.4	1502	108	1534	116	1567	125
54624	4800	1382	73.7	1401	78.1	1421	82.8	1440	87.4	1455	91.5	1482	98.8	1511	107	1542	115	1573	124	1604	133
56900	5000	1427	80.3	1445	84.8	1464	89.4	1483	94.3	1501	99.1	1529	107	1555	115	1583	124	1613	133	1643	142
cfm	ov	12 SP		13 SP		14 SP		15 SP		16 SP		17 SP		18 SP		19 SP		20 SP		22 SP	
		rpm	bhp	rpm	bhp	rpm	bhp	rpm	bhp	rpm	bhp	rpm	bhp	rpm	bhp	rpm	bhp	rpm	bhp	rpm	bhp
31864	2800	1297	71.3	1340	77.9																
34140	3000	1321	76.1	1359	82.4	1399	89.2	1439	96.4												
36416	3200	1351	82.4	1386	88.4	1422	94.6	1458	101	1495	109	1532	116								
38692	3400	1384	89.1	1418	95.4	1451	102	1484	108	1517	115	1551	122	1586	130	1640	145	1673	153	1757	177
40968	3600	1417	96.3	1450	103	1482	109	1515	116	1546	123	1577	130	1608	137	1666	145	1696	160		
43244	3800	1453	103	1485	111	1516	117	1547	124	1577	131	1607	139	1637	146						
45520	4000	1488	110	1520	118	1551	126	1580	133	1610	141	1639	148	1668	155	1696	163	1724	170	1781	186
47796	4200	1524	118	1555	126	1586	134	1615	142	1644	150	1672	158	1700	165	1728	173	1756	181	1809	197
50072	4400	1561	126	1592	134	1622	143	1651	151	1679	159	1707	168	1734	176	1761	184	1788	192	1841	209
52348	4600	1598	134	1629	143	1658	152	1687	160	1715	169	1743	178	1769	187	1796	196	1822	204	1873	221
54624	4800	1635	143	1665	152	1695	161	1724	170	1751	179	1778	188	1805	197	1831	207	1857	216	1906	234
56900	5000	1673	151	1703	161	1732	171	1760	180	1788	190	1815	199	1841	208	1867	218	1892	228	1941	247
59176	5200	1712	160	1741	170	1769	181	1797	190	1825	200	1851	210	1877	220	1903	230	1928</			

Wheel 49" Dia.
12.8' Circ.

Outlet 38 x 53 1/2
13.81 Sq. Ft.

Inlet 55 1/4" Dia.
16.8 Sq. Ft.

Max bhp = 54.7 ^{rpm} / 1000

CLASS MAX. RPM

- I 861
- II 1092
- III 1368
- IV 1562
- V 1757
- VI 1950



490
SWSI

cfm	ov	1/4 SP		1/2 SP		3/4 SP		1 SP		1-1/4 SP		1-1/2 SP		2 SP		2-1/2 SP		3 SP		3-1/2 SP	
		rpm	bhp	rpm	bhp	rpm	bhp	rpm	bhp	rpm	bhp	rpm	bhp	rpm	bhp	rpm	bhp	rpm	bhp	rpm	bhp
12429	900	253	.80	290	1.30	322	1.83	351	2.33	380	2.90										
13810	1000	274	.98	307	1.52	338	2.09	365	2.67	391	3.23	417	3.85								
15191	1100	294	1.18	324	1.75	354	2.39	381	3.02	406	3.65	429	4.27	477	5.71						
16572	1200	314	1.40	343	2.03	371	2.71	398	3.40	422	4.09	444	4.77	487	6.15						
17953	1300	334	1.66	363	2.35	389	3.04	414	3.80	438	4.55	459	5.31	500	6.76	540	8.34				
19334	1400	355	1.96	385	2.73	407	3.43	431	4.23	454	5.04	476	5.84	515	7.44	552	9.02	589	10.8		
20715	1500	377	2.29	405	3.11	426	3.86	449	4.68	471	5.55	492	6.42	530	8.16	566	9.84	600	11.6	635	13.5
22096	1600	398	2.67	424	3.51	447	4.36	467	5.18	488	6.10	509	7.03	546	8.87	581	10.7	614	12.5	646	14.4
23477	1700	420	3.09	444	3.97	468	4.92	486	5.75	506	6.68	526	7.67	563	9.63	597	11.6	628	13.5	659	15.4
24858	1800	442	3.58	465	4.48	488	5.50	506	6.38	524	7.32	543	8.33	579	10.4	613	12.5	644	14.6	673	16.6
26239	1900	464	4.11	486	5.04	508	6.08	527	7.10	543	8.03	561	9.06	596	11.3	629	13.5	660	15.7	688	17.8
27620	2000	487	4.70	507	5.67	527	6.72	548	7.87	563	8.81	579	9.86	613	12.1	646	14.4	676	16.7	704	19.1
30382	2200	532	6.03	549	7.07	568	8.19	587	9.41	605	10.6	619	11.7	649	14.0	679	16.6	709	19.1	736	21.6
33144	2400	577	7.61	593	8.70	610	9.93	627	11.2	645	12.6	663	13.9	686	16.2	714	18.8	743	21.6	770	24.4
35906	2600	622	9.47	637	10.7	653	11.9	669	13.3	685	14.7	701	16.2	727	18.8	751	21.5	777	24.3	803	27.4
38668	2800	668	11.6	682	13.0	696	14.2	711	15.7	725	17.1	740	18.6	769	21.8	790	24.5	814	27.4	838	30.5
41430	3000	714	14.1	727	15.5	739	16.8	753	18.4	767	19.9	781	21.4	809	24.9	832	28.0	852	30.9	874	34.1
44192	3200	760	17.0	772	18.4	784	19.9	796	21.4	809	23.0	822	24.6	848	28.1	874	31.8	893	34.9	912	38.0
46954	3400	806	20.2	817	21.6	829	23.3	839	24.7	852	26.5	864	28.2	888	31.7	914	35.6	936	39.4	953	42.5
49716	3600	852	23.8	862	25.3	874	27.0	884	28.6	895	30.3	907	32.2	930	35.8	953	39.7	977	44.0	995	47.7
52478	3800	898	27.8	908	29.3	918	31.1	929	32.9	938	34.5	949	36.5	971	40.3	993	44.3	1015	48.6	1037	53.1
cfm	ov	4 SP		4-1/2 SP		5 SP		5-1/2 SP		6 SP		7 SP		8 SP		9 SP		10 SP		11 SP	
		rpm	bhp	rpm	bhp	rpm	bhp	rpm	bhp	rpm	bhp	rpm	bhp	rpm	bhp	rpm	bhp	rpm	bhp	rpm	bhp
24858	1800	702	18.6	730	20.8	760	23.2														
26239	1900	716	19.9	743	22.1	770	24.3	798	26.9												
27620	2000	731	21.3	757	23.6	783	25.8	809	28.2	835	30.8										
30382	2200	763	24.2	788	26.7	812	29.2	836	31.7	859	34.1	906	39.5	955	45.7						
33144	2400	795	27.2	820	29.9	843	32.8	866	35.5	888	38.1	931	43.5	974	49.2	1018	55.7				
35906	2600	828	30.4	852	33.4	875	36.4	898	39.4	919	42.4	960	48.2	1000	54.1	1039	60.1	1080	66.7	1121	74.1
38668	2800	862	33.8	886	37.1	908	40.3	930	43.5	951	46.7	991	53.3	1030	59.5	1067	65.8	1103	72.2	1140	78.9
41430	3000	897	37.4	920	40.9	942	44.4	963	47.9	984	51.3	1023	58.3	1061	65.3	1096	72.0	1132	78.7	1166	85.4
44192	3200	933	41.5	955	45.1	976	48.8	997	52.5	1017	56.2	1056	63.6	1093	71.0	1128	78.5	1162	85.6	1195	92.8
46954	3400	971	46.0	991	49.6	1011	53.4	1031	57.3	1051	61.4	1089	69.2	1126	77.0	1160	84.9	1193	92.9	1228	101
49716	3600	1012	51.0	1029	54.7	1048	58.6	1067	62.6	1086	66.6	1123	75.1	1159	83.4	1193	91.7	1225	100	1257	108
52478	3800	1054	56.8	1069	60.3	1086	64.2	1103	68.3	1121	72.5	1157	81.2	1192	90.1	1226	98.9	1258	108	1289	116
55240	4000	1096	62.9	1111	66.7	1126	70.5	1142	74.6	1158	78.9	1192	87.7	1227	97.1	1259	106	1291	116	1322	129
58002	4200	1136	69.1	1154	73.6	1168	77.6	1182	81.5	1197	85.8	1229	94.8	1261	104	1294	114	1325	124	1355	134
60764	4400	1175	75.3	1195	80.5	1210	85.2	1224	89.3	1237	93.4	1266	102	1297	112	1328	122	1359	133	1389	143
63526	4600	1214	82.1	1233	87.4	1252	92.9	1266	97.6	1279	102	1305	111	1334	121	1364	131	1393	141	1423	152
66288	4800	1255	89.5	1272	94.8	1290	100	1308	106	1322	111	1346	120	1372	130	1400	140	1429	151	1457	162
69050	5000	1296	97.5	1312	103	1329	109	1347	114	1363	120	1388	130	1412	140	1438	150	1465	161	1492	172
cfm	ov	12 SP		13 SP		14 SP		15 SP		16 SP		17 SP		18 SP		19 SP		20 SP		22 SP	
		rpm	bhp	rpm	bhp	rpm	bhp	rpm	bhp	rpm	bhp	rpm	bhp	rpm	bhp	rpm	bhp	rpm	bhp	rpm	bhp
38668	2800	1178	86.5	1217	94.6																
41430	3000	1200	92.4	1235	100	1270	108	1307	117												
44192	3200	1227	100	1259	107	1291	115	1324	123	1357	132	1391	141								
46954	3400	1257	108	1288	116	1318	123	1348	131	1378	139	1409	148	1440	158						
49716	3600	1287	117	1317	125	1347	133	1375	141	1404	149	1432	157	1461	166	1490	175	1520	185		
52478	3800	1319	125	1348	134	1377	143	1405	151	1432	160	1460	168	1486	177	1513	186	1540	195	1596	215
55240	4000	1351	134	1380	143	1408	153	1435	162	1462	171	1489	180	1515	189	1541	198	1566	207	1617	226
58002	4200	1384	143	1413	153	1440	163	1467	172	1493	182	1519	192	1544	201	1570	210	1595	220	1643	239
60764	4400	1418	153	1446	163	1473	173	1499	183	1525	194	1550	204	1575	214	1599	224	1624	233	1672	253
63526	4600	1451	163	1479	173	1506	184	1532	195	1557	205	1582	216	1607	227	1631	237	1654	248	1701	268
66288	4800	1485	173	1512	184	1539	195	1565	206	1590	217	1615	228	1639	240	1663	251	1686	262	1731	284
69050	5000	1519	184	1546	195	1573	207	1598	219	1624	230	1648	242	1672	253	1695	265	1718	278	1763	300
71812	5200	1555	195	1581	207	1607	219	1632	231	1657	243	1681	255	1705	267	1728	279	1751	291	1795	315
74574	5400	1591	207	1616	219	1641	231	1666	244	1691	257	1715	269								



TYPE

A

CLASS MAX. RPM

- I 777
- II 986
- III 1234
- IV 1411
- V 1585
- VI 1760

Wheel 54 1/4" Dia.
14.2' Circ.

Outlet 42 1/4 x 58 3/4
16.92 Sq. Ft.

Inlet 56 3/4" Dia.
17.2 Sq. Ft.

542
SWSI

Max bhp = 90.9 ³ rpm 1000

cfm	ov	1/4 SP		1/2 SP		3/4 SP		1 SP		1-1/4 SP		1-1/2 SP		2 SP		2-1/2 SP		3 SP		3-1/2 SP	
		rpm	bhp	rpm	bhp	rpm	bhp	rpm	bhp	rpm	bhp	rpm	bhp	rpm	bhp	rpm	bhp	rpm	bhp	rpm	bhp
15228	900	228	.98	262	1.60	291	2.24	317	2.85	343	3.55										
16920	1000	248	1.20	277	1.86	305	2.56	330	3.27	354	3.96	377	4.72								
16612	1100	265	1.44	293	2.15	320	2.93	344	3.70	367	4.47	388	5.23	431	7.00						
20304	1200	283	1.71	310	2.48	335	3.31	359	4.16	381	5.02	401	5.84	440	7.53						
21996	1300	302	2.03	328	2.88	351	3.73	374	4.65	395	5.57	415	6.50	452	8.28	488	10.2				
23688	1400	321	2.40	347	3.34	367	4.20	389	5.18	410	6.17	429	7.16	465	9.11	498	11.1	532	13.2		
25380	1500	340	2.81	365	3.81	385	4.73	405	5.73	425	6.81	444	7.86	479	10.0	511	12.1	542	14.2	574	16.6
27072	1600	360	3.28	383	4.30	403	5.34	422	6.35	441	7.47	459	8.61	494	10.9	525	13.1	554	15.3	583	17.6
28764	1700	379	3.79	401	4.86	423	6.03	439	7.04	457	8.18	475	9.40	508	11.8	539	14.2	567	16.6	595	18.9
30456	1800	399	4.38	420	5.49	441	6.74	457	7.82	473	8.97	490	10.2	523	12.8	553	15.3	581	17.9	608	20.3
32148	1900	419	5.04	439	6.18	459	7.45	476	8.70	490	9.84	506	11.1	538	13.8	568	16.5	596	19.2	622	21.8
33840	2000	440	5.76	458	6.94	476	8.23	495	9.64	508	10.8	523	12.1	554	14.9	583	17.7	610	20.5	636	23.4
37224	2200	480	7.39	496	8.67	513	10.0	531	11.5	547	13.0	559	14.3	586	17.2	614	20.3	640	23.4	665	26.5
40608	2400	521	9.32	535	10.7	551	12.2	567	13.7	583	15.4	597	17.0	620	19.9	645	23.1	671	26.5	695	29.9
43992	2600	562	11.6	576	13.1	590	14.6	604	16.2	618	18.0	633	19.8	656	23.0	678	26.3	702	29.8	726	33.6
47376	2800	603	14.2	616	15.9	628	17.4	642	19.2	655	20.9	669	22.8	695	26.7	714	30.0	735	33.6	757	37.4
50760	3000	645	17.3	657	19.0	668	20.6	680	22.5	693	24.3	705	26.3	731	30.5	752	34.3	770	37.8	790	41.7
54144	3200	686	20.8	697	22.5	708	24.4	719	26.2	731	28.2	743	30.2	766	34.4	790	39.0	807	42.7	824	46.6
57528	3400	728	24.7	738	26.5	749	28.5	758	30.3	769	32.5	780	34.6	802	38.9	825	43.7	845	48.3	861	52.1
60912	3600	769	29.1	779	31.0	789	33.1	798	35.1	808	37.2	819	39.4	840	43.9	861	48.7	882	53.9	899	58.4
64296	3800	811	34.0	820	35.9	829	38.1	839	40.3	847	42.3	858	44.7	877	49.4	897	54.3	917	59.6	937	65.0
cfm	ov	4 SP		4-1/2 SP		5 SP		5-1/2 SP		6 SP		7 SP		8 SP		9 SP		10 SP		11 SP	
		rpm	bhp	rpm	bhp	rpm	bhp	rpm	bhp	rpm	bhp	rpm	bhp	rpm	bhp	rpm	bhp	rpm	bhp	rpm	bhp
30456	1800	634	22.8	660	25.4	686	28.4														
32148	1900	647	24.4	671	27.1	696	29.8	721	32.9												
33840	2000	660	26.1	684	28.9	707	31.6	730	34.5	754	37.8										
37224	2200	689	29.6	711	32.8	733	35.7	755	38.8	816	48.4	862	56.0								
40608	2400	718	33.5	740	36.7	762	40.1	782	43.5	802	46.7	841	53.3	879	60.3	919	68.3				
43992	2600	748	37.2	770	40.9	791	44.6	811	48.3	830	52.0	867	59.1	903	66.3	939	73.6	975	81.8	1012	90.8
47376	2800	779	41.4	800	45.4	821	49.4	840	53.3	859	57.3	895	65.3	930	72.9	964	80.6	997	88.4	1030	96.7
50760	3000	810	45.9	831	50.2	851	54.4	870	58.7	889	62.9	924	71.4	958	80.0	990	88.2	1022	96.4	1053	105
54144	3200	843	50.8	862	55.2	882	59.8	901	64.4	919	68.9	954	77.9	987	87.0	1019	96.1	1049	105	1079	114
57528	3400	877	56.3	895	60.8	913	65.5	931	70.2	949	75.2	984	84.8	1017	94.4	1048	104	1078	114	1107	123
60912	3600	914	62.5	929	67.0	946	71.8	964	76.7	981	81.7	1014	92.1	1047	102	1077	112	1107	123	1135	133
64296	3800	952	69.6	966	73.9	981	78.7	997	83.7	1013	88.6	1045	99.5	1077	110	1107	121	1136	132	1164	143
67680	4000	990	77.1	1004	81.8	1017	86.4	1031	91.4	1046	96.6	1077	107	1108	119	1138	130	1166	142	1194	153
71064	4200	1026	84.6	1042	90.2	1055	95.0	1067	99.8	1081	105	1110	116	1139	128	1168	140	1197	152	1224	164
74448	4400	1061	92.2	1079	98.7	1093	104	1105	109	1117	114	1144	126	1172	137	1200	150	1227	162	1254	175
77832	4600	1097	101	1114	107	1131	114	1144	120	1155	125	1179	136	1205	148	1232	160	1258	173	1285	186
81216	4800	1133	110	1149	116	1166	123	1181	130	1194	136	1216	147	1239	159	1265	172	1290	185	1316	198
84600	5000	1170	119	1185	126	1201	133	1217	140	1231	147	1254	159	1275	171	1299	184	1323	197		
cfm	ov	12 SP		13 SP		14 SP		15 SP		16 SP		17 SP		18 SP		19 SP		20 SP		22 SP	
		rpm	bhp	rpm	bhp	rpm	bhp	rpm	bhp	rpm	bhp	rpm	bhp	rpm	bhp	rpm	bhp	rpm	bhp	rpm	bhp
47376	2800	1064	106	1099	116																
50760	3000	1084	113	1115	122	1147	133	1180	143												
54144	3200	1109	122	1137	131	1166	141	1196	151	1226	162	1257	173								
57528	3400	1135	132	1163	142	1190	151	1217	161	1244	171	1272	182	1301	193						
60912	3600	1163	143	1190	153	1216	163	1247	173	1268	183	1293	193	1319	203	1346	215	1372	227		
64296	3800	1191	153	1218	164	1243	175	1269	185	1294	195	1318	206	1343	216	1367	227	1391	239	1441	264
67680	4000	1221	164	1247	176	1272	187	1296	198	1321	209	1345	220	1368	231	1391	242	1414	253	1461	276
71064	4200	1251	175	1276	187	1301	199	1325	211	1349	223	1372	235	1395	246	1418	258	1440	269	1484	292
74448	4400	1281	187	1306	200	1330	212	1354	225	1378	237	1400	250	1423	262	1445	274	1467	286	1510	310
77832	4600	1311	199	1336	212	1360	225	1384	238	1407	251	1429	264	1451	278	1473	291	1494	304	1536	328
81216	4800	1341	212	1366	226	1390	239	1414	253	1437	266	1459	280	1481	294	1502	307	1523	321	1564	348
84600	5000	1372	225	1397	239	1421	254	1444	268	1467	282	1489	296	1510	310	1531	324	1552	338	1592	367
87984	5200	1404	239	1428	253	1451	269	1474	283	1497	298	1519	313	1540	327	1561	342	1581	356	1621	386
91368	5400	1437	253	1460	268	1482	283	1505	299	1527	315	1549	330								

Wheel 60" Dia.
15.7' Circ.

Outlet 46½ x 65
20.71 Sq. Ft.

Inlet 62½" Dia.
20.9 Sq. Ft.

Max bhp = 151 ³ $\frac{\text{rpm}}{1000}$

CLASS MAX. RPM

- I 703
- II 891
- III 1115
- IV 1276
- V 1432
- VI 1590



TYPE
A

600
SWSI

cfm	ov	1/4 SP		1/2 SP		3/4 SP		1 SP		1-1/4 SP		1-1/2 SP		2 SP		2-1/2 SP		3 SP		3-1/2 SP	
		rpm	bhp	rpm	bhp	rpm	bhp	rpm	bhp	rpm	bhp	rpm	bhp	rpm	bhp	rpm	bhp	rpm	bhp	rpm	bhp
18639	900	207	1.20	237	1.96	263	2.74	287	3.49	310	4.35										
20710	1000	224	1.47	250	2.27	276	3.14	298	4.00	320	4.84	341	5.78								
22781	1100	240	1.76	265	2.63	289	3.58	311	4.53	332	5.47	351	6.40	390	8.57						
24852	1200	256	2.10	280	3.04	303	4.06	325	5.09	344	6.14	363	7.15	398	9.22						
26923	1300	273	2.49	297	3.52	317	4.56	338	5.70	357	6.82	375	7.96	408	10.1	441	12.5				
28994	1400	290	2.94	314	4.09	332	5.14	352	6.34	371	7.55	388	8.76	420	11.2	451	13.5	481	16.2		
31065	1500	308	3.44	330	4.66	348	5.79	366	7.02	385	8.33	402	9.62	433	12.2	462	14.8	490	17.3	519	20.3
33136	1600	325	4.01	346	5.27	365	6.54	381	7.78	399	9.14	415	10.5	446	13.3	474	16.1	501	18.7	527	21.5
35207	1700	343	4.63	363	5.95	382	7.38	397	8.62	413	10.0	429	11.5	460	14.4	487	17.6	513	20.3	538	23.1
37278	1800	361	5.37	380	6.72	399	8.25	413	9.57	428	11.0	443	12.5	473	15.6	500	18.8	526	21.9	550	24.9
39349	1900	379	6.17	397	7.56	415	9.12	430	10.6	443	12.0	458	13.6	487	16.9	514	20.2	539	23.5	562	26.7
41420	2000	398	7.05	414	8.50	431	10.1	448	11.8	460	13.2	473	14.8	501	18.2	527	21.7	552	25.1	575	28.6
45562	2200	434	9.05	449	10.6	464	12.3	480	14.1	494	16.0	505	17.5	530	21.0	555	24.8	579	28.6	601	32.4
49704	2400	471	11.4	484	13.1	498	14.9	512	16.8	527	18.8	540	20.8	560	24.3	583	28.2	606	32.5	629	36.6
53846	2600	508	14.2	520	16.0	533	17.9	546	19.9	559	22.0	573	24.3	593	28.2	613	32.2	635	36.5	656	41.1
57988	2800	545	17.4	557	19.4	568	21.3	580	23.5	592	25.6	605	27.9	628	32.7	645	36.7	664	41.1	684	45.8
62130	3000	583	21.2	594	23.3	604	25.3	615	27.5	626	29.8	638	32.2	661	37.3	680	42.0	696	46.3	714	51.1
66272	3200	620	25.4	630	27.6	640	29.8	650	32.1	661	34.5	671	36.9	693	42.1	714	47.7	729	52.3	745	57.1
70414	3400	658	30.2	667	32.4	677	34.9	685	37.1	696	39.7	706	42.3	726	47.6	746	53.5	764	59.1	778	63.8
74556	3600	696	35.6	704	37.9	713	40.5	722	42.9	731	45.5	740	48.2	759	53.7	778	59.6	798	66.0	813	71.5
78698	3800	733	41.7	741	44.0	750	46.7	758	49.4	766	51.8	775	54.8	793	60.5	811	66.5	829	72.9	848	79.4
cfm	ov	4 SP		4-1/2 SP		5 SP		5-1/2 SP		6 SP		7 SP		8 SP		9 SP		10 SP		11 SP	
		rpm	bhp	rpm	bhp	rpm	bhp	rpm	bhp	rpm	bhp	rpm	bhp	rpm	bhp	rpm	bhp	rpm	bhp	rpm	bhp
37278	1800	573	27.9	596	31.1	620	34.8														
39349	1900	585	29.9	607	33.1	629	36.5	652	40.3												
41420	2000	597	32.0	619	35.3	639	38.7	660	42.3	682	46.2										
45562	2200	623	36.3	643	40.1	663	43.7	683	47.5	702	51.2	740	59.2	780	68.5						
49704	2400	649	40.7	669	44.9	689	49.1	707	53.2	725	57.2	760	65.3	795	73.8	831	83.6				
53846	2600	677	45.6	696	50.1	715	54.5	733	59.1	750	63.7	784	72.3	817	81.1	849	90.1	882	100	915	111
57988	2800	704	50.7	723	55.6	742	60.4	760	65.2	777	70.1	809	79.9	841	89.2	871	97.7	901	108	931	118
62130	3000	733	56.1	751	61.4	769	66.6	787	71.8	804	77.0	836	87.4	866	97.2	895	108	924	118	952	128
66272	3200	762	62.2	780	67.6	797	73.1	814	78.8	831	84.3	863	95.4	892	106	921	118	949	128	976	139
70414	3400	793	69.0	809	74.4	826	80.1	842	86.0	858	92.0	890	104	919	116	947	127	974	139	1000	151
74556	3600	826	76.5	840	82.0	856	87.8	871	93.8	887	99.9	917	113	946	125	974	138	1001	150	1026	163
78698	3800	861	85.2	873	90.5	887	96.5	901	102	916	109	945	122	974	135	1001	148	1028	161	1053	175
82840	4000	895	94.4	907	100	919	106	932	112	946	118	974	132	1002	146	1029	159	1055	173	1080	187
86982	4200	928	104	942	110	954	116	965	122	977	129	1003	142	1030	156	1056	171	1082	186	1107	200
91124	4400	959	113	976	121	988	128	999	134	1010	140	1034	154	1059	168	1085	183	1110	199	1134	214
95266	4600	992	123	1007	131	1022	139	1034	146	1045	153	1066	166	1089	181	1114	196	1138	212	1162	228
99408	4800	1025	134	1039	142	1054	151	1068	159	1079	167	1099	180	1121	194	1143	210	1167	226	1190	243
103550	5000	1058	146	1072	154	1086	163	1100	172	1113	180	1134	195	1153	209	1174	225	1196	241	1219	258
cfm	ov	12 SP		13 SP		14 SP		15 SP		16 SP		17 SP		18 SP		19 SP		20 SP		22 SP	
		rpm	bhp	rpm	bhp	rpm	bhp	rpm	bhp	rpm	bhp	rpm	bhp	rpm	bhp	rpm	bhp	rpm	bhp	rpm	bhp
57988	2800	962	130	994	142																
62130	3000	980	139	1008	150	1037	162	1067	175												
66272	3200	1002	150	1028	161	1054	172	1081	185	1108	198	1136	212								
70414	3400	1026	162	1051	174	1076	185	1100	197	1125	209	1150	222	1176	237						
74556	3600	1051	175	1076	187	1100	199	1123	211	1146	223	1169	236	1193	249	1217	263	1241	278		
78698	3800	1077	188	1101	201	1124	214	1147	226	1170	239	1192	252	1214	265	1236	278	1258	292	1303	323
82840	4000	1104	201	1127	215	1150	229	1172	243	1194	256	1216	269	1237	283	1258	296	1279	310	1321	338
86982	4200	1131	215	1154	229	1176	244	1198	259	1220	273	1240	287	1261	301	1282	315	1302	330	1342	358
91124	4400	1158	229	1181	244	1203	259	1224	275	1246	290	1266	306	1286	321	1306	335	1326	350	1365	380
95266	4600	1185	244	1208	260	1230	276	1251	292	1272	308	1292	324	1312	340	1332	356	1351	372	1389	402
99408	4800	1213	260	1235	276	1257	293	1278	310	1299	326	1319	343	1339	359	1358	376	1377	393	1414	426
103550	5000	1241	275	1263	293	1284	310	1305	328	1326	345	1346	362	1365	379	1384	397	1403	414	1440	449
107692	5200	1270	292	1291	310	1312	329	1333	347	1353	365	1373	383	1392	401	1411	418	1430	436	1466	473
111834	5400	1299	310	1320	328	1340	347	1361	366	1381	385	1400	404	1420	422	1438	441	1457	460	1492	497
115976	5600	1329	329	1349	347	1369	366	1389	386	1409	406	1428	425	1447	445	1466	464	1484	483	1519	522
120118	5800	1360	349	1379	368	1398	387	1418	407	1437	427	1456	447	1474	468	1493	488	1511	508	1546	548
124260	6000	1392	370	1410	389	1428	409	1447	429	1465	449	1484	470	1502	491	1521	512	1538	533		
128402	6200	1425	393	1441	412	1459	432	1477	452	1495	473	1513	494	1531	515	1549	537	1566	559		

Shaded Areas correspond to AMCA pressure limitations. Fan structural (RPM) limitations are shown by ----- lines and may be confidently used.



TYPE
A

660
SWSI

CLASS **MAX. RPM**

- I** **639**
- II** **810**
- III** **1014**
- IV** **1160**
- V** **1302**
- VI** **1445**

Wheel **66" Dia.**
 17.3' Circ.

Outlet **51 1/8 x 71 1/2**
 25.05 Sq. Ft.

Inlet **68 1/2" Dia.**
 25.2 Sq. Ft.

Max bhp = 242 rpm
1000

cfm	ov	1/4 SP		1/2 SP		3/4 SP		1 SP		1-1/4 SP		1-1/2 SP		2 SP		2-1/2 SP		3 SP		3-1/2 SP	
		rpm	bhp	rpm	bhp	rpm	bhp	rpm	bhp	rpm	bhp	rpm	bhp	rpm	bhp	rpm	bhp	rpm	bhp	rpm	bhp
22545	900	188	1.45	215	2.36	239	3.31	261	4.22	282	5.26	310	6.99								
25050	1000	203	1.78	228	2.75	251	3.80	271	4.83	291	5.86	319	7.74	354	10.4						
27555	1100	218	2.13	241	3.18	263	4.33	283	5.49	301	6.61	319	7.74								
30060	1200	233	2.54	255	3.68	276	4.91	295	6.16	313	7.43	330	8.65	361	11.2						
32565	1300	248	3.01	270	4.26	289	5.52	308	6.89	325	8.25	341	9.62	371	12.3	401	15.1				
35070	1400	264	3.55	286	4.95	302	6.21	320	7.67	337	9.13	353	10.6	382	13.5	410	16.4	437	19.6		
37575	1500	280	4.16	300	5.64	316	7.00	333	8.49	350	10.1	365	11.6	394	14.8	420	17.8	445	21.0	472	24.6
40080	1600	296	4.85	315	6.37	332	7.91	346	9.40	362	11.1	378	12.7	406	16.1	431	19.4	456	22.7	479	26.0
42585	1700	312	5.61	330	7.20	347	8.93	361	10.4	375	12.1	390	13.9	418	17.5	443	21.1	466	24.5	489	28.0
45090	1800	328	6.49	345	8.12	363	9.98	376	11.6	389	13.3	403	15.1	430	18.9	455	22.7	478	26.5	500	30.1
47595	1900	345	7.46	361	9.15	377	11.0	391	12.9	402	14.6	416	16.4	443	20.4	467	24.4	490	28.4	511	32.3
50100	2000	361	8.53	376	10.3	392	12.2	407	14.3	418	16.0	430	17.9	455	22.0	479	26.2	502	30.4	523	34.6
55110	2200	395	10.9	408	12.8	422	14.9	436	17.1	449	19.3	459	21.2	481	25.4	504	30.0	526	34.7	547	39.2
60120	2400	428	13.8	440	15.8	453	18.0	466	20.3	479	22.8	491	25.2	509	29.4	530	34.2	551	39.3	571	44.3
65130	2600	462	17.2	473	19.4	485	21.7	496	24.1	508	26.6	521	29.3	539	34.1	558	38.9	577	44.1	596	49.7
70140	2800	496	21.1	506	23.5	516	25.8	528	28.4	539	31.0	550	33.8	571	39.6	587	44.4	604	49.7	622	55.4
75150	3000	530	25.6	540	28.1	549	30.6	559	33.3	569	36.0	580	38.9	601	45.1	618	50.8	633	56.0	649	61.8
80160	3200	564	30.7	573	33.3	582	36.1	591	38.8	601	41.8	610	44.7	630	51.0	649	57.7	665	63.2	677	69.0
85170	3400	598	36.6	606	39.2	615	42.2	623	44.8	632	48.1	642	51.2	660	57.6	678	64.7	695	71.5	707	77.2
90180	3600	632	43.1	640	45.8	649	49.0	656	51.9	664	55.0	673	58.4	690	65.0	707	72.1	725	79.8	739	86.5
95190	3800	667	50.4	674	53.2	682	56.4	689	59.7	696	62.6	705	66.2	721	73.2	737	80.4	754	88.2	770	96.3
cfm	ov	4 SP		4-1/2 SP		5 SP		5-1/2 SP		6 SP		7 SP		8 SP		9 SP		10 SP		11 SP	
		rpm	bhp	rpm	bhp	rpm	bhp	rpm	bhp	rpm	bhp	rpm	bhp	rpm	bhp	rpm	bhp	rpm	bhp	rpm	bhp
45090	1800	521	33.8	542	37.6	564	42.1	592	48.8	620	55.9										
47595	1900	532	36.2	552	40.1	572	44.2	600	51.1	620	58.9										
50100	2000	543	38.7	562	42.8	581	46.8	600	51.1	620	58.9										
55110	2200	566	43.9	585	48.5	603	52.9	621	57.4	638	61.0	672	71.6	709	82.9	756	101				
60120	2400	590	49.3	608	54.3	626	59.4	643	64.3	659	69.2	691	79.0	723	89.2	756	101				
65130	2600	615	55.1	633	60.6	650	66.0	666	71.5	682	77.0	713	87.5	743	98.1	772	109	801	121	832	134
70140	2800	640	61.4	658	67.2	674	73.1	691	78.9	706	84.8	736	96.7	764	108	792	119	819	131	846	143
75150	3000	666	67.9	683	74.3	699	80.6	715	86.9	731	93.1	760	106	787	118	814	131	840	143	866	155
80160	3200	693	75.2	709	81.7	725	88.5	740	95.3	755	102	784	115	811	129	837	142	862	155	887	168
85170	3400	721	83.4	738	90.0	751	96.9	766	104	780	111	809	126	836	140	861	154	888	168	910	182
90180	3600	751	92.6	764	99.2	778	106	792	113	806	121	834	136	860	151	886	166	910	181	933	197
95190	3800	782	103	794	109	806	118	819	124	833	131	859	147	885	163	910	179	934	195	957	211
100200	4000	814	114	825	121	836	128	848	135	860	143	885	159	911	176	935	193	959	210	982	226
105210	4200	844	125	857	134	867	141	877	148	888	156	912	172	936	189	960	207	984	225	1006	242
110220	4400	872	137	887	146	899	154	909	162	918	169	940	186	963	203	986	221	1009	240	1031	259
115230	4600	902	149	916	159	929	168	940	177	950	185	969	201	990	219	1012	237	1034	256	1056	276
120240	4800	932	162	945	172	958	182	971	192	981	201	999	218	1019	235	1039	254	1061	273	1082	293
125250	5000	962	177	974	187	987	197	1000	208	1012	218	1031	236	1048	253	1067	272	1088	292	1108	312
cfm	ov	12 SP		13 SP		14 SP		15 SP		16 SP		17 SP		18 SP		19 SP		20 SP		22 SP	
		rpm	bhp	rpm	bhp	rpm	bhp	rpm	bhp	rpm	bhp	rpm	bhp	rpm	bhp	rpm	bhp	rpm	bhp	rpm	bhp
70140	2800	875	157	903	172	943	196	970	212												
75150	3000	891	168	917	181	959	208	983	223	1008	240	1033	256								
80160	3200	911	181	935	195	959	208	983	223	1008	240	1033	256								
85170	3400	933	196	956	210	978	224	1000	238	1023	253	1046	269	1069	286						
90180	3600	956	212	978	226	1000	241	1021	256	1042	270	1063	285	1084	301	1106	318	1128	336		
95190	3800	979	227	1001	243	1022	259	1043	274	1063	289	1084	305	1104	321	1123	337	1143	353	1185	390
100200	4000	1003	243	1025	260	1045	277	1066	294	1085	309	1105	326	1125	342	1144	358	1163	375	1201	409
105210	4200	1028	260	1049	277	1069	295	1089	313	1109	331	1128	347	1146	364	1165	381	1184	399	1220	433
110220	4400	1053	277	1073	296	1093	314	1113	332	1132	351	1151	370	1169	388	1187	405	1205	423	1241	459
115230	4600	1077	295	1098	315	1118	334	1137	353	1156	372	1175	392	1193	411	1211	431	1228	449	1263	486
120240	4800	1103	314	1123	334	1143	354	1162	374	1181	394	1199	414	1217	435	1235	455	1252	475	1285	515
125250	5000	1128	333	1148	355	1168	375	1187	396	1205	417	1224	438	1241	459	1259	480	1276	501	1309	544
130260	5200	1154	353	1174	375	1193	398	1212	419	1230	441	1248	463	1266	484	1283	506	1300	528	1333	572
13527																					

Wheel 73" Dia.
19.1' Circ.

Outlet 56 1/2 x 79 1/2
30.64 Sq. Ft.

Inlet 76" Dia.
31.1 Sq. Ft.

Max bhp = 402 ^{rpm} / 1000

CLASS MAX. RPM

- I 577
- II 732
- III 917
- IV 1049
- V 1179
- VI 1310



730
SWSI

cfm	ov	1/4 SP		1/2 SP		3/4 SP		1 SP		1-1/4 SP		1-1/2 SP		2 SP		2-1/2 SP		3 SP		3-1/2 SP	
		rpm	bhp	rpm	bhp	rpm	bhp	rpm	bhp	rpm	bhp	rpm	bhp	rpm	bhp	rpm	bhp	rpm	bhp	rpm	bhp
27576	900	170	1.77	194	2.89	216	4.05	236	5.16	255	6.43	280	8.55								
30640	1000	184	2.18	206	3.36	227	4.64	245	5.91	263	7.16	288	9.46	320	12.7						
33704	1100	197	2.61	218	3.89	238	5.30	256	6.71	272	8.09										
36768	1200	211	3.10	230	4.50	249	6.00	267	7.54	283	9.09	298	10.6	327	13.6						
39832	1300	224	3.68	244	5.21	261	6.75	278	8.43	294	10.1	308	11.8	336	15.0	362	18.5				
42896	1400	239	4.34	258	6.05	273	7.60	289	9.38	305	11.2	319	13.0	346	16.5	370	20.0	395	24.0		
45960	1500	253	5.09	272	6.90	286	8.56	301	10.4	316	12.3	330	14.2	356	18.1	380	21.8	403	25.6	426	30.0
49024	1600	267	5.93	285	7.79	300	9.67	313	11.5	328	13.5	341	15.6	367	19.7	390	23.8	412	27.7	433	31.9
52088	1700	282	6.86	298	8.80	314	10.9	326	12.8	339	14.8	353	17.0	378	21.4	400	25.8	422	30.0	442	34.2
55152	1800	297	7.94	312	9.94	328	12.2	340	14.2	352	16.2	364	18.5	389	23.1	411	27.7	432	32.4	452	36.8
58216	1900	312	9.13	326	11.2	341	13.5	354	15.8	364	17.8	376	20.1	400	25.0	422	29.8	443	34.7	462	39.5
61280	2000	327	10.4	340	12.6	354	14.9	368	17.5	378	19.5	389	21.9	412	26.9	433	32.1	454	37.2	473	42.3
67408	2200	357	13.4	369	15.7	381	18.2	394	20.9	406	23.6	415	25.9	435	31.1	456	36.8	476	42.4	496	48.0
73536	2400	387	16.9	398	19.3	410	22.0	421	24.8	433	27.9	442	30.8	460	36.0	480	41.8	498	48.0	517	54.2
79664	2600	418	21.0	428	23.7	438	26.5	449	29.4	460	32.5	471	35.9	488	41.7	504	47.6	522	54.0	539	60.8
85792	2800	448	25.8	458	28.7	467	31.6	477	34.7	487	37.9	497	41.3	516	48.4	530	54.2	546	60.8	563	67.7
91920	3000	479	31.3	488	34.4	496	37.4	506	40.7	515	44.1	524	47.6	543	55.2	559	62.1	572	68.5	587	75.2
98048	3200	510	37.6	518	40.8	526	44.1	534	47.5	543	51.1	552	54.6	569	62.3	587	70.6	600	77.4	612	84.4
104176	3400	541	44.7	548	48.0	556	51.6	563	54.9	572	58.8	580	62.6	596	70.4	613	79.1	628	87.4	640	94.4
110304	3600	572	52.7	579	56.1	588	60.0	593	63.5	601	67.3	609	71.4	624	79.5	640	88.2	656	97.6	668	106
116432	3800	603	61.6	609	65.1	616	69.0	623	73.0	630	76.6	637	81.0	652	89.5	667	98.4	682	108	696	118
cfm	ov	4 SP		4-1/2 SP		5 SP		5-1/2 SP		6 SP		7 SP		8 SP		9 SP		10 SP		11 SP	
		rpm	bhp	rpm	bhp	rpm	bhp	rpm	bhp	rpm	bhp	rpm	bhp	rpm	bhp	rpm	bhp	rpm	bhp	rpm	bhp
55152	1800	471	41.3	490	46.0	510	51.4														
58216	1900	481	44.3	499	49.0	517	54.0	536	59.7												
61280	2000	491	47.3	508	52.3	526	57.3	543	62.6	560	68.4										
67408	2200	512	53.7	529	59.3	548	64.7	561	70.2	577	75.7	608	87.6	641	101						
73536	2400	534	60.3	550	66.4	566	72.7	581	78.7	596	84.6	625	96.6	654	109	683	124				
79664	2600	556	67.4	572	74.1	588	80.7	602	87.4	617	94.2	644	107	671	120	698	133	725	148	752	164
85792	2800	579	75.1	595	82.2	610	89.4	624	96.5	638	104	665	118	691	132	716	146	741	160	765	175
91920	3000	602	83.0	617	90.3	632	98.6	647	106	660	114	687	129	712	145	736	160	760	175	783	190
98048	3200	626	92.0	641	100	655	108	669	117	683	125	709	141	734	158	757	174	780	190	802	206
104176	3400	652	102	665	110	679	119	692	127	706	136	731	154	756	171	779	188	801	206	822	223
110304	3600	679	113	691	121	705	130	716	139	729	148	754	167	778	185	801	203	823	222	844	241
116432	3800	707	126	718	134	729	142	741	152	753	161	777	180	800	200	823	219	849	239	865	258
122560	4000	736	140	746	148	756	156	765	165	777	175	800	195	823	215	845	236	867	256	887	277
128688	4200	763	153	774	163	784	172	793	181	803	190	825	210	847	231	868	253	889	275	910	296
134816	4400	789	167	802	179	812	189	821	198	830	207	850	227	871	249	891	271	912	294	932	317
140944	4600	815	182	828	194	840	206	850	217	859	226	876	246	895	267	915	290	935	313	955	338
147072	4800	842	199	854	210	866	223	878	235	887	246	903	266	921	288	940	311	959	334	978	359
153200	5000	870	216	881	228	892	241	904	254	915	267	932	289	948	310	965	333	983	357	1002	382
cfm	ov	12 SP		13 SP		14 SP		15 SP		16 SP		17 SP		18 SP		19 SP		20 SP		22 SP	
		rpm	bhp	rpm	bhp	rpm	bhp	rpm	bhp	rpm	bhp	rpm	bhp	rpm	bhp	rpm	bhp	rpm	bhp	rpm	bhp
85792	2800	791	192	817	210																
91920	3000	805	205	829	222	853	240	877	260												
98048	3200	824	222	845	238	867	255	889	273	911	293	934	314								
104176	3400	843	240	864	257	884	274	905	291	925	309	945	329	967	350						
110304	3600	864	259	884	277	904	295	923	313	942	331	961	349	980	368	1000	389	1020	412	1071	477
116432	3800	885	278	905	298	924	315	943	335	962	354	980	373	998	392	1016	412	1034	432	1071	477
122560	4000	907	297	926	318	945	339	963	359	981	378	999	398	1017	418	1034	438	1051	458	1085	500
128688	4200	929	318	948	339	967	361	985	383	1002	405	1019	425	1037	446	1054	467	1070	488	1103	530
134816	4400	952	339	970	361	989	384	1006	407	1024	429	1041	452	1057	479	1074	496	1090	518	1122	562
140944	4600	974	361	993	385	1011	408	1028	432	1045	455	1062	479	1079	503	1095	527	1110	550	1142	595
147072	4800	997	384	1015	409	1033	433	1051	458	1068	482	1084	507	1100	532	1116	556	1132	581	1162	630
153200	5000	1020	407	1038	434	1056	459	1073	485	1090	510	1106	536	1122	561	1138	587	1153	613	1183	665
159328	5200	1044	432	1061	459	1079	486	1096	513	1112	539	1129	566	1144	593	1160	619	1175	646	1205	699
165456	5400	1068	458	1085	485	1102	513	1118	542	1135	570	1151	597	1167	625	1182	652	1197	680	1224	735
171584	5600	1092	486	1109	514	1125	542	1141	571												



TYPE

A

CLASS

MAX. RPM

Wheel

80 3/4" Dia.
21.1' Circ.

Outlet

62 1/2 x 87 1/2
37.49 Sq. Ft.

Inlet

84" Dia.
38.0 Sq. Ft.

807
SWSI

- I
- II
- III
- IV
- V
- VI

521

662

829

948

1066

1185

Max bhp = 654 rpm
1000³

cfm	ov	1/4 SP		1/2 SP		3/4 SP		1 SP		1-1/4 SP		1-1/2 SP		2 SP		2-1/2 SP		3 SP		3-1/2 SP			
		rpm	bhp	rpm	bhp	rpm	bhp	rpm	bhp	rpm	bhp	rpm	bhp	rpm	bhp	rpm	bhp	rpm	bhp	rpm	bhp	rpm	bhp
33741	900	153	2.16	176	3.54	195	4.96	213	6.32	231	7.87	253	10.5	290	15.5								
37490	1000	166	2.67	186	4.12	205	5.68	222	7.23	238	8.76	253	10.5	290	15.5								
41239	1100	178	3.19	197	4.75	215	6.48	231	8.21	246	9.90	261	11.6	312	20.2								
44988	1200	190	3.80	208	5.50	225	7.34	241	9.22	256	11.1	269	12.9	295	16.7								
48737	1300	203	4.50	220	6.38	236	8.26	251	10.3	266	12.3	279	14.4	303	18.4	328	22.6	357	29.4				
52486	1400	216	5.31	233	7.40	247	9.30	262	11.5	276	13.7	289	15.9	312	20.2	335	24.5	381	36.7	385	36.7		
56235	1500	229	6.23	246	8.44	259	10.5	272	12.7	286	15.1	299	17.4	322	22.2	343	26.7	364	31.4	385	36.7		
59984	1600	242	7.26	257	9.54	271	11.8	283	14.1	296	16.6	309	19.1	332	24.1	352	29.1	372	33.9	392	39.0		
63733	1700	255	8.39	270	10.8	284	13.4	295	15.6	307	18.1	319	20.8	342	26.1	362	31.5	381	36.7	400	41.9		
67482	1800	268	9.71	282	12.2	296	14.9	307	17.3	318	19.9	329	22.6	352	28.3	372	33.9	391	39.6	409	45.1		
71231	1900	282	11.2	295	13.7	308	16.5	320	19.3	329	21.8	340	24.6	362	30.6	382	36.5	400	42.5	418	48.4		
74980	2000	295	12.8	308	15.4	320	18.2	333	21.4	342	23.9	351	26.8	372	32.9	392	39.2	410	45.5	427	51.8		
82478	2200	323	16.4	333	19.2	345	22.2	356	25.5	367	28.9	375	31.7	394	38.0	412	45.0	430	51.9	447	58.7		
89976	2400	350	20.7	360	23.6	370	27.0	381	30.4	392	34.1	401	37.7	416	44.0	433	51.1	451	58.8	467	66.3		
97474	2600	378	25.7	387	29.0	396	32.4	406	36.0	415	39.8	425	43.9	441	51.0	456	58.3	472	66.1	488	74.4		
104972	2800	405	31.6	414	35.2	422	38.6	431	42.5	440	46.4	449	50.6	467	59.2	480	66.4	494	74.4	509	82.9		
112470	3000	433	38.3	441	42.1	449	45.7	457	49.8	465	53.9	474	58.2	491	67.5	505	76.0	517	83.8	531	92.5		
119968	3200	461	46.0	468	49.9	476	54.0	483	58.1	491	62.5	499	66.9	515	76.3	531	86.4	542	94.7	554	103		
127466	3400	489	54.7	496	58.7	503	63.2	509	67.1	517	71.9	524	76.6	539	86.2	554	96.8	568	107	578	115		
134964	3600	517	64.5	523	68.6	530	73.4	536	77.7	543	82.4	550	87.3	564	97.3	578	108	593	119	604	129		
142462	3800	545	75.4	551	79.6	557	84.5	564	89.3	576	93.7	589	99.1	599	110	603	120	616	132	630	144		
cfm	ov	4 SP		4-1/2 SP		5 SP		5-1/2 SP		6 SP		7 SP		8 SP		9 SP		10 SP		11 SP			
		rpm	bhp	rpm	bhp	rpm	bhp	rpm	bhp	rpm	bhp	rpm	bhp	rpm	bhp	rpm	bhp	rpm	bhp	rpm	bhp	rpm	bhp
67482	1800	426	50.5	443	56.3	461	62.9																
71231	1900	435	54.1	451	60.0	467	66.1	484	73.0														
74980	2000	444	57.9	460	64.0	475	70.1	491	76.5	507	83.7												
82478	2200	463	65.7	478	72.6	493	79.2	507	85.9	521	92.6	550	107	579	124								
89976	2400	483	73.8	497	81.3	512	88.9	525	96.3	539	104	565	118	591	134	618	151						
97474	2600	503	82.5	517	90.6	531	98.7	543	107	558	115	583	131	607	147	631	163	655	181	680	201		
104972	2800	523	91.8	538	101	551	109	564	118	577	127	601	145	625	162	648	179	670	196	692	214		
112470	3000	544	102	558	111	572	121	585	130	597	139	621	158	644	177	665	195	687	214	708	232		
119968	3200	566	113	579	122	592	132	605	143	617	153	641	173	663	193	684	213	705	232	725	252		
127466	3400	589	125	601	135	614	145	626	156	638	167	661	188	683	209	704	230	724	252	743	273		
134964	3600	614	139	624	149	636	159	647	170	659	181	681	204	703	227	724	249	744	272	763	294		
142462	3800	639	154	649	164	659	174	669	185	680	197	702	220	724	245	744	268	764	292	782	316		
149960	4000	665	171	674	181	683	191	693	202	703	214	724	238	744	263	764	289	784	314	802	339		
157458	4200	690	187	700	200	709	211	717	221	726	233	746	257	765	283	785	310	804	336	822	363		
164956	4400	713	204	725	219	734	231	743	242	751	254	768	278	787	304	806	331	825	360	843	387		
172454	4600	737	223	748	237	760	252	768	265	776	277	792	301	809	327	828	355	845	383	863	413		
179952	4800	761	243	772	257	783	273	794	288	802	301	817	326	833	352	850	380	867	409	884	439		
187450	5000	786	265	796	279	807	295	817	311	827	327	842	353	857	379	872	407	889	437	906	467		
cfm	ov	12 SP		13 SP		14 SP		15 SP		16 SP		17 SP		18 SP		19 SP		20 SP		22 SP			
		rpm	bhp	rpm	bhp	rpm	bhp	rpm	bhp	rpm	bhp	rpm	bhp	rpm	bhp	rpm	bhp	rpm	bhp	rpm	bhp	rpm	bhp
104972	2800	715	235	738	257																		
112470	3000	728	251	749	271	771	294	793	318														
119968	3200	745	271	764	291	783	312	803	334	824	359	844	384										
127466	3400	762	293	781	314	800	335	818	356	836	378	855	403	874	428								
134964	3600	781	317	799	338	812	360	835	382	852	404	869	427	886	451	904	476	922	504				
142462	3800	800	340	818	364	835	387	852	410	869	433	886	456	902	480	918	504	935	529	968	584		
149960	4000	820	364	838	389	854	415	871	439	887	463	903	487	919	512	935	536	950	561	981	612		
157458	4200	840	389	857	415	874	441	890	468	906	495	922	520	937	545	952	571	968	597	997	648		
164956	4400	860	415	877	442	894	470	910	498	926	525	941	553	956	581	971	607	985	633	1014	687		
172454	4600	881	442	898	471	914	499	930	528	945	557	960	586	975	615	990	645	1004	673	1032	728		
179952	4800	901	470																				

Wheel 89" Dia.
23.3' Circ.

Outlet 68 7/8 x 96 1/2
45.54 Sq. Ft.

Inlet 92 1/2" Dia.
46.3 Sq. Ft.

Max bhp = 1080 ^{rpm}
1000

CLASS MAX. RPM

- I 473
- II 600
- III 752
- IV 860
- V 966
- VI 1070



890
SWSI

cfm	ov	1/4 SP		1/2 SP		3/4 SP		1 SP		1-1/4 SP		1-1/2 SP		2 SP		2-1/2 SP		3 SP		3-1/2 SP	
		rpm	bhp	rpm	bhp	rpm	bhp	rpm	bhp	rpm	bhp	rpm	bhp	rpm	bhp	rpm	bhp	rpm	bhp	rpm	bhp
40986	900	139	2.63	160	4.30	177	6.02	193	7.68	209	9.56	230	12.7								
45540	1000	151	3.24	169	5.00	186	6.90	201	8.79	216	10.6	230	14.1	263	18.8						
50094	1100	162	3.88	179	5.78	195	7.87	210	9.97	223	12.0	236	14.1	263	18.8						
54648	1200	173	4.61	189	6.68	204	8.92	219	11.2	232	13.5	244	15.7	268	20.3						
59202	1300	184	5.47	200	7.75	214	10.0	228	12.5	241	15.0	253	17.5	275	22.3	297	27.5				
63756	1400	196	6.45	212	8.99	224	11.3	237	13.9	250	16.6	262	19.3	283	24.5	304	29.7	324	35.7		
68310	1500	207	7.57	223	10.3	235	12.7	247	15.4	259	18.3	271	21.2	292	26.9	312	32.4	330	38.1	350	44.6
72864	1600	219	8.82	233	11.6	246	14.4	257	17.1	269	20.1	280	23.2	301	29.3	320	35.3	338	41.2	355	47.3
77418	1700	231	10.2	245	13.1	258	16.2	267	19.0	278	22.0	289	25.3	310	31.8	328	38.3	346	44.6	363	50.9
81972	1800	243	11.8	256	14.8	269	18.1	278	21.0	288	24.1	299	27.5	319	34.4	337	41.2	354	48.2	371	54.7
86526	1900	256	13.6	267	16.6	280	20.0	290	23.4	299	26.5	309	29.9	328	37.1	346	44.4	363	51.6	379	58.8
91080	2000	268	15.5	279	18.7	290	22.2	302	25.9	310	29.1	319	32.5	338	40.0	356	47.6	372	55.2	388	62.9
100188	2200	293	19.9	303	23.3	313	27.0	323	31.0	333	35.1	341	38.5	357	46.2	374	54.6	390	63.0	405	71.3
109296	2400	317	25.1	326	28.7	336	32.8	345	36.9	355	41.4	364	45.8	378	53.4	393	62.1	409	71.4	424	80.5
118404	2600	343	31.2	351	35.2	359	39.4	368	43.7	377	48.3	386	53.3	400	62.0	413	70.8	428	80.3	442	90.3
127512	2800	368	38.4	375	42.7	383	46.9	391	51.6	399	56.4	408	61.4	423	71.9	435	80.6	448	90.4	461	101
136620	3000	393	46.5	400	51.2	407	55.5	415	60.5	422	65.5	430	70.7	446	82.0	458	92.3	469	102	481	112
145728	3200	418	55.9	425	60.6	432	65.6	438	70.5	446	75.9	453	81.2	467	92.7	481	105	492	115	502	125
154836	3400	444	66.5	450	71.3	456	76.7	462	81.5	469	87.4	476	93.0	489	105	503	118	515	130	525	140
163944	3600	469	78.4	475	83.3	481	89.1	487	94.4	493	100	499	106	512	118	525	131	538	145	548	157
173052	3800	494	91.6	500	96.7	506	103	511	109	516	114	523	120	535	133	547	146	559	160	571	175
cfm	ov	4 SP		4-1/2 SP		5 SP		5-1/2 SP		6 SP		7 SP		8 SP		9 SP		10 SP		11 SP	
		rpm	bhp	rpm	bhp	rpm	bhp	rpm	bhp	rpm	bhp	rpm	bhp	rpm	bhp	rpm	bhp	rpm	bhp	rpm	bhp
81972	1800	386	61.4	402	68.4	418	76.5														
86526	1900	394	65.8	409	72.8	424	80.3	439	88.7												
91080	2000	402	70.3	417	77.7	431	85.2	445	93.0	460	102										
100188	2200	420	79.8	434	88.2	447	96.2	460	104	473	113	499	130	526	151						
109296	2400	438	89.6	451	98.8	464	108	477	117	489	126	513	144	536	162	560	184				
118404	2600	456	100	469	110	482	120	494	130	506	140	529	159	551	178	572	198	594	220	617	244
127512	2800	475	112	488	122	500	133	512	143	524	154	546	176	567	196	588	217	608	238	628	260
136620	3000	494	123	506	135	519	147	530	158	542	169	563	192	584	215	604	237	625	260	642	282
145728	3200	514	137	526	149	537	161	549	173	560	185	581	210	602	234	621	259	640	282	658	306
154836	3400	535	152	546	164	557	176	568	189	579	202	600	228	620	254	639	280	657	306	674	332
163944	3600	557	168	567	180	577	193	587	206	598	220	618	248	638	275	657	302	675	330	692	358
173052	3800	580	187	589	199	598	212	607	225	617	239	637	268	656	297	675	326	693	355	710	384
182160	4000	604	208	612	220	620	232	629	245	638	260	657	289	675	320	693	351	711	381	728	412
191268	4200	626	228	635	243	643	256	651	269	659	283	676	313	694	344	712	376	729	408	746	440
200376	4400	647	248	658	266	666	281	674	294	681	308	697	338	714	370	731	403	748	437	765	471
209484	4600	669	271	679	288	689	306	697	322	704	336	719	365	734	398	751	431	767	466	783	502
218592	4800	691	295	700	313	710	331	720	350	728	366	741	395	755	428	771	462	787	497	802	533
227700	5000	713	321	723	339	732	358	742	378	751	397	764	429	777	460	792	495	806	530	822	567
cfm	ov	12 SP		13 SP		14 SP		15 SP		16 SP		17 SP		18 SP		19 SP		20 SP		22 SP	
		rpm	bhp	rpm	bhp	rpm	bhp	rpm	bhp	rpm	bhp	rpm	bhp	rpm	bhp	rpm	bhp	rpm	bhp	rpm	bhp
127512	2800	649	285	670	312																
136620	3000	661	305	680	330	699	357	719	386												
145728	3200	676	330	693	354	711	379	729	406	747	435	766	466								
154836	3400	692	356	709	382	725	407	742	433	758	460	775	489	793	520						
163944	3600	709	385	725	411	741	438	757	465	773	491	788	519	804	547	820	579	837	612		
173052	3800	726	413	742	442	758	470	773	498	789	526	804	554	818	583	833	612	848	642	879	709
182160	4000	744	442	760	473	775	504	790	534	805	562	820	592	834	622	848	651	862	681	890	744
191268	4200	762	472	778	504	793	536	808	569	822	601	836	632	850	662	864	693	878	725	905	787
200376	4400	781	504	796	537	811	571	825	604	840	638	854	672	867	706	881	737	894	769	920	835
209484	4600	799	537	814	572	829	607	843	641	857	677	871	712	885	747	898	783	911	817	936	884
218592	4800	818	571	833	608	847	644	862	681	876	717	889	753	902	790	916	827	928	864	953	936
227700	5000	837	605	851	645	866	683	880	721	894	759	907	796	920	834	933	873	946	911	971	988
236808	5200	856	642	870	682	885	723	899	762	912	802	926	841	939	881	951	920	964	960	988	1040
245916	5400	876	681	890	721	904	763	917	805	931	847	944	888	957	929	970	970	982	1010	1006	1092
255024	5600	896	723	909	764	923	805	936	848	950	892	963	935	975	978	988	1020	1000	1063	1024	



TYPE
A

982
SWSI

CLASS MAX. RPM

- I 428**
- II 544**
- III 681**
- IV 779**
- V 876**
- VI 973**

**Wheel 98 1/4" Dia.
25.7' Circ.**

**Outlet 76 x 106 1/2
55.50 Sq. Ft.**

**Inlet 102" Dia.
56.1 Sq. Ft.**

Max bhp = 1760 ³ rpm/1000

cfm	ov	1/4 SP		1/2 SP		3/4 SP		1 SP		1-1/4 SP		1-1/2 SP		2 SP		2-1/2 SP		3 SP		3-1/2 SP		
		rpm	bhp	rpm	bhp	rpm	bhp	rpm	bhp	rpm	bhp	rpm	bhp	rpm	bhp	rpm	bhp	rpm	bhp	rpm	bhp	
49950	900	126	3.20	144	5.24	161	7.34	175	9.35	189	11.6	208	15.5	238	23.0							
55500	1000	137	3.95	153	6.09	168	8.41	182	10.7	195	13.0	214	17.1	238	23.0							
61050	1100	146	4.73	162	7.04	177	9.60	190	12.2	202	14.7	214	17.1	238	23.0							
66600	1200	156	5.62	171	8.14	185	10.9	198	13.7	210	16.5	221	19.2	243	24.7	269	33.5	275	36.3	294	43.5	
72150	1300	167	6.66	181	9.44	194	12.2	207	15.3	218	18.3	229	21.3	249	27.2	269	33.5	275	36.3	294	43.5	
77700	1400	177	7.87	192	11.0	203	13.8	215	17.0	227	20.2	237	23.5	257	29.9	269	33.5	275	36.3	294	43.5	
83250	1500	188	9.22	202	12.5	212	15.5	224	18.8	235	22.9	245	25.8	264	32.8	282	39.5	299	46.4	317	54.4	
88800	1600	199	10.7	212	14.1	223	17.5	233	20.8	243	24.5	254	28.2	272	35.7	290	43.0	306	50.2	322	57.7	
94350	1700	209	12.4	222	15.9	233	19.8	242	23.1	252	26.8	262	30.8	281	38.7	298	46.6	313	54.3	329	62.0	
99900	1800	220	14.4	232	18.0	244	22.1	252	25.6	261	29.4	271	33.5	289	41.9	306	50.3	321	58.7	336	66.7	
105450	1900	232	16.5	242	20.3	253	24.4	263	28.5	271	32.3	280	36.4	297	45.3	314	54.1	329	62.9	343	71.6	
111000	2000	243	18.9	253	22.8	263	27.0	273	31.6	281	35.4	289	39.6	306	48.8	322	58.1	337	67.3	351	76.7	
122100	2200	265	24.2	274	28.4	283	32.9	293	37.8	302	42.8	308	46.9	323	56.3	339	66.6	354	76.8	367	86.9	
133200	2400	288	30.6	295	35.0	304	39.9	313	44.9	322	50.5	330	55.8	342	65.1	356	75.7	370	87.0	384	98.1	
144300	2600	310	38.1	318	42.9	326	46.0	333	53.3	341	58.9	350	65.0	362	75.5	375	86.2	388	97.8	401	110	
155400	2800	333	46.7	340	52.0	347	57.2	354	62.9	362	68.7	369	74.8	384	87.7	394	98.3	406	110	418	123	
166500	3000	356	56.7	363	62.3	369	67.7	376	73.8	383	79.9	389	86.2	404	100	415	112	425	124	436	137	
177600	3200	379	68.1	385	73.9	391	79.9	397	86.0	404	92.5	410	99.0	423	113	436	128	448	140	455	153	
188700	3400	402	81.0	407	86.9	413	93.5	419	99.4	425	106	431	113	443	128	456	143	467	158	475	171	
199800	3600	425	95.5	430	102	436	109	441	115	446	122	452	129	464	144	475	160	487	177	496	192	
210900	3800	448	112	453	118	458	125	463	132	468	139	474	147	484	162	495	178	506	195	517	213	
cfm	ov	4 SP		4-1/2 SP		5 SP		5-1/2 SP		6 SP		7 SP		8 SP		9 SP		10 SP		11 SP		
		rpm	bhp	rpm	bhp	rpm	bhp	rpm	bhp	rpm	bhp	rpm	bhp	rpm	bhp	rpm	bhp	rpm	bhp	rpm	bhp	
99900	1800	350	74.8	364	83.4	379	93.2															
105450	1900	357	80.2	371	88.8	384	97.8	398	108													
111000	2000	365	85.7	378	94.7	391	104	403	113	416	124											
122100	2200	380	97.2	393	107	405	117	412	127	428	137	452	159	476	184							
133200	2400	397	109	409	120	420	132	432	143	443	153	464	175	486	198	508	224					
144300	2600	413	122	425	134	437	146	448	158	458	171	479	194	499	217	518	241	538	268	559	298	
155400	2800	430	136	442	149	453	162	464	175	474	188	494	214	513	239	532	265	550	290	569	317	
166500	3000	447	150	459	165	470	179	480	193	491	206	510	234	529	262	547	289	564	316	582	343	
177600	3200	465	167	476	181	487	196	497	211	507	226	527	256	545	285	563	315	579	344	596	373	
188700	3400	484	185	494	199	504	215	514	230	524	247	543	278	561	310	579	341	595	373	611	404	
199800	3600	505	205	513	220	522	235	532	251	541	268	560	302	578	335	595	369	611	402	627	436	
210900	3800	526	228	533	242	541	258	550	274	559	291	577	326	595	362	611	397	628	433	643	468	
222000	4000	547	253	554	268	561	283	569	300	578	317	595	352	612	390	628	427	644	464	659	502	
233100	4200	567	278	575	296	582	312	589	327	597	345	613	381	629	419	645	459	661	498	676	537	
244200	4400	586	303	596	324	604	342	610	359	617	375	631	412	647	450	662	491	678	533	693	573	
255300	4600	606	330	615	351	624	373	632	392	638	410	651	445	665	485	680	525	695	568	710	612	
266400	4800	626	360	635	381	644	404	652	426	659	446	671	482	684	521	698	563	713	606	727	650	
277500	5000	646	392	655	413	663	436	672	460	680	483	692	523	704	561	717	603	731	646	744	691	
cfm	ov	12 SP		13 SP		14 SP		15 SP		16 SP		17 SP		18 SP		19 SP		20 SP		22 SP		
		rpm	bhp	rpm	bhp	rpm	bhp	rpm	bhp	rpm	bhp	rpm	bhp	rpm	bhp	rpm	bhp	rpm	bhp	rpm	bhp	
155400	2800	588	348	607	380	634	435	652	470													
166500	3000	598	371	616	402	634	462	660	495	677	531	694	568									
177600	3200	612	402	628	431	644	462	660	495	677	531	694	568									
188700	3400	627	434	642	465	657	496	672	527	687	560	702	596	718	634	743	705	758	745	796	864	
199800	3600	642	469	657	501	672	534	686	566	700	599	714	632	728	667	710	755	746	783			
210900	3800	658	503	672	539	687	573	701	607	714	641	728	676	741	710	755	746	783				
222000	4000	674	538	688	576	702	614	716	650	729	685	742	721	756	758	768	794	781	830	806	906	
233100	4200	690	576	705	614	718	654	732	693	745	733	757	770	770	807	793	845	795	883	819	959	
244200	4400	707	614	721	655	735	695	748	737	761	778	773	819	786	860	798	898	810	938	834	1018	
255300	4600	724	654	738	697	751	739	764	782	777	824	789	868	801	911	813	954	825	996	848	1077	
266400	4800	741	696	754	740	768	785	781	830	793	874	805	918	817	963	829	1008	841	1053	863	1141	
277500	5000	758	738	771	786	784	832	797	878	810	925	822	971	834	1017	845	1063	857	1110	879	1204	
288600	5200	775	782	789	831	801	881	814	929	826	977	838	1025	850	1073	862	1121	873	1169	895	1267	
299700	5400	793	830	806	879	818	930	831	982	843	1032	855										



TYPE
A

**245
DWDI**

CLASS	MAX. RPM
I	1715
II	2182
III	2730
IV	3120
V	3510
VI	3900

Wheel **24 1/2" Dia.**
6.41' Circ.

Outlet **34 3/4" x 26 3/8"**
6.23 Sq. Ft.

Inlet **29 3/4" Dia.**
9.52 Sq. Ft.

Max bhp = 3.32 rpm
1000³

cfm	OV	1/4 SP		1/2 SP		3/4 SP		1 SP		1-1/4 SP		1-1/2 SP		2 SP		2-1/2 SP		3 SP		3-1/2 SP	
		rpm	bhp	rpm	bhp	rpm	bhp	rpm	bhp	rpm	bhp	rpm	bhp	rpm	bhp	rpm	bhp	rpm	bhp	rpm	bhp
5607	900	493	.39	572	.64	643	.90	703	1.15	756	1.40	811	1.87								
6230	1000	531	.48	602	.74	671	1.04	732	1.32	784	1.60	831	2.11	947	2.72						
6853	1100	571	.59	635	.87	695	1.18	759	1.50	813	1.81										
7476	1200	611	.71	670	1.00	729	1.33	788	1.68	840	2.02	889	2.37	972	3.01						
8099	1300	650	.84	707	1.16	762	1.50	816	1.86	869	2.29	916	2.62	1002	3.35	1076	4.05				
8722	1400	690	.99	746	1.34	796	1.70	846	2.07	897	2.48	945	2.90	1031	3.70	1104	4.45	1172	5.22		
9345	1500	730	1.16	785	1.55	832	1.91	880	2.31	926	2.72	973	3.17	1058	4.03	1134	4.89	1200	5.69	1263	6.52
9968	1600	771	1.35	826	1.78	869	2.15	914	2.57	958	3.00	1002	3.45	1086	4.40	1162	5.32	1229	6.20	1290	7.09
10591	1700	813	1.56	865	2.01	907	2.42	949	2.84	991	3.30	1032	3.76	1115	4.77	1189	5.73	1259	6.72	1320	7.64
11214	1800	855	1.80	904	2.28	947	2.72	986	3.15	1026	3.62	1065	4.11	1143	5.13	1218	6.20	1286	7.22	1349	8.25
11837	1900	897	2.07	944	2.56	987	3.05	1024	3.49	1061	3.97	1099	4.48	1172	5.52	1246	6.66	1313	7.75	1377	8.85
12460	2000	940	2.36	983	2.87	1027	3.40	1062	3.87	1098	4.35	1133	4.88	1204	5.96	1275	7.11	1342	8.30	1403	9.43
13706	2200	1026	3.04	1065	3.57	1105	4.16	1143	4.73	1174	5.23	1206	5.77	1271	6.93	1334	8.12	1399	9.40	1461	10.7
14952	2400	1113	3.84	1148	4.40	1185	5.04	1221	5.68	1253	6.27	1282	6.81	1341	8.02	1400	9.31	1458	10.6	1517	12.0
16198	2600	1201	4.78	1232	5.38	1265	6.04	1300	6.74	1333	7.43	1361	8.05	1415	9.26	1470	10.6	1524	12.0	1577	13.4
17444	2800	1289	5.89	1318	6.50	1348	7.19	1379	7.94	1411	8.68	1442	9.43	1491	10.7	1542	12.1	1593	13.6	1644	15.1
18690	3000	1377	7.15	1404	7.79	1431	8.50	1460	9.28	1490	10.1	1519	10.9	1571	12.4	1617	13.7	1664	15.3	1712	16.9
19936	3200	1465	8.59	1490	9.26	1516	10.0	1543	10.8	1570	11.7	1598	12.5	1651	14.2	1695	15.7	1738	17.2	1783	18.8
21182	3400	1554	10.2	1577	10.9	1601	11.7	1626	12.5	1651	13.4	1678	14.3	1729	16.1	1775	17.8	1815	19.3	1857	21.0
22428	3600	1643	12.0	1664	12.8	1687	13.6	1710	14.4	1734	15.3	1758	16.3	1808	18.2	1855	20.1	1894	21.8	1932	23.4
23674	3800	1732	14.1	1752	14.8	1773	15.7	1795	16.5	1817	17.3	1840	18.4	1887	20.5	1933	22.5	1975	24.4	2011	26.1
cfm	OV	4 SP		4-1/2 SP		5 SP		5-1/2 SP		6 SP		7 SP		8 SP		9 SP		10 SP		11 SP	
		rpm	bhp	rpm	bhp	rpm	bhp	rpm	bhp	rpm	bhp	rpm	bhp	rpm	bhp	rpm	bhp	rpm	bhp	rpm	bhp
11214	1800	1408	9.21	1458	10.2	1512	11.2														
11837	1900	1435	9.91	1488	10.9	1538	11.9	1588	13.0												
12460	2000	1463	10.6	1518	11.7	1568	12.8	1615	13.8	1663	14.9										
13706	2200	1518	12.0	1573	13.2	1626	14.5	1675	15.7	1720	16.9	1806	19.2	1895	21.8						
14952	2400	1576	13.5	1630	14.8	1680	16.2	1731	17.6	1779	19.0	1865	21.5	1945	24.1	2024	26.8				
16198	2600	1632	14.9	1687	16.5	1738	18.0	1786	19.5	1833	21.0	1923	24.0	2004	26.8	2079	29.8	2151	32.4	2226	36.4
17444	2800	1693	16.6	1743	18.2	1794	19.9	1844	21.5	1890	23.2	1977	26.3	2062	29.6	2138	32.6	2209	35.8	2276	38.6
18690	3000	1758	18.5	1805	20.1	1852	21.8	1900	23.6	1947	25.4	2035	28.9	2115	32.3	2195	35.8	2268	39.1	2335	42.3
19936	3200	1828	20.5	1872	22.3	1916	24.0	1959	25.7	2003	27.6	2092	31.6	2173	35.2	2248	38.8	2324	42.5	2395	46.1
21182	3400	1898	22.8	1941	24.6	1982	26.4	2023	28.3	2064	30.1	2146	34.0	2230	38.2	2307	42.1	2377	45.9	2450	49.9
22428	3600	1972	25.2	2011	27.1	2051	29.0	2090	30.9	2130	32.8	2207	36.8	2286	41.0	2364	45.4	2436	49.6	2503	53.6
23674	3800	2047	27.9	2085	29.8	2122	31.8	2160	33.8	2197	35.8	2271	40.0	2344	44.2	2420	48.7	2493	53.3	2562	57.7
24920	4000	2125	30.9	2160	32.8	2195	34.8	2231	36.9	2267	39.0	2338	43.3	2407	47.7	2477	52.1	2549	56.9	2619	61.8
26166	4200	2204	34.3	2237	36.2	2270	38.1	2304	40.3	2338	42.4	2406	46.9	2474	51.5	2539	56.0	2606	60.7	2675	65.7
27412	4400	2285	37.9	2316	39.8	2347	41.8	2379	43.9	2412	46.1	2476	50.7	2541	55.4	2605	60.3	2668	64.9	2732	69.9
28658	4600	2365	41.6	2397	43.8	2426	45.8	2456	47.9	2487	50.1	2548	54.8	2611	59.7	2672	64.6	2733	69.7	2793	74.6
29904	4800	2442	45.4	2477	47.9	2507	50.2	2535	52.3	2564	54.5	2623	59.2	2682	64.2	2742	69.3	2800	74.4	2859	79.7
31150	5000	2521	49.5	2555	52.2	2587	54.8	2615	57.0	2642	59.3	2698	63.9	2755	69.0	2812	74.2	2869	79.5	2926	85.0
cfm	OV	12 SP		13 SP		14 SP		15 SP		16 SP		17 SP		18 SP		19 SP		20 SP		22 SP	
		rpm	bhp	rpm	bhp	rpm	bhp	rpm	bhp	rpm	bhp	rpm	bhp	rpm	bhp	rpm	bhp	rpm	bhp	rpm	bhp
17444	2800	2345	41.8	2414	45.1																
18690	3000	2400	45.5	2462	48.7	2526	52.1	2592	55.7												
19936	3200	2459	49.6	2521	53.0	2580	56.4	2639	59.9	2699	63.9	2761	67.3								
21182	3400	2517	53.7	2580	57.5	2639	61.1	2696	64.7	2752	68.3	2808	72.1	2864	75.9	2970	85.3	3023	89.4		
22428	3600	2571	57.8	2636	62.0	2692	66.0	2756	69.9	2811	73.7	2865	77.5	2917	81.4	2970	91.4	3027	95.5	3177	104
23674	3800	2627	62.0	2690	66.3	2754	70.8	2814	75.1	2871	79.3	2924	83.3	2976	87.4						
24920	4000	2685	66.4	2747	71.0	2807	75.4	2868	80.1	2927	84.8	2983	89.3	3036	93.6	3086	97.9	3135	102	3231	111
26166	4200	2741	70.5	2805	75.8	2865	80.6	2922	85.3	2980	90.1	3038	95.1	3092	99.8	3146	105	3195	109	3290	118
27412	4400	2798	75.2	2861	80.6	2922	85.8	2981	90.8	3036	95.8	3091	101	3147	106	3201	111	3252	116	3350	126
28658	4600	2855	79.8	2917	85.3	2979	90.9	3038	96.4	3095	102	3149	107	3201	112	3254	117	3307	123	3407	133
29904	4800	2916	84.8	2975	90.3	3035	96.0	3094	102	3151	108	3207	113	3259	119	3310	124	3360	129	3462	141
31150	5000	2981	90.4	3037	95.8	3093	101	3150	107	3208	113	3263	120	3317	125	33					

Wheel 27" Dia.
7.07' Circ.

Outlet 37 3/4 x 29 3/8
7.55 Sq. Ft.

Inlet 33 3/4" Dia.
11.88 Sq. Ft.

Max bhp = 5.40 ³ rpm/1000

CLASS MAX. RPM

- I
- II
- III
- IV
- V
- VI

1556
1980
2476
2829
3180
3540



TYPE

A

**270
DWDI**

cfm	ov	1/4 SP		1/2 SP		3/4 SP		1 SP		1-1/4 SP		1-1/2 SP		2 SP		2-1/2 SP		3 SP		3-1/2 SP	
		rpm	bhp	rpm	bhp	rpm	bhp	rpm	bhp	rpm	bhp	rpm	bhp	rpm	bhp	rpm	bhp	rpm	bhp	rpm	bhp
6795	900	447	.48	519	.78	583	1.09	638	1.40	686	1.69										
7550	1000	482	.59	546	.90	609	1.26	664	1.60	711	1.93	754	2.26								
8305	1100	518	.72	576	1.05	635	1.42	689	1.81	738	2.20	780	2.56	860	3.30						
9060	1200	554	.86	608	1.22	662	1.61	715	2.04	762	2.45	807	2.87	882	3.65						
9815	1300	590	1.02	642	1.40	692	1.82	740	2.26	789	2.73	831	3.18	909	4.06	976	4.91				
10570	1400	626	1.20	677	1.62	723	2.05	768	2.51	814	3.01	858	3.51	935	4.48	1002	5.40	1064	6.32		
11325	1500	662	1.41	713	1.88	755	2.31	798	2.80	840	3.30	883	3.84	960	4.89	1029	5.92	1089	6.89	1146	7.90
12080	1600	700	1.64	749	2.15	789	2.60	829	3.11	869	3.64	909	4.18	986	5.33	1055	6.44	1116	7.51	1171	8.54
12835	1700	738	1.89	785	2.44	823	2.93	861	3.45	899	4.00	936	4.56	1012	5.78	1079	6.95	1142	8.14	1197	9.25
13590	1800	776	2.18	820	2.76	859	3.30	895	3.82	931	4.39	966	4.98	1037	6.22	1105	7.51	1167	8.75	1224	10.0
14345	1900	814	2.51	856	3.10	896	3.70	929	4.23	963	4.81	997	5.43	1064	6.69	1131	8.07	1192	9.39	1249	10.7
15100	2000	853	2.86	892	3.48	932	4.12	964	4.69	996	5.28	1028	5.91	1092	7.22	1156	8.62	1218	10.1	1273	11.4
16610	2200	931	3.68	966	4.33	1003	5.04	1037	5.73	1065	6.34	1094	6.99	1153	8.39	1210	9.84	1269	11.4	1326	13.0
18120	2400	1010	4.65	1042	5.34	1075	6.10	1108	6.88	1137	7.60	1163	8.26	1217	9.72	1271	11.3	1323	12.9	1377	14.5
19630	2600	1090	5.80	1118	6.52	1148	7.31	1179	8.17	1210	9.00	1235	9.76	1284	11.2	1333	12.9	1383	14.6	1431	16.3
21140	2800	1169	7.13	1196	7.88	1223	8.72	1252	9.62	1280	10.5	1308	11.4	1353	13.0	1399	14.7	1445	16.4	1491	18.3
22650	3000	1250	8.66	1274	9.45	1299	10.3	1325	11.2	1352	12.2	1379	13.2	1425	15.0	1467	16.7	1510	18.5	1553	20.4
24160	3200	1330	10.4	1352	11.2	1376	12.1	1400	13.1	1425	14.1	1450	15.2	1498	17.2	1538	19.0	1578	20.8	1618	22.8
25670	3400	1410	12.4	1431	13.2	1453	14.2	1475	15.2	1498	16.2	1522	17.3	1569	19.5	1611	21.6	1647	23.4	1685	25.4
27180	3600	1491	14.6	1510	15.5	1531	16.4	1552	17.5	1573	18.6	1595	19.7	1640	22.1	1683	24.4	1719	26.4	1753	28.4
28690	3800	1572	17.1	1590	18.0	1609	19.0	1629	20.0	1649	21.2	1669	22.4	1712	24.8	1754	27.3	1792	29.6	1824	31.7
cfm	ov	4 SP		4-1/2 SP		5 SP		5-1/2 SP		6 SP		7 SP		8 SP		9 SP		10 SP		11 SP	
		rpm	bhp	rpm	bhp	rpm	bhp	rpm	bhp	rpm	bhp	rpm	bhp	rpm	bhp	rpm	bhp	rpm	bhp	rpm	bhp
13590	1800	1275	11.2	1323	12.3	1372	13.5														
14345	1900	1303	12.0	1350	13.2	1396	14.5	1441	15.7												
15100	2000	1328	12.8	1377	14.2	1423	15.5	1466	16.8	1509	18.1										
16610	2200	1378	14.5	1428	16.0	1476	17.6	1520	19.0	1561	20.4	1639	23.3	1719	26.4						
18120	2400	1430	16.3	1479	18.0	1524	19.6	1571	21.3	1614	23.0	1692	26.1	1765	29.2	1837	32.5				
19630	2600	1481	18.1	1530	20.0	1577	21.9	1621	23.6	1663	25.4	1745	29.1	1818	32.5	1886	35.8	1952	39.3	2020	42.9
21140	2800	1536	20.1	1582	22.0	1628	24.1	1675	26.1	1715	28.1	1794	31.9	1871	35.8	1940	39.6	2004	43.2	2065	46.8
22650	3000	1595	22.7	1638	24.4	1681	26.4	1724	28.5	1767	30.8	1846	35.0	1920	39.1	1992	43.3	2058	47.4	2119	51.2
24160	3200	1658	24.9	1699	27.0	1738	29.1	1777	31.2	1818	33.4	1898	38.1	1972	42.6	2040	47.0	2109	51.5	2173	55.9
25670	3400	1722	27.6	1761	29.8	1799	32.0	1836	34.2	1873	36.4	1949	41.2	2024	46.2	2093	51.0	2157	55.6	2223	60.4
27180	3600	1789	30.5	1825	32.8	1861	35.1	1897	37.5	1932	39.9	2002	44.6	2075	49.7	2145	55.0	2210	60.1	2272	65.0
28690	3800	1858	33.8	1891	36.1	1925	38.5	1960	41.0	1994	43.4	2061	48.5	2127	53.5	2196	59.0	2262	64.6	2325	69.9
30200	4000	1928	37.5	1960	39.7	1992	42.2	2024	44.7	2057	47.3	2121	52.5	2184	57.8	2248	63.2	2313	69.0	2376	74.9
31710	4200	2000	41.5	2030	43.8	2060	46.2	2091	48.8	2121	51.4	2183	56.8	2245	62.4	2304	67.8	2365	73.6	2427	79.7
33220	4400	2074	45.9	2102	48.3	2130	50.7	2159	53.2	2188	55.9	2247	61.5	2306	67.2	2364	73.0	2421	78.7	2479	84.7
34730	4600	2146	50.4	2175	53.1	2202	55.6	2229	58.1	2257	60.7	2312	66.4	2369	72.3	2425	78.3	2480	84.4	2535	90.4
36240	4800	2216	55.0	2248	58.1	2275	60.8	2300	63.4	2326	66.1	2380	71.8	2433	77.8	2488	83.9	2541	90.2	2594	96.6
37750	5000	2287	60.0	2318	63.2	2348	66.4	2373	69.1	2398	71.9	2448	77.4	2500	83.6	2552	90.0	2603	96.4	2655	103
cfm	ov	12 SP		13 SP		14 SP		15 SP		16 SP		17 SP		18 SP		19 SP		20 SP		22 SP	
		rpm	bhp	rpm	bhp	rpm	bhp	rpm	bhp	rpm	bhp	rpm	bhp	rpm	bhp	rpm	bhp	rpm	bhp	rpm	bhp
21140	2800	2127	50.6	2191	54.6																
22650	3000	2178	55.1	2234	59.0	2292	63.2	2352	67.5												
24160	3200	2231	60.1	2287	64.2	2341	68.3	2395	72.6	2449	77.0	2505	81.6								
25670	3400	2284	65.1	2341	69.7	2395	74.0	2447	78.4	2497	82.8	2548	87.3	2599	92.0						
27180	3600	2333	70.0	2392	75.1	2449	80.0	2501	84.7	2551	89.3	2600	94.0	2647	98.6	2695	103	2743	108		
28690	3800	2383	75.1	2441	80.4	2495	85.8	2553	91.0	2605	96.1	2653	101	2701	106	2747	111	2791	116	2833	126
30200	4000	2436	80.5	2493	86.0	2547	91.4	2603	97.1	2656	103	2707	108	2755	113	2800	119	2845	124	2892	134
31710	4200	2487	85.9	2545	91.8	2600	97.6	2652	103	2705	109	2757	115	2806	121	2854	127	2900	132	2945	143
33220	4400	2538	91.1	2596	97.6	2652	104	2705	110	2755	116	2805	122	2856	128	2904	135	2951	141	3000	152
34730	4600	2590	96.7	2647	103	2703	110	2757	117	2808	123	2857	130	2905	136	2953	142	3001	149	3092	161
36240	4800	2646	103	2700	109	2754	116	2808	123	2860	130	2910	137	2958	144	3004	150	3049	157	3141	171
37750	5000	2705	110	2755	116	2807	123	2859	130	2911	137	2961	145	3010	152	3057	159	3102	166	3189	179
39260	5200</																				



TYPE
A

300
DWDI

CLASS MAX. RPM

- I 1400**
- II 1784**
- III 2230**
- IV 2548**
- V 2865**
- VI 3185**

Wheel 30" Dia. 7.85' Circ.

Outlet 42 x 32 1/2 9.27 Sq. Ft.

Inlet 36 1/4" Dia. 14.14 Sq. Ft.

Max bhp = 9.22 ^{rpm} / 1000

cfm	OV	1/4 SP		1/2 SP		3/4 SP		1 SP		1-1/4 SP		1-1/2 SP		2 SP		2-1/2 SP		3 SP		3-1/2 SP	
		rpm	bhp	rpm	bhp	rpm	bhp	rpm	bhp	rpm	bhp	rpm	bhp	rpm	bhp	rpm	bhp	rpm	bhp	rpm	bhp
8343	900	403	.59	467	.95	525	1.34	574	1.71	617	2.08	679	2.78								
7770	1000	434	.72	491	1.11	548	1.54	598	1.97	640	2.37	692	3.14	774	4.05						
10197	1100	467	.88	519	1.29	571	1.75	620	2.23	664	2.70										
11124	1200	499	1.06	547	1.49	595	1.97	643	2.50	686	3.01	726	3.53	794	4.48						
12051	1300	531	1.25	578	1.72	622	2.24	666	2.77	710	3.35	748	3.90	818	4.98	878	6.03	957	7.77		
12978	1400	563	1.44	609	1.99	650	2.52	691	3.09	733	3.69	772	4.31	842	5.50	902	6.63				
13905	1500	596	1.73	641	2.30	679	2.84	718	3.44	756	4.05	795	4.72	864	6.00	926	7.27	980	8.46	1032	9.70
14832	1600	630	2.01	674	2.64	710	3.19	746	3.82	782	4.46	818	5.13	887	6.54	949	7.91	1004	9.22	1053	10.5
15759	1700	664	2.33	706	3.00	741	3.60	775	4.23	809	4.91	843	5.59	911	7.10	971	8.53	1028	10.0	1078	11.4
16686	1800	698	2.68	738	3.39	773	4.05	805	4.69	838	5.39	870	6.12	934	7.63	995	9.22	1050	10.7	1102	12.3
17613	1900	733	3.08	771	3.81	806	4.55	836	5.19	866	5.91	897	6.68	957	8.21	1018	9.91	1073	11.5	1125	13.2
18540	2000	768	3.51	803	4.27	839	5.06	868	5.75	896	6.48	926	7.26	983	8.96	1041	10.6	1096	12.4	1146	14.0
20394	2200	838	4.52	870	5.32	903	6.19	933	7.04	958	7.78	985	8.58	1038	10.3	1089	12.1	1142	14.0	1193	16.0
22248	2400	909	5.71	937	6.55	967	7.50	997	8.45	1024	9.33	1047	10.1	1095	11.9	1143	13.8	1191	15.8	1239	17.9
24102	2600	981	7.17	1006	8.00	1033	8.98	1061	10.0	1089	11.1	1112	12.0	1155	13.8	1200	15.8	1245	17.9	1288	20.0
25956	2800	1052	8.76	1076	9.65	1101	10.7	1127	11.8	1152	12.9	1177	14.0	1218	15.9	1259	18.0	1301	20.2	1342	22.9
27810	3000	1125	10.6	1146	11.6	1169	12.7	1192	13.8	1217	15.0	1241	16.2	1283	18.4	1320	20.5	1359	22.7	1398	25.1
29664	3200	1197	12.8	1217	13.8	1238	14.9	1260	16.1	1282	17.3	1305	18.6	1349	21.1	1384	23.3	1420	25.5	1456	28.0
31518	3400	1269	15.2	1288	16.2	1307	17.4	1328	18.6	1348	19.9	1370	21.3	1412	24.0	1449	26.5	1482	28.8	1516	31.2
33372	3600	1342	17.9	1359	19.0	1378	20.2	1396	21.4	1416	22.8	1436	24.2	1476	27.1	1515	29.9	1547	32.4	1578	34.8
35226	3800	1414	20.9	1431	22.1	1448	23.3	1466	24.6	1484	26.0	1503	27.4	1541	30.5	1579	33.5	1613	36.4	1642	38.9
cfm	OV	4 SP		4-1/2 SP		5 SP		5-1/2 SP		6 SP		7 SP		8 SP		9 SP		10 SP		11 SP	
		rpm	bhp	rpm	bhp	rpm	bhp	rpm	bhp	rpm	bhp	rpm	bhp	rpm	bhp	rpm	bhp	rpm	bhp	rpm	bhp
16686	1800	1148	13.7	1191	15.1	1234	16.6														
17613	1900	1172	14.7	1215	16.2	1256	17.8	1297	19.3												
18540	2000	1195	15.8	1240	17.4	1280	19.0	1319	20.6	1358	22.2										
20394	2200	1240	17.8	1285	19.7	1328	21.6	1368	23.4	1408	25.1	1475	28.6	1547	32.4						
22248	2400	1287	20.0	1331	22.1	1372	24.1	1414	26.2	1453	28.2	1523	32.1	1588	35.9	1653	39.9				
24102	2600	1333	22.2	1377	24.5	1419	26.8	1459	29.0	1497	31.2	1571	35.7	1636	39.9	1698	44.0	1757	48.2	1818	52.7
25956	2800	1383	24.7	1424	27.0	1465	29.5	1506	32.1	1544	34.5	1615	39.2	1684	44.0	1746	48.6	1804	53.0	1859	57.5
27810	3000	1437	27.5	1474	29.9	1513	32.4	1552	35.0	1590	37.8	1662	43.0	1728	48.0	1792	53.2	1853	58.2	1907	62.9
29664	3200	1493	30.5	1529	33.1	1564	35.7	1600	38.3	1636	41.0	1708	46.8	1775	52.3	1836	57.7	1898	63.3	1956	68.6
31518	3400	1550	33.9	1585	36.5	1619	39.3	1652	42.1	1686	44.8	1754	50.6	1821	56.8	1884	62.6	1942	68.3	2000	74.2
33372	3600	1610	37.5	1642	40.3	1675	43.1	1707	46.0	1739	49.0	1807	54.8	1867	61.1	1930	67.6	1989	73.8	2044	79.8
35226	3800	1672	41.5	1702	44.4	1733	47.3	1764	50.3	1794	53.3	1855	59.5	1913	65.7	1976	72.4	2036	79.3	2092	85.8
37080	4000	1735	46.0	1764	48.8	1793	51.8	1822	54.9	1851	58.1	1909	64.5	1966	70.9	2023	77.5	2082	84.7	2139	91.9
38934	4200	1800	51.0	1827	53.8	1854	56.7	1882	59.9	1909	63.1	1965	69.8	2020	76.6	2074	83.3	2128	90.3	2184	97.8
40788	4400	1866	56.3	1892	59.3	1917	62.2	1943	65.3	1969	68.6	2022	75.5	2075	82.5	2128	89.7	2179	96.6	2231	104
42642	4600	1931	61.9	1957	65.1	1981	68.2	2006	71.3	2031	74.5	2081	81.5	2132	88.8	2182	96.1	2232	104	2281	111
44496	4800	1995	67.6	2023	71.3	2047	74.7	2070	77.9	2094	81.1	2142	88.1	2190	95.5	2239	103	2287	111	2335	119
46350	5000	2059	73.7	2087	77.6	2113	81.5	2136	84.9	2158	88.2	2203	95.1	2250	103	2298	110	2343	118	2389	126
cfm	OV	12 SP		13 SP		14 SP		15 SP		16 SP		17 SP		18 SP		19 SP		20 SP		22 SP	
		rpm	bhp	rpm	bhp	rpm	bhp	rpm	bhp	rpm	bhp	rpm	bhp	rpm	bhp	rpm	bhp	rpm	bhp	rpm	bhp
25956	2800	1915	62.1	1972	67.0																
27810	3000	1960	67.7	2011	72.5	2063	77.6	2117	82.9												
29664	3200	2008	73.8	2058	78.8	2107	83.9	2155	89.1	2204	94.5	2254	100								
31518	3400	2056	80.0	2107	85.5	2155	90.9	2202	96.3	2247	102	2293	107	2339	113	2425	127	2469	133		
33372	3600	2100	86.0	2153	92.2	2204	98.2	2251	104	2296	110	2340	115	2382	121	2472	136	2512	142	2594	155
35226	3800	2145	92.2	2197	98.7	2245	105	2298	112	2345	118	2388	124	2430	130	2472	136	2512	142		
37080	4000	2193	98.8	2243	106	2292	112	2343	119	2390	126	2436	133	2479	139	2520	146	2561	152	2638	165
38934	4200	2239	105	2291	113	2340	120	2387	127	2434	134	2481	141	2525	149	2569	156	2610	162	2687	176
40788	4400	2285	112	2337	120	2387	128	2434	135	2480	143	2524	150	2570	158	2614	165	2656	173	2736	187
42642	4600	2331	119	2389	127	2433	135	2481	143	2527	151	2571	159	2614	167	2657	175	2701	183	2782	198
44496	4800	2382	126	2430	134	2479	143	2527	152	2574	160	2619	168	2662	177	2703	185	2744	193	2827	209
46350	5000	2435	135	2480	143	2526	151	2573	160	2619	169	2665	178	2709	187	2751	195	2792	204	2870	220
48204	5200	2489	143	2533	152	257															

Wheel 33" Dia.
8.64' Circ.

Outlet 46 1/2 x 35 1/2
11.27 Sq. Ft.

Inlet 39 1/4" Dia.
16.58 Sq. Ft.

Max bhp = 14.7 rpm
1000³

CLASS MAX. RPM

- I 1274
- II 1620
- III 2028
- IV 2315
- V 2605
- VI 2895



cfm	ov	1/4 SP		1/2 SP		3/4 SP		1 SP		1-1/4 SP		1-1/2 SP		2 SP		2-1/2 SP		3 SP		3-1/2 SP	
		rpm	bhp	rpm	bhp	rpm	bhp	rpm	bhp	rpm	bhp	rpm	bhp	rpm	bhp	rpm	bhp	rpm	bhp	rpm	bhp
10143	900	366	.71	424	1.16	477	1.63	522	2.08	561	2.53	617	3.38								
11270	1000	394	.87	447	1.35	498	1.88	543	2.40	582	2.89	639	3.82								
12397	1100	424	1.07	472	1.57	519	2.13	564	2.71	604	3.28			703	4.93						
13524	1200	453	1.28	498	1.81	541	2.40	585	3.04	624	3.66	660	4.29	722	5.45						
14651	1300	482	1.52	525	2.09	566	2.72	606	3.37	645	4.08	680	4.74	744	6.06	799	7.33				
15778	1400	512	1.75	554	2.42	591	3.07	628	3.75	666	4.49	702	5.24	765	6.69	820	8.06	870	9.44		
16905	1500	542	2.10	582	2.80	618	3.45	653	4.18	688	4.92	723	5.74	785	7.29	842	8.84	891	10.3	938	11.8
18032	1600	573	2.44	613	3.21	645	3.88	678	4.64	711	5.43	744	6.24	807	7.95	863	9.62	913	11.2	958	12.8
19159	1700	603	2.83	642	3.64	674	4.37	705	5.15	736	5.97	766	6.80	828	8.63	883	10.44	934	12.2	980	13.8
20286	1800	635	3.26	671	4.12	703	4.92	732	5.70	761	6.55	791	7.44	849	9.28	904	11.2	955	13.1	1002	14.9
21413	1900	666	3.74	700	4.63	733	5.53	760	6.31	788	7.19	816	8.10	870	9.99	925	12.1	975	14.0	1022	16.0
22540	2000	698	4.27	730	5.19	763	6.16	789	7.00	815	7.87	841	8.83	894	10.8	946	12.9	997	15.0	1042	17.1
24794	2200	762	5.49	790	6.46	821	7.53	848	8.56	871	9.46	895	10.4	943	12.5	990	14.7	1038	17.0	1085	19.4
27048	2400	827	6.95	852	7.97	879	9.11	907	10.3	930	11.3	952	12.3	995	14.5	1040	16.8	1083	19.2	1127	21.7
29302	2600	892	8.66	915	9.73	939	10.9	965	12.2	990	13.4	1011	14.6	1050	16.8	1091	19.2	1132	21.7	1171	24.3
31556	2800	957	10.6	978	11.8	1001	13.0	1024	14.4	1048	15.7	1070	17.1	1107	19.4	1145	21.9	1183	24.5	1220	27.3
33810	3000	1022	12.9	1042	14.1	1062	15.4	1084	16.8	1106	18.3	1128	19.7	1166	22.4	1200	24.9	1235	27.6	1271	30.5
36064	3200	1088	15.5	1106	16.8	1125	18.1	1145	19.5	1166	21.1	1186	22.6	1226	25.7	1258	28.3	1291	31.1	1324	34.1
38318	3400	1154	18.5	1171	19.7	1189	21.1	1207	22.6	1226	24.2	1245	25.9	1284	29.2	1318	32.2	1347	35.0	1379	38.0
40572	3600	1220	21.8	1236	23.1	1252	24.5	1269	26.1	1287	27.7	1305	29.4	1342	32.9	1377	36.4	1406	39.4	1435	42.4
42826	3800	1286	25.5	1301	26.8	1316	28.3	1333	29.9	1349	31.6	1366	33.4	1401	37.1	1435	40.7	1466	44.2	1493	47.3
cfm	ov	4 SP		4-1/2 SP		5 SP		5-1/2 SP		6 SP		7 SP		8 SP		9 SP		10 SP		11 SP	
		rpm	bhp	rpm	bhp	rpm	bhp	rpm	bhp	rpm	bhp	rpm	bhp	rpm	bhp	rpm	bhp	rpm	bhp	rpm	bhp
20286	1800	1049	16.7	1083	18.4	1122	20.2														
21413	1900	1066	17.9	1105	19.8	1142	21.6	1179	23.5												
22540	2000	1086	19.2	1127	21.2	1164	23.1	1199	25.0	1235	27.0										
24794	2200	1127	21.7	1168	23.9	1207	26.2	1243	28.4	1277	30.5	1341	34.8	1407	39.4						
27048	2400	1170	24.3	1210	26.8	1247	29.3	1285	31.8	1321	34.3	1385	39.0	1444	43.6	1503	48.5				
29302	2600	1212	27.0	1252	29.8	1290	32.6	1326	35.3	1361	37.9	1428	43.4	1488	48.5	1543	53.5	1597	58.6	1653	64.1
31556	2800	1257	30.0	1294	32.9	1332	35.9	1369	39.0	1403	41.9	1468	47.6	1531	53.5	1587	59.1	1640	64.5	1690	69.9
33810	3000	1306	35.4	1340	36.4	1375	39.4	1411	42.6	1445	45.9	1511	52.2	1571	58.4	1630	64.7	1684	70.7	1734	76.5
36064	3200	1357	37.1	1390	40.3	1422	43.4	1454	46.8	1487	49.9	1553	56.9	1613	63.6	1669	70.1	1726	76.9	1778	83.5
38318	3400	1409	41.2	1441	44.4	1472	47.7	1502	51.1	1532	54.4	1595	61.5	1656	69.0	1712	76.1	1765	83.0	1819	90.2
40572	3600	1464	45.6	1493	49.0	1523	52.4	1552	55.9	1581	59.5	1638	66.0	1697	74.3	1755	82.2	1809	89.7	1859	97.0
42826	3800	1520	50.5	1548	53.9	1575	57.5	1603	61.1	1631	64.8	1686	72.3	1741	79.9	1796	88.0	1851	96.4	1902	104
45080	4000	1577	56.0	1603	59.3	1630	63.0	1656	66.8	1683	70.6	1735	78.4	1787	86.2	1839	94.3	1892	103	1944	112
47334	4200	1637	62.0	1661	65.4	1686	69.0	1711	72.8	1736	76.8	1786	84.8	1836	93.1	1885	101	1935	110	1986	119
49588	4400	1697	68.5	1720	72.0	1743	75.7	1767	79.4	1790	83.4	1839	91.8	1887	100	1934	109	1981	117	2028	126
51842	4600	1756	75.2	1779	79.2	1801	82.9	1823	86.7	1846	90.6	1892	99.1	1938	108	1984	117	2029	126	2074	135
54096	4800	1813	82.1	1839	86.7	1861	90.8	1882	94.7	1903	98.6	1947	107	1991	116	2035	125	2079	135	2122	144
56350	5000	1871	89.6	1897	94.4	1921	99.1	1942	103	1962	107	2003	116	2045	125	2088	134	2130	144	2172	154
cfm	ov	12 SP		13 SP		14 SP		15 SP		16 SP		17 SP		18 SP		19 SP		20 SP		22 SP	
		rpm	bhp	rpm	bhp	rpm	bhp	rpm	bhp	rpm	bhp	rpm	bhp	rpm	bhp	rpm	bhp	rpm	bhp	rpm	bhp
31556	2800	1741	75.5	1793	81.5																
33810	3000	1782	82.3	1828	88.1	1876	94.3	1924	101												
36064	3200	1826	89.7	1871	95.8	1915	102	1959	108	2004	115	2050	122								
38318	3400	1869	97.2	1916	104	1959	111	2002	117	2045	124	2084	130	2126	137						
40572	3600	1909	105	1957	112	2004	119	2046	126	2087	133	2127	140	2166	147	2205	154	2244	162		
42826	3800	1950	112	1997	120	2045	128	2089	136	2131	143	2171	151	2210	158	2247	165	2284	173	2358	188
45080	4000	1993	120	2039	128	2084	136	2130	145	2173	153	2215	161	2254	169	2291	177	2328	185	2399	200
47334	4200	2035	128	2082	137	2127	146	2170	154	2213	163	2256	172	2296	181	2335	189	2372	197	2442	213
49588	4400	2077	136	2124	146	2170	155	2213	164	2254	173	2295	182	2336	192	2376	201	2415	210	2487	227
51842	4600	2119	144	2166	154	2211	164	2255	174	2297	184	2338	193	2376	203	2416	212	2455	222	2530	241
54096	4800	2165	153	2209	163	2253	174	2297	184	2340	195	2381	205	2420	215	2458	225	2494	234	2570	255
56350	5000	2213	164	2254	173	2296	183	2339	194	2381	205	2423	216	2462	227	2501	237	2538	248	2609	268
58604																					



TYPE

A

CLASS

MAX. RPM

Wheel

36 1/2" Dia.
9.56' Circ.

Outlet

51 x 39 3/8"
13.79 Sq. Ft.

Inlet

42 3/4" Dia.
19.70 Sq. Ft.

365
DWDI

- I
- II
- III
- IV
- V
- VI

- 1153
- 1462
- 1833
- 2097
- 2354
- 2615

Max bhp = 25.3 ^{rpm} / 1000

cfm	ov	1/4 SP		1/2 SP		3/4 SP		1 SP		1-1/4 SP		1-1/2 SP		2 SP		2-1/2 SP		3 SP		3-1/2 SP	
		rpm	bhp	rpm	bhp	rpm	bhp	rpm	bhp	rpm	bhp	rpm	bhp	rpm	bhp	rpm	bhp	rpm	bhp	rpm	bhp
12411	900	322	.79	369	1.26	414	1.77	457	2.32	497	2.93	546	3.89								
13790	1000	346	.96	390	1.48	432	2.03	472	2.60	510	3.22	546	3.89								
15169	1100	372	1.16	414	1.74	451	2.32	488	2.94	524	3.57	559	4.25	626	5.76						
16548	1200	398	1.39	437	2.01	473	2.64	507	3.29	541	3.97	574	4.67	636	6.20						
17927	1300	425	1.66	462	2.32	496	3.01	527	3.69	559	4.41	590	5.15	650	6.70	706	8.43				
19306	1400	452	1.97	486	2.67	519	3.40	549	4.13	578	4.89	608	5.66	665	7.28	719	9.02	771	10.9		
20685	1500	479	2.31	512	3.05	543	3.83	572	4.62	599	5.40	627	6.23	681	7.92	733	9.68	783	11.6	832	13.7
22064	1600	505	2.68	537	3.48	567	4.31	595	5.15	622	6.18	647	7.02	699	8.60	749	10.4	797	12.4	843	14.5
23443	1700	532	3.10	564	3.95	592	4.82	619	5.71	645	6.61	669	7.49	718	9.34	765	11.7	812	13.2	856	15.3
24822	1800	560	3.57	590	4.49	617	5.38	643	6.32	668	7.27	692	8.22	737	10.1	783	12.1	828	14.2	871	16.3
26201	1900	587	4.08	617	5.06	643	5.99	668	6.98	692	7.98	715	8.98	759	11.0	802	13.0	845	15.2	887	17.4
27580	2000	615	4.65	644	5.70	669	6.66	693	7.69	716	8.73	739	9.79	781	11.9	822	14.0	863	16.2	904	18.5
30338	2200	670	5.94	698	7.10	722	8.21	744	9.28	766	10.4	787	11.6	827	13.9	869	16.2	902	18.5	940	21.0
33096	2400	726	7.47	752	8.74	775	9.98	796	11.1	816	12.3	836	13.6	875	16.1	911	18.6	945	21.1	979	23.7
35854	2600	782	9.26	806	10.6	829	12.0	849	13.3	868	14.6	886	15.9	923	18.6	958	21.3	991	24.1	1023	26.7
38612	2800	838	11.3	861	12.8	883	14.3	903	15.7	921	17.1	938	18.5	973	21.3	1005	24.3	1038	27.2	1069	30.2
41370	3000	895	13.7	917	15.3	937	16.9	957	18.5	975	20.0	991	21.4	1023	24.4	1053	27.5	1086	30.7	1115	33.8
44128	3200	952	16.4	972	18.1	992	19.8	1011	21.5	1029	23.2	1044	24.7	1075	27.8	1103	31.1	1135	34.5	1163	37.8
46886	3400	1009	19.4	1028	21.2	1047	23.0	1065	24.8	1082	26.6	1098	28.4	1127	31.6	1155	35.9	1184	38.5	1212	42.1
49644	3600	1066	22.8	1084	24.7	1102	26.7	1119	28.5	1136	30.4	1152	32.4	1181	35.9	1207	39.4	1234	43.0	1261	46.8
52402	3800	1123	26.6	1141	28.6	1158	30.7	1174	32.6	1190	34.6	1206	36.7	1234	40.8	1260	44.2	1285	47.9	1311	51.9
cfm	ov	4 SP		4-1/2 SP		5 SP		5-1/2 SP		6 SP		7 SP		8 SP		9 SP		10 SP		11 SP	
		rpm	bhp	rpm	bhp	rpm	bhp	rpm	bhp	rpm	bhp	rpm	bhp	rpm	bhp	rpm	bhp	rpm	bhp	rpm	bhp
24822	1800	913	18.5	954	20.9	995	23.4														
26201	1900	927	19.6	967	22.0	1006	24.5	1045	27.1												
27580	2000	943	20.8	981	23.2	1019	25.8	1056	28.4	1093	31.1										
30338	2200	977	23.5	1013	26.0	1049	28.6	1083	31.2	1118	34.0	1185	39.9	1252	46.1						
33096	2400	1014	26.4	1048	29.0	1082	31.8	1115	34.6	1147	37.4	1211	43.3	1273	49.6	1333	56.2				
35854	2600	1054	29.5	1086	32.4	1118	35.2	1149	38.2	1180	41.2	1240	47.3	1299	53.6	1357	60.4	1413	67.4	1470	74.8
38612	2800	1098	33.0	1127	36.0	1157	39.1	1186	42.2	1215	45.3	1273	51.7	1329	58.2	1384	65.0	1438	72.1	1491	79.6
41370	3000	1144	37.0	1171	40.1	1198	43.2	1226	46.5	1254	49.9	1308	56.5	1362	63.4	1415	70.3	1466	77.5	1516	85.0
44128	3200	1191	41.2	1217	44.5	1243	47.8	1269	51.3	1294	54.8	1346	61.7	1397	68.8	1448	76.2	1497	83.5	1545	91.1
46886	3400	1238	45.7	1264	49.3	1289	52.8	1314	56.4	1338	59.9	1386	67.1	1433	74.2	1483	82.3	1531	90.1	1578	97.9
49644	3600	1287	50.6	1312	54.3	1337	58.2	1360	61.9	1384	65.7	1429	73.1	1473	80.9	1521	88.9	1566	97.0	1612	105
52402	3800	1336	55.3	1360	59.8	1384	63.8	1407	67.8	1430	71.8	1474	79.7	1517	87.6	1560	95.9	1604	104	1647	113
55160	4000	1386	61.5	1409	65.1	1432	69.3	1455	74.1	1477	78.3	1520	86.7	1562	95.0	1602	103	1644	112	1685	121
57918	4200	1434	67.6	1459	72.0	1482	76.5	1504	80.8	1525	85.2	1567	94.1	1608	103	1647	111	1685	120	1725	130
60676	4400	1487	74.2	1509	78.7	1529	83.3	1553	88.0	1574	92.6	1615	102	1654	111	1693	120	1730	129	1767	139
63434	4600	1539	81.4	1560	86.0	1581	90.8	1602	95.6	1623	100	1663	110	1701	120	1739	129	1775	139	1811	148
66192	4800	1592	89.1	1612	93.9	1632	98.7	1652	104	1672	109	1711	119	1749	129	1786	139	1822	149	1856	159
68950	5000	1645	97.5	1664	102	1684	107	1703	112	1722	118	1761	125	1797	138	1833	149	1869	160	1903	170
cfm	ov	12 SP		13 SP		14 SP		15 SP		16 SP		17 SP		18 SP		19 SP		20 SP		22 SP	
		rpm	bhp	rpm	bhp	rpm	bhp	rpm	bhp	rpm	bhp	rpm	bhp	rpm	bhp	rpm	bhp	rpm	bhp	rpm	bhp
38612	2800	1542	87.3	1596	95.4																
41370	3000	1566	92.9	1615	101	1663	109	1713	118												
44128	3200	1593	99.0	1640	107	1687	116	1732	124	1778	133	1824	143								
46886	3400	1623	106	1668	114	1713	123	1757	131	1801	141	1843	150	1886	159						
49644	3600	1656	114	1699	122	1742	130	1785	139	1826	148	1868	158	1909	167	1949	177	1989	187		
52402	3800	1690	122	1733	130	1774	139	1815	148	1855	157	1895	166	1935	176	1974	186	2013	196	2089	217
55160	4000	1726	130	1767	139	1808	148	1847	157	1886	167	1925	176	1963	186	2001	196	2039	206	2113	227
57918	4200	1765	139	1802	148	1843	158	1881	167	1920	177	1957	187	1994	197	2030	206	2067	217	2139	238
60676	4400	1804	148	1842	158	1879	168	1917	178	1954	188	1990	198	2027	208	2062	218	2097	229	2167	250
63434	4600	1846	158	1882	168	1919	179	1954	189	1990	199	2026	209	2061	220	2096	231	2130	241	2197	263
66192	4800	1891	169	1924	179	1958	189	1993	200	2028	211	2062	221	2096	232	2130	243	2164	254	2230	276
68950	5000	1936	180	1969	191	2001	201	2034	212	2067	223	2101	234	2133	245	2166	256	2199	268		

Wheel 40 1/4" Dia.
10.5' Circ.

Outlet 56 1/4 x 43 3/4
16.78 Sq. Ft.

Inlet 46 3/4" Dia.
23.6 Sq. Ft.

Max bhp = 41.1 ³ $\frac{\text{rpm}}{1000}$

CLASS MAX. RPM

- I 1048
- II 1328
- III 1666
- IV 1905
- V 2141
- VI 2380



TYPE
A

402
DWDI

cfm	OV	1/4 SP		1/2 SP		3/4 SP		1 SP		1-1/4 SP		1-1/2 SP		2 SP		2-1/2 SP		3 SP		3-1/2 SP	
		rpm	bhp	rpm	bhp	rpm	bhp	rpm	bhp	rpm	bhp	rpm	bhp	rpm	bhp	rpm	bhp	rpm	bhp	rpm	bhp
15102	900	292	.96	334	1.54	375	2.16	414	2.82	451	3.56	495	4.74	568	7.01						
16780	1000	314	1.17	354	1.81	391	2.47	428	3.17	462	3.92	507	5.17								
18458	1100	337	1.41	375	2.11	409	2.82	443	3.57	475	4.35	507	5.17								
20136	1200	361	1.69	397	2.45	429	3.21	460	4.01	491	4.84	520	5.68	577	7.55						
21814	1300	385	2.02	419	2.83	449	3.66	478	4.49	507	5.36	535	6.27	589	8.15	641	10.3				
23492	1400	410	2.39	441	3.24	471	4.14	498	5.03	524	5.95	551	6.89	603	8.86	652	11.0	699	13.3		
25170	1500	434	2.81	464	3.71	492	4.66	519	5.63	543	6.57	569	7.59	618	9.64	665	11.8	710	14.1	754	16.6
26848	1600	458	3.26	487	4.23	514	5.24	540	6.27	564	7.28	587	8.30	634	10.5	679	12.7	722	15.1	765	17.6
28526	1700	483	3.77	511	4.81	537	5.86	561	6.95	585	8.04	607	9.11	651	11.4	694	13.7	736	16.1	777	18.7
30204	1800	507	4.34	535	5.46	560	6.55	583	7.69	606	8.85	627	10.0	669	12.3	710	14.7	751	17.3	790	19.8
31882	1900	532	4.97	560	6.16	583	7.29	606	8.50	628	9.71	648	10.9	688	13.3	727	15.9	766	18.5	804	21.1
33560	2000	557	5.66	584	6.93	606	8.11	628	9.38	649	10.6	670	11.9	708	14.4	745	17.1	783	19.7	820	22.5
36916	2200	608	7.23	633	8.64	654	9.99	674	11.3	694	12.7	714	14.1	750	16.9	784	19.7	818	22.5	852	25.5
40272	2400	658	9.09	682	10.6	703	12.1	722	13.6	740	15.0	758	16.5	793	19.6	826	22.7	857	25.7	888	28.8
43628	2600	709	11.3	731	12.9	752	14.6	770	16.2	787	17.7	804	19.3	837	22.6	869	25.9	899	29.3	927	32.5
46984	2800	760	13.8	781	15.6	801	17.4	819	19.2	835	20.8	851	22.5	882	25.9	912	29.5	941	33.1	969	36.7
50340	3000	812	16.7	831	18.6	850	20.5	868	22.5	884	24.3	899	26.0	928	29.7	957	33.5	985	37.3	1012	41.2
53696	3200	863	19.9	882	22.0	899	24.1	917	26.1	933	28.2	947	30.1	974	33.8	1002	37.8	1029	41.9	1055	46.0
57052	3400	915	23.6	932	25.8	949	28.0	966	30.2	981	32.4	996	34.5	1022	38.5	1048	42.6	1074	46.9	1099	51.3
60408	3600	966	27.8	983	30.1	999	32.4	1015	34.7	1030	37.0	1045	39.4	1071	43.7	1095	47.9	1118	52.4	1143	56.9
63764	3800	1018	32.4	1034	34.9	1050	37.3	1065	39.7	1079	42.2	1093	44.6	1117	49.3	1142	53.8	1165	58.3	1189	63.1
cfm	OV	4 SP		4-1/2 SP		5 SP		5-1/2 SP		6 SP		7 SP		8 SP		9 SP		10 SP		11 SP	
		rpm	bhp	rpm	bhp	rpm	bhp	rpm	bhp	rpm	bhp	rpm	bhp	rpm	bhp	rpm	bhp	rpm	bhp	rpm	bhp
30204	1800	828	22.6	866	25.5	902	28.5														
31882	1900	841	23.9	877	26.6	913	29.9	947	33.0												
33560	2000	854	25.4	890	28.3	924	31.3	958	34.6	991	37.9										
36916	2200	896	28.6	919	31.6	951	34.8	983	38.0	1014	41.4	1075	48.5	1135	56.1						
40272	2400	919	32.1	950	35.3	981	38.7	1011	42.0	1040	45.5	1098	52.7	1154	60.4	1209	68.4				
43628	2600	956	35.9	985	39.5	1013	42.9	1042	46.5	1070	50.1	1125	57.5	1178	65.2	1230	73.4	1281	82.0	1333	91.0
46984	2800	996	40.2	1022	43.8	1049	47.6	1076	51.3	1102	55.1	1155	62.9	1205	70.9	1255	79.1	1304	87.8	1352	96.9
50340	3000	1037	45.0	1062	48.7	1087	52.6	1112	56.5	1137	60.7	1186	68.7	1235	77.1	1283	85.6	1329	94.3	1375	103
53696	3200	1080	50.1	1104	54.2	1127	58.2	1150	62.2	1174	66.4	1221	75.1	1267	83.8	1313	92.7	1358	102	1401	111
57052	3400	1123	55.6	1147	60.0	1169	64.3	1192	68.8	1213	72.9	1257	81.7	1301	90.9	1345	100	1388	110	1431	119
60408	3600	1167	61.5	1190	66.1	1212	70.48	1234	75.4	1255	80.0	1296	89.0	1337	98.5	1379	108	1420	118	1461	128
63764	3800	1211	68.0	1234	72.8	1255	77.6	1276	82.5	1297	87.4	1337	97.0	1376	107	1415	117	1455	127	1494	137
67120	4000	1257	74.8	1278	80.0	1299	85.0	1320	90.2	1340	95.3	1379	106	1416	116	1453	126	1491	136	1528	147
70476	4200	1302	82.3	1323	87.6	1344	93.0	1363	98.3	1383	104	1421	115	1458	125	1493	136	1528	146	1564	158
73832	4400	1349	90.3	1369	95.9	1388	101	1408	107	1427	113	1464	124	1500	135	1535	146	1569	157	1602	169
77188	4600	1396	99.0	1415	105	1434	110	1453	116	1472	122	1508	134	1543	146	1577	157	1610	169	1642	181
80544	4800	1443	108	1462	114	1480	120	1498	126	1516	132	1552	145	1586	157	1620	169	1652	181	1683	193
83900	5000	1492	119	1509	124	1527	131	1544	137	1562	143	1597	156	1630	168	1663	181	1695	194	1725	207
cfm	OV	12 SP		13 SP		14 SP		15 SP		16 SP		17 SP		18 SP		19 SP		20 SP		22 SP	
		rpm	bhp	rpm	bhp	rpm	bhp	rpm	bhp	rpm	bhp	rpm	bhp	rpm	bhp	rpm	bhp	rpm	bhp	rpm	bhp
46984	2800	1398	106	1447	116	1508	133	1554	144												
50340	3000	1420	113	1465	123	1520	141	1571	151	1612	162	1654	173								
53696	3200	1445	120	1487	130	1530	141	1571	151												
57052	3400	1472	129	1513	139	1553	149	1593	160	1633	171	1672	182	1710	194						
60408	3600	1502	138	1541	148	1579	159	1618	169	1656	181	1694	192	1731	204	1768	216	1804	228		
63764	3800	1533	148	1571	158	1609	169	1646	180	1682	191	1719	203	1754	214	1790	226	1825	239	1894	264
67120	4000	1565	158	1603	169	1639	180	1673	192	1711	203	1745	214	1780	226	1815	238	1849	251	1916	277
70476	4200	1609	169	1635	180	1671	192	1706	204	1741	215	1775	227	1808	239	1841	251	1874	264	1938	290
73832	4400	1636	180	1671	193	1704	204	1738	216	1772	228	1809	241	1838	253	1870	265	1902	278	1965	304
77188	4600	1674	192	1707	205	1740	217	1772	229	1804	242	1837	255	1869	266	1900	281	1932	293	1993	320
80544	4800	1714	206	1745	218	1776	231	1808	244	1839	257	1870	269	1901	283	1932	296	1962	309	2022	336
83900	5000	1755	219	1785	232	1815	245	1844	258	1875	272	1905	285	1934	298	1964	312	1994	326	2053	354
87256	5200	1797	234	1826	247	1855	260	1883	273	1912	287	1941	301	1970	316	1998	329	2027	343	2084	372
90612	5400	1840																			



TYPE
A

CLASS **MAX. RPM**

- I** **949**
- II** **1200**
- III** **1504**
- IV** **1720**
- V** **1931**
- VI** **2140**

Wheel **44½" Dia.**
 11.7' Circ.

Outlet **62½ x 48¾**
 20.49 Sq. Ft.

Inlet **51½" Dia.**
 28.2 Sq. Ft.

Max bhp = 68.3 rpm
1000³

445
DWDI

cfm	ov	1/4 SP		1/2 SP		3/4 SP		1 SP		1-1/4 SP		1-1/2 SP		2 SP		2-1/2 SP		3 SP		3-1/2 SP	
		rpm	bhp	rpm	bhp	rpm	bhp	rpm	bhp	rpm	bhp	rpm	bhp	rpm	bhp	rpm	bhp	rpm	bhp	rpm	bhp
18441	900	264	1.17	302	1.88	340	2.64	375	3.44	408	4.35	448	5.78	513	8.56						
20490	1000	284	1.43	320	2.20	354	3.01	387	3.87	418	4.78	458	6.31	513	8.56						
22539	1100	305	1.72	339	2.58	370	3.44	401	4.36	430	5.31	458	6.31	513	8.56						
24588	1200	326	2.07	359	2.99	388	3.92	416	4.89	444	5.90	470	6.94	522	9.22						
26637	1300	348	2.47	379	3.45	406	4.47	432	5.48	458	6.55	484	7.65	533	9.96	579	12.5				
28686	1400	370	2.92	399	3.96	426	5.06	450	6.14	474	7.26	498	8.41	545	10.8	590	13.4	632	16.2		
30735	1500	393	3.43	420	4.53	445	5.70	469	6.87	491	8.02	514	9.26	559	11.8	601	14.4	642	17.2	682	20.3
32784	1600	415	3.99	441	5.17	465	6.40	488	7.65	510	8.88	531	10.1	573	12.8	614	15.5	653	18.4	692	21.5
34833	1700	437	4.61	462	5.88	486	7.16	508	8.49	529	9.82	549	11.1	589	13.9	628	16.7	666	19.7	702	22.8
36882	1800	459	5.30	484	6.67	506	7.99	528	9.39	548	10.8	567	12.2	605	15.0	642	18.0	679	21.1	714	24.2
38931	1900	481	6.06	506	7.53	527	8.90	548	10.4	568	11.9	587	13.3	622	16.3	658	19.4	693	22.6	728	25.8
40980	2000	504	6.91	528	8.47	548	9.90	568	11.4	587	13.0	606	14.5	640	17.6	674	20.8	708	24.1	741	27.5
45078	2200	550	8.83	572	10.6	592	12.2	610	13.8	628	15.5	645	17.2	678	20.6	709	24.0	740	27.5	771	31.1
49176	2400	595	11.1	617	13.0	636	14.8	653	16.6	669	18.3	686	20.2	717	23.9	747	27.7	775	31.4	803	35.2
53274	2600	641	13.8	661	15.8	680	17.8	697	19.8	712	21.6	727	23.6	757	27.6	786	31.7	813	35.7	839	39.7
57372	2800	688	16.8	706	19.0	724	21.2	741	23.4	755	25.4	769	27.4	798	31.7	825	36.0	851	40.4	876	44.8
61470	3000	734	20.4	752	22.7	769	25.1	785	27.4	799	29.7	813	31.8	839	36.2	865	40.9	891	45.6	915	50.3
65568	3200	781	24.4	797	26.9	814	29.4	829	31.9	844	34.4	857	36.7	881	41.3	906	46.2	931	51.2	954	56.2
69666	3400	827	28.9	843	31.6	859	34.2	873	36.9	888	39.6	901	42.1	925	47.0	948	52.0	971	57.3	994	62.6
73764	3600	874	33.9	889	36.8	904	39.6	918	42.4	932	45.2	945	48.1	968	53.3	990	58.5	1012	63.9	1034	69.5
77862	3800	921	39.5	935	42.6	949	45.5	963	48.5	976	51.5	989	54.5	1012	60.2	1033	65.6	1054	71.2	1075	77.1
cfm	ov	4 SP		4-1/2 SP		5 SP		5-1/2 SP		6 SP		7 SP		8 SP		9 SP		10 SP		11 SP	
		rpm	bhp	rpm	bhp	rpm	bhp	rpm	bhp	rpm	bhp	rpm	bhp	rpm	bhp	rpm	bhp	rpm	bhp	rpm	bhp
36882	1800	749	27.6	783	31.1	816	34.8	826	36.5	857	40.3										
38931	1900	761	29.2	793	32.7	826	36.5														
40980	2000	776	31.0	805	34.5	836	38.3	867	42.2	896	46.3										
45078	2200	801	34.9	831	38.6	860	42.4	889	46.4	917	50.5	972	59.2	1027	68.5						
49176	2400	832	39.2	860	43.1	887	47.2	915	51.3	941	55.5	993	64.3	1044	73.7	1094	83.6				
53274	2600	864	43.8	891	48.2	917	52.4	943	56.6	968	61.2	1017	70.2	1066	79.6	1113	89.7	1159	100	1205	111
57372	2800	901	49.1	924	53.5	949	58.1	973	62.7	997	67.3	1044	76.9	1090	86.5	1135	96.6	1179	107	1223	118
61470	3000	938	55.0	961	59.5	983	64.2	1005	69.0	1028	74.1	1073	83.9	1117	94.2	1160	104	1202	115	1244	126
65568	3200	977	61.2	999	66.2	1020	71.1	1041	76.0	1061	81.1	1104	91.7	1146	102	1188	113	1228	124	1268	135
69666	3400	1016	67.9	1037	73.2	1058	78.5	1078	83.8	1098	89.0	1137	99.8	1177	111	1217	122	1256	134	1294	146
73764	3600	1055	75.1	1076	80.8	1096	86.4	1116	92.0	1135	97.7	1172	109	1210	120	1247	132	1285	144	1322	156
77862	3800	1096	83.0	1116	88.9	1135	94.8	1154	101	1173	107	1209	118	1244	130	1280	143	1316	155	1351	168
81960	4000	1136	91.4	1156	97.7	1175	104	1194	110	1212	116	1247	129	1281	141	1314	154	1348	167	1382	180
86058	4200	1178	100	1197	107	1215	114	1233	120	1251	127	1286	140	1319	153	1351	166	1382	179	1415	192
90156	4400	1220	110	1238	117	1256	124	1274	131	1291	138	1324	151	1357	165	1398	179	1419	192	1449	206
94254	4600	1262	121	1280	128	1297	135	1314	142	1331	149	1364	163	1396	178	1426	192	1456	207	1485	221
98352	4800	1306	132	1322	139	1339	147	1355	154	1372	161	1404	176	1435	191	1465	207	1494	221	1523	236
102450	5000	1349	145	1365	152	1381	159	1397	167	1413	175	1444	190	1474	206	1504	221	1533	237	1561	253
cfm	ov	12 SP		13 SP		14 SP		15 SP		16 SP		17 SP		18 SP		19 SP		20 SP		22 SP	
		rpm	bhp	rpm	bhp	rpm	bhp	rpm	bhp	rpm	bhp	rpm	bhp	rpm	bhp	rpm	bhp	rpm	bhp	rpm	bhp
57372	2800	1265	130	1309	142																
61470	3000	1285	138	1325	150	1364	162	1405	175												
65568	3200	1307	147	1345	159	1383	172	1421	185	1458	198	1496	212								
69666	3400	1331	157	1368	170	1405	182	1441	195	1477	209	1512	223	1547	237	1599	263	1632	278		
73764	3600	1358	169	1394	181	1429	194	1464	207	1498	220	1532	234	1566	249	1619	277	1651	292	1713	323
77862	3800	1386	181	1421	194	1455	207	1488	220	1521	233	1554	247	1587	262	1619	277	1651	292	1713	323
81960	4000	1416	193	1450	207	1483	220	1515	234	1547	248	1579	262	1610	276	1641	291	1672	306	1733	338
86058	4200	1447	206	1479	220	1511	234	1543	249	1574	263	1605	277	1635	292	1665	307	1695	322	1754	354
90156	4400	1480	220	1511	235	1541	249	1572	264	1603	279	1633	294	1663	309	1691	324	1720	340	1777	371
94254	4600	1514	235	1544	250	1574	265	1603	280	1632	295	1661	311	1690	327	1719	343	1747	358	1802	390
98352	4800	1551	251	1578	266	1606	281	1635	298	1663	313	1691	329	1719	345	1747	362	1775	378	1829	411
102450	5000	1588	268	1615	283	1641	299	1668	315	1696	332	1723	348	1750	364	1776	381	1804	398	1857	432
106548	5200	1626	286	1652	302	1678	318	1703	334	1729	351										

Wheel 49" Dia.
12.8' Circ.

Outlet 68 1/2 x 53 1/8
24.85 Sq. Ft.

Inlet 55 1/4" Dia.
33.6 Sq. Ft.

CLASS

MAX. RPM

I 861

II 1092

III 1368

IV 1562

V 1757

VI 1950



490
DWDI

Max bhp = 110 ³ rpm/1000

cfm	ov	1/4 SP		1/2 SP		3/4 SP		1 SP		1-1/4 SP		1-1/2 SP		2 SP		2-1/2 SP		3 SP		3-1/2 SP	
		rpm	bhp	rpm	bhp	rpm	bhp	rpm	bhp	rpm	bhp	rpm	bhp	rpm	bhp	rpm	bhp	rpm	bhp	rpm	bhp
22365	900	240	1.42	275	2.28	308	3.20	340	4.18	370	5.27	407	7.01								
24850	1000	258	1.73	291	2.67	321	3.66	351	4.69	380	5.80	416	7.94								
27335	1100	277	2.09	308	3.13	336	4.17	364	5.29	391	6.44	416	7.66	466	10.4						
29820	1200	296	2.51	326	3.63	352	4.76	378	5.94	403	7.16	427	8.42	474	11.2						
32305	1300	316	3.00	344	4.19	369	5.42	393	6.64	416	7.94	440	9.28	484	12.1	526	15.2				
34790	1400	336	3.55	362	4.80	387	6.13	409	7.44	431	8.80	453	10.2	495	13.1	535	16.2	574	19.7		
37275	1500	356	4.16	381	5.49	404	6.91	426	8.33	446	9.73	467	11.2	507	14.3	546	17.5	583	20.9	620	24.6
39760	1600	376	4.83	400	6.26	423	7.76	444	9.28	463	10.8	482	12.3	520	15.5	558	18.8	593	22.3	628	26.1
42245	1700	397	5.59	420	7.13	441	8.68	461	10.3	480	11.9	498	13.5	534	16.8	570	20.3	605	23.9	638	27.6
44730	1800	417	6.43	440	8.09	460	9.69	479	11.4	498	13.1	515	14.8	549	18.2	583	21.8	617	25.6	649	29.4
47215	1900	437	7.35	460	9.13	479	10.8	498	12.6	516	14.4	533	16.2	565	19.7	597	23.5	630	27.4	661	31.3
49700	2000	458	8.38	480	10.3	498	12.0	516	13.9	534	15.7	550	17.6	582	21.4	612	25.3	643	29.2	673	33.4
54670	2200	499	10.7	520	12.8	538	14.8	554	16.7	570	18.8	586	20.8	616	25.0	644	29.1	672	33.4	700	37.8
59640	2400	541	13.5	560	15.7	578	18.0	593	20.1	608	22.2	623	24.5	652	29.0	678	33.6	704	38.1	729	42.7
64610	2600	582	16.7	601	19.2	618	21.6	633	24.0	646	26.2	660	28.6	688	33.5	714	38.4	738	43.4	762	48.2
69580	2800	625	20.4	642	23.1	658	25.7	673	28.4	686	30.8	699	33.3	724	38.4	749	43.7	773	49.0	796	54.4
74550	3000	667	24.7	683	27.6	698	30.4	713	33.3	726	36.0	738	38.6	762	43.9	786	49.6	809	55.3	821	61.0
79520	3200	709	29.5	724	32.6	739	35.6	753	38.7	766	41.7	778	44.5	800	50.1	823	56.0	845	62.1	866	68.1
84490	3400	751	35.0	766	38.3	780	41.5	793	44.7	806	48.0	818	51.1	840	57.0	861	63.1	882	69.5	902	75.9
89460	3600	794	41.1	808	44.6	821	48.0	834	51.4	846	54.9	858	58.3	879	64.7	899	70.9	919	77.5	939	84.3
94430	3800	836	48.0	850	51.6	862	55.2	875	58.8	887	62.4	898	66.1	919	73.0	938	75.6	957	86.4	976	93.5
cfm	ov	4 SP		4-1/2 SP		5 SP		5-1/2 SP		6 SP		7 SP		8 SP		9 SP		10 SP		11 SP	
		rpm	bhp	rpm	bhp	rpm	bhp	rpm	bhp	rpm	bhp	rpm	bhp	rpm	bhp	rpm	bhp	rpm	bhp	rpm	bhp
44730	1800	680	33.4	711	37.7	741	42.2														
47215	1900	691	35.4	721	39.7	750	44.2	778	48.9												
49700	2000	703	37.5	731	41.9	759	46.4	787	51.2	814	56.1										
54670	2200	728	42.3	755	46.9	781	51.5	807	56.3	833	61.3	883	71.8	933	83.1						
59640	2400	755	47.5	781	52.3	806	57.3	831	62.3	855	67.3	902	78.0	948	89.6	993	101				
64610	2600	785	53.2	809	58.4	832	63.5	856	68.9	879	74.3	924	85.2	968	96.6	1011	109	1052	121	1095	135
69580	2800	818	59.5	839	64.8	862	70.4	884	76.0	905	81.6	948	93.2	990	105	1031	117	1071	120	1110	143
74550	3000	852	66.7	873	72.2	893	77.8	913	83.7	934	89.9	975	102	1015	114	1054	127	1092	140	1130	153
79520	3200	887	74.2	907	80.3	926	86.2	945	92.2	964	98.3	1003	111	1041	124	1079	137	1115	151	1151	164
84490	3400	922	82.3	942	88.8	960	95.2	979	102	997	108	1032	121	1069	135	1105	148	1140	162	1175	176
89460	3600	958	91.1	977	97.9	996	105	1013	112	1031	118	1064	132	1098	146	1133	160	1167	175	1200	190
94430	3800	995	101	1013	108	1031	115	1048	122	1065	128	1098	144	1130	158	1162	173	1195	188	1227	203
99400	4000	1032	111	1050	118	1067	126	1084	134	1100	141	1133	156	1163	171	1194	186	1224	202	1255	218
104370	4200	1070	122	1087	130	1104	138	1120	146	1136	154	1168	170	1198	186	1227	201	1255	217	1285	233
109340	4400	1108	134	1124	142	1140	150	1157	159	1172	167	1203	183	1232	200	1261	217	1289	233	1316	250
114310	4600	1147	147	1162	155	1178	164	1193	172	1209	181	1239	198	1267	216	1295	233	1322	250	1349	268
119280	4800	1186	161	1201	169	1216	178	1231	187	1246	196	1275	214	1303	232	1331	251	1357	269	1383	287
124250	5000	1225	176	1240	184	1254	193	1268	202	1283	212	1311	231	1339	249	1366	268	1392	288	1417	306
cfm	ov	12 SP		13 SP		14 SP		15 SP		16 SP		17 SP		18 SP		19 SP		20 SP		22 SP	
		rpm	bhp	rpm	bhp	rpm	bhp	rpm	bhp	rpm	bhp	rpm	bhp	rpm	bhp	rpm	bhp	rpm	bhp	rpm	bhp
69580	2800	1149	157	1189	172																
74550	3000	1167	167	1203	182	1239	197	1276	213												
79520	3200	1187	178	1222	193	1256	208	1290	224	1324	240	1359	257								
84490	3400	1209	191	1243	206	1276	221	1309	237	1341	253	1373	270	1405	287						
89460	3600	1234	205	1266	220	1297	235	1329	251	1360	267	1391	284	1422	302	1452	319	1482	337		
94430	3800	1259	219	1291	235	1321	250	1352	267	1382	283	1412	300	1441	317	1470	335	1499	354	1556	391
99400	4000	1286	234	1316	251	1346	267	1376	284	1405	300	1434	317	1462	335	1491	353	1519	371	1574	410
104370	4200	1314	250	1343	267	1373	284	1401	302	1430	319	1458	336	1485	354	1512	372	1540	391	1593	429
109340	4400	1344	267	1372	285	1400	302	1428	320	1455	339	1483	357	1510	375	1536	393	1562	412	1614	450
114310	4600	1375	285	1402	303	1429	322	1456	340	1482	358	1509	377	1535	396	1561	415	1587	435	1637	473
119280	4800	1408	304	1433	323	1459	341	1485	361	1510	380	1536	399	1561	419	1587	439	1612	458	1681	498
124250	5000	1442	325	1466	344	1491	363	1515	382	1540	402	1565	422	1589	442	1613	462	1636	483	1686	524
129220	5200	1476	347	1500	366	1524	385	1547	405	1570	425	1594	446	1618	467	1642	488	1665	508	1712	551
134190	5400	1511	369	1535	390	1557	410	1580	430	1602	450	1625	471	1648	492	1671	514	1694	536	1739	578
139160	5600	1546	392	1569	414	1592															



TYPE
A

CLASS **MAX. RPM**

- I** **777**
- II** **986**
- III** **1234**
- IV** **1411**
- V** **1585**
- VI** **1760**

Wheel 54 1/2" Dia.
 14.2' Circ.

Outlet 75 3/4 x 58 7/8
 30.46 Sq. Ft.

Inlet 56 3/4" Dia.
 34.4 Sq. Ft.

Max bhp = 183 rpm
1000³

542
DWDI

cfm	ov	1/4 SP		1/2 SP		3/4 SP		1 SP		1-1/4 SP		1-1/2 SP		2 SP		2-1/2 SP		3 SP		3-1/2 SP	
		rpm	bhp	rpm	bhp	rpm	bhp	rpm	bhp	rpm	bhp	rpm	bhp	rpm	bhp	rpm	bhp	rpm	bhp	rpm	bhp
27414	900	216	1.75	248	2.79	279	3.92	307	5.12	335	6.46	366	8.60								
30460	1000	233	2.12	263	3.28	290	4.48	317	5.75	343	7.11	368	9.39	421	12.7						
33506	1100	250	2.56	278	3.83	303	5.12	329	6.48	353	7.89	376									
36552	1200	268	3.08	294	4.45	318	5.83	341	7.28	364	8.78	386	10.3	428	13.7						
39598	1300	286	3.67	311	5.13	333	6.64	355	8.14	376	9.73	397	11.4	437	14.8	475	18.6				
42644	1400	304	4.35	327	5.89	349	7.51	369	9.12	389	10.8	409	12.5	447	16.1	484	19.9	519	24.1		
45690	1500	322	5.10	344	6.73	365	8.47	385	10.2	403	11.9	422	13.8	458	17.5	493	21.4	527	25.6	560	30.2
48736	1600	340	5.93	361	7.68	382	9.52	401	11.4	418	13.2	435	15.1	470	19.0	504	23.1	536	27.3	567	31.9
51782	1700	358	6.85	379	8.74	398	10.6	417	12.6	434	14.6	450	16.5	483	20.6	515	24.9	546	29.2	576	33.9
54828	1800	377	7.88	397	9.91	415	11.9	433	14.0	450	16.1	465	18.1	496	22.3	527	26.8	557	31.4	586	36.0
57874	1900	395	9.01	415	11.2	432	13.2	449	15.4	466	17.6	481	19.8	510	24.2	540	28.8	569	33.6	597	38.4
60920	2000	413	10.3	433	12.6	450	14.7	466	17.0	482	19.3	497	21.6	525	26.2	553	31.0	581	35.8	608	40.9
67012	2200	451	13.1	469	15.7	486	18.1	500	20.5	515	23.0	529	25.6	557	30.7	582	35.7	607	40.9	632	46.3
73104	2400	488	16.5	506	19.3	522	22.1	535	24.6	549	27.2	563	30.0	588	35.6	613	41.2	636	46.6	659	52.3
79196	2600	526	20.5	542	23.5	558	26.5	571	29.4	584	32.1	596	35.0	621	41.1	644	47.1	667	53.1	688	59.0
85288	2800	564	25.0	579	28.3	594	31.6	608	34.8	620	37.8	631	40.8	654	47.1	677	53.6	698	60.1	719	66.6
91380	3000	602	30.3	617	33.8	631	37.2	644	40.8	656	44.1	667	47.3	688	53.9	710	60.8	731	67.7	750	74.8
97472	3200	640	36.2	654	40.0	667	43.7	680	47.4	692	51.1	703	54.6	723	61.4	743	68.7	763	76.1	782	83.5
103564	3400	679	42.9	692	46.9	704	50.9	716	54.8	728	58.8	739	62.6	758	69.9	777	77.5	797	85.2	815	93.0
109656	3600	717	50.4	729	54.7	741	58.9	753	63.0	764	67.2	775	71.5	784	79.3	811	87.6	830	95.1	848	103
115748	3800	756	58.8	767	63.3	779	67.7	790	72.1	801	76.5	811	81.0	830	89.3	848	97.4	865	106	882	115
cfm	ov	4 SP		4-1/2 SP		5 SP		5-1/2 SP		6 SP		7 SP		8 SP		9 SP		10 SP		11 SP	
		rpm	bhp	rpm	bhp	rpm	bhp	rpm	bhp	rpm	bhp	rpm	bhp	rpm	bhp	rpm	bhp	rpm	bhp	rpm	bhp
54828	1800	614	41.0	642	46.2	669	51.7														
57874	1900	624	43.4	651	48.6	677	54.2	703	60.6												
60920	2000	635	46.0	660	51.3	686	56.9	711	62.8	735	68.8										
67012	2200	657	51.9	682	57.4	706	63.1	729	69.0	752	75.1	797	88.1	842	102						
73104	2400	682	59.2	705	64.1	728	70.2	750	76.3	772	82.5	813	93.6	856	110	897	124				
79196	2600	709	65.2	731	71.6	752	77.8	773	84.3	794	91.0	834	104	874	118	913	133	951	149	989	165
85288	2800	739	73.0	758	79.5	779	86.3	798	93.2	818	100	857	114	894	129	931	144	967	159	1003	176
91380	3000	770	81.7	788	87.5	806	93.6	825	103	844	110	880	125	917	140	952	155	988	171	1020	188
97472	3200	801	91.5	819	98.4	836	106	854	113	871	121	905	136	940	152	974	168	1007	185	1040	201
103564	3400	833	101	851	109	868	117	884	125	900	132	933	148	965	165	998	182	1030	199	1062	216
109656	3600	866	112	883	120	899	128	915	137	931	145	961	161	992	179	1023	196	1054	214	1084	232
115748	3800	899	123	915	132	931	141	947	145	962	159	992	176	1021	194	1050	212	1079	231	1108	249
121840	4000	932	136	948	145	964	154	979	164	994	173	1023	192	1051	210	1078	228	1106	248	1134	267
127932	4200	966	149	982	159	997	165	1012	178	1026	188	1055	208	1082	227	1108	246	1134	266	1161	286
134024	4400	1001	164	1015	174	1030	184	1045	194	1059	204	1086	225	1113	245	1139	268	1164	286	1189	306
140116	4600	1036	180	1050	190	1064	200	1078	211	1092	222	1119	243	1145	264	1170	288	1194	307	1219	328
146208	4800	1071	197	1084	207	1098	218	1112	229	1125	244	1151	262	1177	285	1202	307	1226	329	1249	351
152300	5000	1107	215	1120	226	1133	237	1146	248	1159	260	1185	283	1209	306	1234	329	1257	353	1280	376
cfm	ov	12 SP		13 SP		14 SP		15 SP		16 SP		17 SP		18 SP		19 SP		20 SP		22 SP	
		rpm	bhp	rpm	bhp	rpm	bhp	rpm	bhp	rpm	bhp	rpm	bhp	rpm	bhp	rpm	bhp	rpm	bhp	rpm	bhp
85288	2800	1038	193	1074	211																
91380	3000	1054	205	1087	223	1119	241	1153	261												
97472	3200	1072	219	1104	237	1135	256	1165	277	1194	294	1228	315								
103564	3400	1092	234	1122	252	1152	271	1182	290	1211	310	1240	331	1269	352						
109656	3600	1114	251	1143	269	1172	288	1201	308	1229	328	1257	348	1284	370	1312	391	1339	414	1366	436
115748	3800	1137	269	1166	288	1194	307	1221	327	1248	347	1275	368	1302	389	1328	411	1354	434	1406	480
121840	4000	1161	287	1189	307	1216	327	1243	348	1269	368	1295	389	1321	411	1346	433	1372	455	1422	502
127932	4200	1187	307	1213	327	1240	348	1266	370	1291	391	1317	412	1342	434	1366	456	1391	479	1439	526
134024	4400	1214	327	1240	349	1264	370	1290	392	1315	415	1339	437	1364	460	1387	482	1411	505	1458	552
140116	4600	1242	349	1266	372	1291	395	1318	417	1339	439	1363	463	1386	486	1410	509	1433	533	1478	580
146208	4800	1272	373	1295	395	1318	418	1341	442	1364	466	1387	489	1410	513	1433	538	1456	562	1500	631
152300	5000	1302	398	1325	421	1346	444	1368	468	1391	493	1413	518	1435	542	1457	566	1479	592	1523	642
158392	5200	1334	425	1355	449	1376	472	1397	496	1418	521	1440	547	1462	573	1483	598	1504	623	1546	676
164484	5400	1365	45																		

Wheel 60" Dia.
15.7' Circ.

Outlet 83 3/4 x 65
37.26 Sq. Ft.

Inlet 62 1/2" Dia.
41.8 Sq. Ft.

Max bhp = 304 ^{rpm} / 1000

CLASS MAX. RPM

- I 703
- II 891
- III 1115
- IV 1276
- V 1432
- VI 1590



600
DWDI

cfm	ov	1/4 SP		1/2 SP		3/4 SP		1 SP		1-1/4 SP		1-1/2 SP		2 SP		2-1/2 SP		3 SP		3-1/2 SP	
		rpm	bhp	rpm	bhp	rpm	bhp	rpm	bhp	rpm	bhp	rpm	bhp	rpm	bhp	rpm	bhp	rpm	bhp	rpm	bhp
33534	900	196	2.13	224	3.42	252	4.79	278	6.26	303	7.91	332	10.5								
37260	1000	211	2.60	238	4.01	263	5.48	287	7.04	310	8.70	319	9.63	381	15.6						
40986	1100	226	3.13	252	4.69	274	6.26	297	7.93	319	9.63	340	11.5								
44712	1200	242	3.76	266	5.44	288	7.13	308	8.90	329	10.7	349	12.6	387	16.8						
48438	1300	258	4.49	281	6.28	301	8.12	321	9.96	340	11.9	359	13.9	395	18.1	430	22.8				
52164	1400	275	5.32	296	7.20	316	9.19	334	11.2	352	13.2	370	15.3	404	19.7	437	24.4	469	29.5		
55890	1500	291	6.24	311	8.23	330	10.4	348	12.5	365	14.6	381	16.8	414	21.4	446	26.2	476	31.4	506	36.9
59616	1600	307	7.25	327	9.39	345	11.6	362	13.9	378	16.2	394	18.4	425	23.2	455	28.2	485	33.4	513	39.1
63342	1700	324	8.38	343	10.7	360	13.0	377	15.4	392	17.8	407	20.2	436	25.2	466	30.4	494	35.8	521	41.4
67068	1800	340	9.64	359	12.1	375	14.5	391	17.1	407	19.6	421	22.2	449	27.9	476	32.7	504	38.4	530	44.0
70794	1900	357	11.0	375	13.7	391	16.2	406	18.9	421	21.6	435	24.3	461	29.6	488	35.2	514	41.1	540	46.9
74520	2000	374	12.6	392	15.4	407	18.0	421	20.8	436	23.6	449	26.4	475	32.1	500	37.9	525	43.8	550	50.1
81972	2200	408	16.1	425	19.2	439	22.2	452	25.1	466	28.1	479	31.3	503	37.5	526	43.7	549	50.1	572	56.6
89424	2400	442	20.2	457	23.6	472	27.0	484	30.1	496	33.3	509	36.7	532	43.5	554	50.3	575	57.1	596	64.0
96876	2600	476	25.0	490	28.7	505	32.5	517	35.9	528	39.3	539	42.9	562	50.2	583	57.6	603	65.0	622	72.2
104328	2800	510	30.6	524	34.6	537	38.6	549	42.5	560	46.2	571	49.9	592	57.6	612	65.6	631	73.5	650	81.5
111780	3000	544	37.0	558	41.3	570	45.6	582	49.9	593	53.9	603	57.8	622	65.9	642	74.4	661	82.9	679	91.1
119232	3200	579	44.3	591	48.9	603	53.4	615	58.0	626	62.6	635	66.8	654	75.1	672	84.0	690	93.1	708	102
126684	3400	614	52.5	625	57.4	637	62.2	648	67.0	658	71.9	668	76.6	686	85.5	703	94.6	720	104	737	114
134136	3600	648	61.7	660	66.9	670	72.0	681	77.1	691	82.2	701	87.5	718	97.0	734	106	751	116	767	126
141588	3800	683	71.9	694	77.4	704	82.8	714	88.2	724	93.6	734	99.1	751	109	766	119	782	130	797	140
cfm	ov	4 SP		4-1/2 SP		5 SP		5-1/2 SP		6 SP		7 SP		8 SP		9 SP		10 SP		11 SP	
		rpm	bhp	rpm	bhp	rpm	bhp	rpm	bhp	rpm	bhp	rpm	bhp	rpm	bhp	rpm	bhp	rpm	bhp	rpm	bhp
67068	1800	556	50.1	581	56.6	605	63.2														
70794	1900	564	53.0	588	59.5	612	66.3	635	73.4												
74520	2000	574	56.3	597	62.8	620	69.6	643	76.8	665	84.1										
81972	2200	594	63.5	617	70.3	638	77.2	659	84.4	680	91.9	721	108	762	125						
89424	2400	617	71.2	638	78.5	658	85.9	678	93.4	698	101	736	117	774	134	811	152				
96876	2600	641	79.7	661	87.6	680	95.2	699	103	718	111	755	128	790	145	825	163	859	182	894	202
104328	2800	668	89.3	686	97.2	704	106	722	114	739	122	775	140	809	157	842	176	875	185	907	215
111780	3000	696	100	715	108	729	117	746	126	763	135	796	153	829	171	861	190	892	209	923	230
119232	3200	724	111	741	120	756	129	772	138	787	147	819	167	850	186	881	206	911	226	943	246
126684	3400	753	123	769	133	784	143	799	152	814	162	843	181	873	202	902	222	931	243	960	265
134136	3600	783	137	798	147	813	157	828	167	842	178	869	198	897	219	925	240	953	262	980	284
141588	3800	813	151	827	162	842	172	856	183	870	194	897	215	923	237	949	259	976	282	1002	305
149040	4000	843	166	857	178	871	189	885	200	899	212	925	234	950	257	975	279	1000	303	1025	327
156492	4200	874	183	887	194	901	207	915	218	928	230	954	254	978	278	1002	301	1025	325	1049	350
163944	4400	905	201	918	213	931	225	945	238	957	250	982	275	1006	300	1030	325	1052	349	1075	374
171396	4600	936	220	949	232	962	245	975	258	987	271	1012	297	1035	323	1058	350	1080	376	1102	401
178848	4800	966	241	981	254	993	267	1005	280	1017	294	1041	321	1064	348	1087	376	1108	403	1129	430
186300	5000	1001	263	1012	276	1024	290	1036	303	1048	318	1071	346	1093	374	1115	402	1137	431	1157	450
cfm	ov	12 SP		13 SP		14 SP		15 SP		16 SP		17 SP		18 SP		19 SP		20 SP		22 SP	
		rpm	bhp	rpm	bhp	rpm	bhp	rpm	bhp	rpm	bhp	rpm	bhp	rpm	bhp	rpm	bhp	rpm	bhp	rpm	bhp
104328	2800	938	236	971	258																
111780	3000	953	251	983	273	1012	295	1042	319												
119232	3200	969	267	998	290	1026	313	1054	336	1081	360	1110	385								
126684	3400	987	286	1015	308	1042	331	1069	355	1095	380	1121	405	1147	430						
134136	3600	1008	307	1034	329	1060	352	1086	376	1111	401	1136	428	1161	452	1186	479	1210	506		
141588	3800	1028	329	1054	352	1079	376	1104	400	1128	424	1153	450	1177	476	1201	503	1225	531	1271	587
149040	4000	1050	351	1075	376	1100	400	1124	425	1147	450	1171	476	1194	502	1217	529	1240	557	1285	614
156492	4200	1073	375	1097	400	1121	426	1144	452	1168	478	1190	504	1213	531	1235	558	1257	586	1301	643
163944	4400	1098	401	1121	427	1143	453	1166	480	1189	508	1211	535	1233	562	1255	589	1276	618	1318	675
171396	4600	1123	427	1145	454	1167	483	1189	510	1210	537	1232	566	1254	594	1275	623	1296	652	1337	710
178848	4800	1150	456	1171	484	1191	512	1213	541	1234	570	1254	598	1275	628	1296	658	1316	687	1357	747
186300	5000	1178	487	1198	515	1217	544	1237	573	1258	603	1278	633	1298	663	1318	693	1338	724	1377	786
193752	5200	1206	520	1225	549	1244	574	1263	607	1282	638	1302	669	1322	701	1341	731	1360	762	1398	826
201204	5400	1234	553	1253	584	1272	618	1290	644	1309	674	1327	706	1346	738	1365	771	1383	803	1420	867
208656	5600	1263	588	1282	620	1															



TYPE
A

660
DWDI

- CLASS** **MAX. RPM**
- I** **639**
 - II** **810**
 - III** **1014**
 - IV** **1160**
 - V** **1302**
 - VI** **1445**

Wheel 66" Dia.
 17.3' Circ.

Outlet 92 x 71½
 45.09 Sq. Ft.

Inlet 68½" Dia.
 50.4 Sq. Ft.

Max bhp = 487 rpm
1000

cfm	ov	1/4 SP		1/2 SP		3/4 SP		1 SP		1-1/4 SP		1-1/2 SP		2 SP		2-1/2 SP		3 SP		3-1/2 SP	
		rpm	bhp	rpm	bhp	rpm	bhp	rpm	bhp	rpm	bhp	rpm	bhp	rpm	bhp	rpm	bhp	rpm	bhp	rpm	bhp
40581	900	178	2.58	204	4.13	229	5.80	253	7.98	275	9.57	302	12.7								
45090	1000	192	3.14	216	4.85	239	6.63	261	8.52	282	10.5	309	13.9								
49599	1100	206	3.79	229	5.67	249	7.57	270	9.60	290	11.7	309	15.9	346	18.8						
54108	1200	220	4.55	242	6.58	261	8.63	280	10.8	299	13.0	317	15.5	352	20.3						
58617	1300	235	5.44	255	7.60	274	9.83	291	12.1	309	14.4	324	16.8	359	21.9	391	27.5				
53126	1400	250	6.43	269	8.72	287	11.1	304	13.5	320	16.0	336	18.5	368	23.8	398	29.5	426	35.7		
67695	1500	265	7.55	283	9.97	300	12.5	316	15.1	331	17.7	347	20.4	377	25.9	405	31.7	433	38.0	460	44.7
72144	1500	279	8.77	297	11.4	314	14.1	329	16.8	344	19.5	358	22.3	386	28.1	414	34.1	441	40.5	466	47.9
76653	1700	294	10.1	312	12.9	327	15.8	342	18.7	357	21.6	370	24.5	397	30.5	423	36.8	449	43.3	474	50.1
81162	1800	309	11.7	326	14.7	341	17.6	356	20.7	370	23.8	383	26.9	408	33.1	433	39.5	458	46.4	482	53.3
85671	1900	325	13.3	341	16.6	355	19.6	369	22.8	383	26.1	395	29.4	419	35.8	444	42.7	467	49.7	491	56.8
90180	2000	340	15.2	356	18.6	370	21.8	383	25.1	396	28.6	409	32.0	432	38.8	455	45.8	477	53.1	500	60.6
99198	2200	371	19.4	386	23.2	390	26.8	411	30.3	423	34.1	435	37.8	457	45.4	475	52.9	499	60.5	525	68.5
108215	2400	401	24.4	416	28.6	429	32.6	440	36.4	451	40.3	462	44.4	484	52.7	504	60.9	523	69.0	542	77.4
117234	2600	432	30.3	446	34.8	459	39.3	470	43.5	480	47.6	490	51.9	511	60.8	530	69.7	546	76.7	566	87.4
126252	2800	464	37.1	476	41.9	488	46.7	500	51.5	505	55.5	515	60.3	538	69.7	556	79.3	574	89.0	591	98.6
135270	3000	495	44.8	507	50.0	518	55.1	529	60.4	539	65.3	548	70.0	566	79.7	584	90.0	600	100	617	111
144288	3200	526	53.6	538	59.1	549	64.7	559	70.2	569	75.7	578	80.8	594	90.9	611	102	627	113	643	124
153306	3400	558	63.5	569	69.4	579	75.3	589	81.1	599	87.1	607	92.7	623	103	639	114	655	126	677	138
162324	3600	589	74.6	600	80.9	609	87.2	619	93.3	628	99.5	637	106	653	117	668	125	683	141	697	153
171342	3800	621	87.0	631	93.7	640	100	649	107	658	115	667	120	683	132	697	144	711	157	725	170
cfm	ov	4 SP		4-1/2 SP		5 SP		5-1/2 SP		6 SP		7 SP		8 SP		9 SP		10 SP		11 SP	
		rpm	bhp	rpm	bhp	rpm	bhp	rpm	bhp	rpm	bhp	rpm	bhp	rpm	bhp	rpm	bhp	rpm	bhp	rpm	bhp
81162	1800	505	60.6	528	68.4	550	76.5														
85671	1900	513	64.2	535	72.0	557	80.3	578	88.8												
90180	2000	522	68.1	543	76.0	564	84.2	584	92.9	604	102										
99198	2200	560	76.8	560	85.0	580	93.4	595	102	618	111	655	130	692	151	737	184				
108215	2400	561	86.2	580	94.9	598	104	617	113	638	122	670	141	704	162	757	194				
117234	2600	583	96.5	601	106	618	115	636	125	653	135	688	155	718	173	750	197	781	220	813	244
126252	2800	607	108	623	118	640	128	656	138	672	148	704	169	735	190	785	213	795	236	824	260
135270	3000	633	121	648	135	663	141	678	152	693	163	724	185	753	207	782	230	811	253	839	278
144288	3200	659	135	673	146	688	156	702	167	716	176	744	202	772	225	801	249	828	273	855	298
153306	3400	685	149	699	161	713	173	727	184	740	196	767	220	794	244	820	259	847	295	873	320
162324	3600	712	165	726	178	739	190	752	202	765	215	790	239	816	265	841	291	866	317	891	344
171342	3800	739	183	752	196	765	209	778	222	791	235	815	261	839	286	863	314	887	341	911	369
180360	4000	766	201	779	215	792	228	805	242	817	256	841	284	864	310	886	338	909	367	932	396
189378	4200	794	221	807	235	819	250	831	264	844	279	867	308	889	337	911	365	932	393	954	424
198396	4400	822	243	835	257	847	272	859	288	870	303	893	333	915	363	936	393	957	423	977	453
207414	4600	851	266	863	281	874	297	886	312	898	329	920	360	941	391	962	423	982	454	1002	485
216432	4800	880	291	891	307	903	323	914	339	925	355	946	388	967	421	988	455	1007	487	1027	520
225450	5000	910	319	920	334	931	351	942	367	953	384	974	419	994	453	1014	487	1035	522	1052	556
cfm	ov	12 SP		13 SP		14 SP		15 SP		16 SP		17 SP		18 SP		19 SP		20 SP		22 SP	
		rpm	bhp	rpm	bhp	rpm	bhp	rpm	bhp	rpm	bhp	rpm	bhp	rpm	bhp	rpm	bhp	rpm	bhp	rpm	bhp
126252	2800	853	286	882	312																
135270	3000	866	304	893	330	920	357	948	386												
144288	3200	881	324	907	350	933	378	958	407	983	426	1009	466								
153306	3400	898	346	923	373	947	401	972	430	996	460	1019	490	1043	521						
162324	3600	916	371	940	398	963	426	987	455	1010	485	1033	516	1056	548	1078					
171342	3800	935	398	958	426	981	455	1004	484	1026	513	1048	544	1070	576	1092	609	1113	642	1155	710
180360	4000	955	424	977	455	1000	485	1022	515	1043	545	1064	576	1086	608	1107	640	1127	674	1169	743
189378	4200	976	454	997	484	1019	516	1046	547	1062	579	1082	610	1103	643	1123	675	1143	709	1183	778
198396	4400	998	485	1019	517	1039	548	1060	581	1081	614	1101	647	1121	680	1140	713	1160	747	1198	817
207414	4600	1021	517	1041	550	1061	584	1081	617	1100	650	1120	685	1140	719	1159	754	1178	788	1215	859
216432	4800	1046	552	1064	585	1083	619	1102	655	1121	689	1140	724	1159	760	1178	796	1197	832	1233	904
225450	5000	1071	590	1089	624	1107	658	1125	693	1143	730	1162	766	1180	802	1198	838	1216	862	1252	951
234468	5200	1096	629	1114	664	1131	699	1148	735	1166	772	1184	809	1201	848	1219	885	1235	922	1271	1000
243486	5400	1122	670	1139	707	1156	743	1173	779	1190	816	1206	854	1223	893	1241	933	1257	972	1291	

Wheel 73" Dia.
19.1' Circ.

Outlet 102 x 79 1/8
55.16 Sq. Ft.

Inlet 76" Dia.
62.2 Sq. Ft.

Max bhp = 810 $\frac{\text{rpm}}{1000}$

CLASS MAX. RPM

- I 577
- II 732
- III 917
- IV 1049
- V 1179
- VI 1310



TYPE
A

730
DWDI

cfm	ov	1/4 SP		1/2 SP		3/4 SP		1 SP		1-1/4 SP		1-1/2 SP		2 SP		2-1/2 SP		3 SP		3-1/2 SP	
		rpm	bhp	rpm	bhp	rpm	bhp	rpm	bhp	rpm	bhp	rpm	bhp	rpm	bhp	rpm	bhp	rpm	bhp	rpm	bhp
49644	900	161	3.16	184	5.06	207	7.10	228	9.27	249	11.7										
55160	1000	173	3.84	195	5.94	216	8.11	236	10.4	255	12.9										
60676	1100	186	4.64	207	6.94	226	9.26	244	11.7	262	14.3	279	17.0	313	23.0						
66192	1200	199	5.57	219	8.05	236	10.6	253	13.2	270	15.9	287	18.7	318	24.8						
71708	1300	212	6.65	231	9.30	248	12.0	263	14.7	279	17.6	295	20.6	325	26.8	353	33.7				
77224	1400	226	7.87	243	10.7	259	13.6	274	16.5	289	19.5	304	22.6	332	29.1	359	36.1	386	43.7		
82740	1500	239	9.23	256	12.2	271	15.3	286	18.5	300	21.6	313	24.9	341	31.7	366	38.7	392	46.4	416	54.7
88256	1600	253	10.7	269	13.9	284	17.2	298	20.6	311	23.9	324	27.3	349	34.4	374	41.8	398	49.5	422	57.8
93772	1700	266	12.4	282	15.8	296	19.3	310	22.8	322	26.4	335	29.9	359	37.4	383	45.1	406	53.0	428	61.3
99288	1800	280	14.3	295	17.9	309	21.5	322	25.3	334	29.1	346	32.9	369	40.5	392	48.5	414	56.8	435	65.2
104804	1900	293	16.3	309	20.3	321	24.0	334	27.9	346	31.9	358	35.9	379	43.8	401	52.2	423	60.8	443	69.5
110320	2000	307	18.6	322	22.8	334	26.7	346	30.8	358	34.9	369	39.1	390	47.5	411	56.1	432	64.9	452	74.1
121352	2200	335	23.8	349	28.4	361	32.8	372	37.1	383	41.7	393	46.3	414	55.5	432	64.7	451	74.1	470	83.8
132384	2400	363	29.9	376	34.9	388	39.9	398	44.6	408	49.3	418	54.3	437	64.4	455	74.5	473	84.5	490	94.7
143416	2600	391	37.1	403	42.5	415	48.0	425	53.2	434	58.2	443	63.4	462	74.4	479	85.2	496	96.2	511	107
154448	2800	419	45.3	431	51.2	442	57.1	452	63.0	460	68.4	469	73.8	486	85.3	503	97.0	519	109	534	121
165480	3000	447	54.8	458	61.2	469	67.5	479	73.8	487	79.8	495	85.6	512	97.5	528	110	543	123	558	135
176512	3200	476	65.6	486	72.4	496	79.1	505	85.8	514	92.6	522	98.8	537	111	552	124	567	138	582	151
187544	3400	504	77.7	514	84.9	523	92.1	532	99.2	541	106	549	113	564	127	578	140	592	154	606	168
198576	3600	533	91.3	542	99.0	551	107	560	114	568	122	576	129	590	144	604	157	617	172	630	187
209608	3800	561	106	570	115	579	123	587	131	595	139	603	147	617	162	630	177	643	192	655	208
cfm	ov	4 SP		4-1/2 SP		5 SP		5-1/2 SP		6 SP		7 SP		8 SP		9 SP		10 SP		11 SP	
		rpm	bhp	rpm	bhp	rpm	bhp	rpm	bhp	rpm	bhp	rpm	bhp	rpm	bhp	rpm	bhp	rpm	bhp	rpm	bhp
99288	1800	457	74.2	477	83.7	497	93.6														
104804	1900	464	78.5	484	88.1	503	98.2	522	109												
110320	2000	472	83.4	491	92.9	510	103	528	114	546	125										
121352	2200	488	93.9	507	104	524	114	542	125	559	136	593	159	626	184						
132384	2400	507	105	524	116	541	127	557	138	574	149	605	173	636	198	667	225				
143416	2600	527	118	543	130	559	141	575	153	590	165	620	189	650	214	678	241	706	270	735	299
154448	2800	549	132	563	144	578	156	593	169	608	181	637	207	665	233	692	260	719	289	745	318
165480	3000	572	148	586	160	599	173	613	186	627	199	654	226	681	254	707	281	733	310	758	340
176512	3200	595	165	609	178	622	191	634	205	647	218	673	247	699	275	724	305	749	334	773	364
187544	3400	619	183	632	197	645	211	657	226	669	240	693	269	718	299	742	329	765	360	789	392
198576	3600	643	202	656	217	668	233	680	248	692	263	715	292	737	324	760	356	783	388	806	421
209608	3800	668	223	680	239	692	255	704	271	715	287	737	319	759	350	780	384	802	417	824	451
220640	4000	693	246	705	263	716	280	728	296	739	313	760	347	781	380	801	413	822	448	843	484
231672	4200	718	270	729	288	741	306	752	323	763	341	784	376	804	412	823	446	843	481	862	518
242704	4400	744	297	755	315	766	333	776	352	787	370	807	407	827	444	846	481	865	517	883	554
253736	4600	770	326	780	344	791	363	801	382	811	402	831	440	851	479	869	518	888	556	906	594
264768	4800	796	357	806	375	816	395	826	415	836	435	856	475	875	515	893	556	911	596	928	636
275800	5000	822	390	832	409	842	429	851	449	861	470	880	512	899	554	917	596	934	638	951	680
cfm	ov	12 SP		13 SP		14 SP		15 SP		16 SP		17 SP		18 SP		19 SP		20 SP		22 SP	
		rpm	bhp	rpm	bhp	rpm	bhp	rpm	bhp	rpm	bhp	rpm	bhp	rpm	bhp	rpm	bhp	rpm	bhp	rpm	bhp
154448	2800	771	349	798	381	832	437	857	472												
165480	3000	783	371	808	404	832	437	857	472												
176512	3200	797	396	820	429	843	463	866	497	889	533	912	570								
187544	3400	812	424	834	456	856	490	879	526	900	562	922	599	943	637						
198576	3600	828	454	850	487	871	521	892	557	913	593	934	631	954	670	975	709	995	749		
209608	3800	845	486	866	521	887	556	907	592	927	628	948	666	967	705	987	745	1006	785	1045	869
220640	4000	863	519	884	556	904	593	924	630	943	667	962	704	981	743	1001	783	1019	824	1056	909
231672	4200	882	556	902	592	921	631	941	670	960	708	978	747	997	786	1015	826	1033	867	1069	952
242704	4400	902	593	921	633	940	671	958	711	977	751	995	791	1013	832	1031	873	1049	914	1083	999
253736	4600	923	632	941	673	959	715	977	754	995	795	1013	838	1030	880	1048	922	1065	965	1099	1051
264768	4800	945	676	962	716	979	758	997	801	1014	843	1031	885	1048	929	1065	974	1082	1017	1115	1106
275800	5000	968	721	984	763	1000	805	1017	848	1034	893	1050	938	1067	981	1083	1026	1099	1072	1132	1163
286832	5200	991	770	1007	812	1023	855	1038	899	1054	944	1070	990	1086	1038	1102	1082	1118	1128	1149	1223
297864	5400	1014	819	1030	865	1045	909	1061	953	1076	998	1091	1045	1106	1092	1122	1141	1137	1189	1167	1284
308896	5600	1038	871	1053	916	1069	965	1083	1011	1098	1057	1112	1104	1127							



TYPE
A

CLASS **MAX. RPM**

- I** **521**
- II** **662**
- III** **829**
- IV** **948**
- V** **1066**
- VI** **1185**

Wheel 80 3/4" Dia.
21.1' Circ.

Outlet 112 3/4 x 87 1/2
67.49 Sq. Ft.

Inlet 84" Dia.
76.0 Sq. Ft.

Max bhp= 1315 rpm
1000

807
DWDI

cfm	ov	1/4 SP		1/2 SP		3/4 SP		1 SP		1-1/4 SP		1-1/2 SP		2 SP		2-1/2 SP		3 SP		3-1/2 SP	
		rpm	bhp	rpm	bhp	rpm	bhp	rpm	bhp	rpm	bhp	rpm	bhp	rpm	bhp	rpm	bhp	rpm	bhp	rpm	bhp
60741	900	145	3.87	167	6.19	187	8.68	206	11.3	225	14.3										
67490	1000	157	4.70	176	7.26	195	9.93	213	12.7	230	15.8	247	19.0								
74239	1100	168	5.68	187	8.49	204	11.3	221	14.4	237	17.5	253	20.8	283	28.2						
80988	1200	180	6.82	198	9.85	214	12.9	229	16.1	245	19.4	259	22.9	288	30.4						
87737	1300	192	8.14	209	11.4	224	14.7	238	18.0	253	21.6	267	25.2	294	32.8	319	41.2				
94486	1400	204	9.63	220	13.0	235	16.7	248	20.2	261	23.9	275	27.7	300	35.6	325	44.1	349	53.4		
101235	1500	216	11.3	231	14.9	245	18.8	259	22.6	271	26.4	283	30.5	308	38.8	331	47.4	354	56.8	376	66.9
107984	1600	228	13.1	243	17.0	256	21.1	269	25.2	281	29.3	292	33.4	316	42.1	338	51.1	360	60.6	381	70.8
114733	1700	241	15.2	255	19.4	268	23.6	280	27.9	291	32.3	302	36.6	324	45.7	346	55.1	367	64.8	387	75.0
121482	1800	253	17.5	267	22.0	279	26.3	291	30.9	302	35.6	313	40.2	333	49.5	354	59.3	374	69.5	394	79.7
128231	1900	265	20.0	279	24.8	290	29.3	302	34.2	313	39.0	323	43.9	343	53.6	363	63.8	382	74.4	401	85.0
134980	2000	278	22.7	291	27.9	302	32.6	313	37.6	324	42.7	334	47.9	353	58.1	371	68.6	390	79.4	409	90.7
148478	2200	303	29.1	315	34.8	326	40.2	336	45.4	346	51.0	356	56.6	374	68.0	391	79.1	408	90.7	425	103
161976	2400	328	36.6	340	42.8	351	48.9	360	54.5	369	60.4	378	66.5	395	78.8	412	91.2	427	103	443	116
175474	2600	353	45.3	364	52.0	375	58.8	384	65.1	392	71.2	401	77.6	417	91.0	433	104	448	118	462	131
188972	2800	379	55.5	389	62.7	399	69.9	408	77.0	416	83.7	424	90.3	440	104	455	119	469	133	483	148
202470	3000	405	67.0	414	74.8	424	82.5	433	90.4	441	97.7	448	105	462	119	477	135	491	150	504	166
215968	3200	430	80.2	439	88.5	448	96.8	457	105	465	113	472	121	486	136	499	152	513	169	526	185
229466	3400	456	95.1	465	104	473	113	481	121	489	130	496	139	509	155	522	171	535	189	548	206
242964	3600	482	112	490	121	498	130	506	140	514	149	521	158	534	176	546	193	558	211	570	229
256462	3800	508	130	516	140	523	150	531	160	538	170	545	178	558	198	569	216	581	235	593	254
cfm	ov	4 SP		4-1/2 SP		5 SP		5-1/2 SP		6 SP		7 SP		8 SP		9 SP		10 SP		11 SP	
		rpm	bhp	rpm	bhp	rpm	bhp	rpm	bhp	rpm	bhp	rpm	bhp	rpm	bhp	rpm	bhp	rpm	bhp	rpm	bhp
121482	1800	413	90.8	431	102	450	115														
128231	1900	419	96.1	437	108	455	120	472	133												
134980	2000	426	102	444	114	461	126	478	139	494	152										
148478	2200	442	115	458	127	474	140	490	153	505	166	536	195	566	226	603	275				
161976	2400	458	129	474	142	489	156	504	169	519	183	547	212	575	243	613	295	639	330	664	366
175474	2600	476	144	491	159	505	172	519	187	533	202	561	231	587	262	613	295	639	330	664	366
188972	2800	496	162	509	176	523	191	536	206	545	222	576	253	601	285	626	318	650	353	674	390
202470	3000	517	181	529	196	542	211	554	227	567	244	591	276	616	310	639	344	663	379	685	416
215968	3200	538	202	550	218	562	234	573	250	585	267	609	302	632	337	655	373	677	409	699	446
229466	3400	560	224	572	241	583	259	594	276	605	293	627	329	649	366	670	403	692	441	713	479
242964	3600	582	247	593	266	604	285	615	303	625	322	646	358	667	396	687	435	708	474	728	515
256462	3800	604	273	615	293	626	312	636	332	646	351	666	390	686	429	705	469	725	511	745	552
269960	4000	626	301	637	322	647	342	658	363	668	383	687	424	706	465	724	506	743	549	762	592
283458	4200	649	331	659	352	670	374	680	395	689	417	709	461	727	504	744	546	762	589	780	634
296956	4400	672	363	682	385	692	408	702	431	711	453	730	498	748	544	765	589	782	633	799	678
310454	4600	696	398	705	421	715	444	724	468	734	492	752	539	767	586	786	633	802	680	819	727
323952	4800	720	436	729	459	738	483	747	508	756	532	774	581	791	630	807	680	823	729	839	778
337450	5000	744	477	752	501	761	525	770	550	779	575	796	627	812	678	829	729	845	781	860	832
cfm	ov	12 SP		13 SP		14 SP		15 SP		16 SP		17 SP		18 SP		19 SP		20 SP		22 SP	
		rpm	bhp	rpm	bhp	rpm	bhp	rpm	bhp	rpm	bhp	rpm	bhp	rpm	bhp	rpm	bhp	rpm	bhp	rpm	bhp
188972	2800	697	427	721	467																
202470	3000	708	454	730	494	752	535	774	577												
215968	3200	720	484	741	524	762	566	783	609	804	652	825	698								
229466	3400	734	518	754	558	774	600	794	643	814	688	833	733	853	780	881	867	899	916		
242964	3600	749	556	768	596	787	638	807	682	826	726	844	772	863	820	881	867	899	916		
256462	3800	764	595	783	637	802	680	820	724	838	768	857	815	875	862	892	911	910	961	944	1063
269960	4000	780	635	799	681	817	725	835	771	853	816	870	862	887	910	904	958	921	1009	955	1112
283458	4200	798	680	815	725	833	772	850	819	868	866	885	914	901	962	918	1010	934	1061	967	1169
296956	4400	816	725	833	774	849	821	866	869	883	919	900	968	916	1018	932	1068	948	1119	980	1223
310454	4600	834	774	851	823	867	874	883	923	899	973	916	1025	931	1077	947	1128	963	1180	993	1285
323952	4800	853	827	870	876	885	927	901	980	917	1032	932	1083	948	1137	963	1191	978	1245	1008	1353
337450	5000	875	883	890	933	904	985	919	1038	934	1092	949	1147	964	1200	979	1255	994	1311	1023	1424
350948	5200	896	942	910	994	925	1047	939	1100	953	1155	967	1211	982	1270	996	1324	1010	1380	1039	1497
364446	5400	917	1002	931	1058	945	1112	959	1167	972	1222	986	1278	1000	1337	1014	1397	1028	1455	1053	1571

Wheel 89" Dia.
23.3' Circ.

Outlet 124 x 96 1/2
81.99 Sq. Ft.

Inlet 92 1/2" Dia.
92.6 Sq. Ft.

Max bhp = 2175 ³ rpm 1000

CLASS MAX. RPM

- I 473
- II 600
- III 752
- IV 860
- V 966
- VI 1070



TYPE

A



cfm	ov	1/4 SP		1/2 SP		3/4 SP		1 SP		1-1/4 SP		1-1/2 SP		2 SP		2-1/2 SP		3 SP		3-1/2 SP	
		rpm	bhp	rpm	bhp	rpm	bhp	rpm	bhp	rpm	bhp	rpm	bhp	rpm	bhp	rpm	bhp	rpm	bhp	rpm	bhp
73791	900	132	4.70	151	7.52	170	10.5	187	13.8	204	17.4										
81990	1000	142	5.71	160	8.82	177	12.1	193	15.5	209	19.1	224	23.1								
90169	1100	152	6.90	170	10.3	185	13.8	200	17.5	215	21.2	229	25.3	257	34.3						
98388	1200	163	8.28	179	12.0	194	15.7	208	19.6	222	23.6	235	27.8	261	36.9						
106587	1300	174	9.89	189	13.8	203	17.9	216	21.9	229	26.2	242	30.6	266	39.8	290	50.1				
114786	1400	185	11.7	199	15.8	213	20.2	225	24.6	237	29.0	249	33.7	273	43.3	295	53.6	316	64.9		
122985	1500	196	13.7	210	18.1	223	22.8	235	27.5	246	32.1	257	37.1	279	47.1	301	57.6	321	69.0	341	81.2
131184	1600	207	15.9	220	20.7	233	25.6	244	30.6	255	35.5	265	40.6	287	51.2	307	62.1	327	73.6	346	86.0
139383	1700	218	18.4	231	23.5	243	28.7	254	34.0	264	39.3	274	44.5	294	55.5	314	67.0	333	78.7	351	91.1
147582	1800	230	21.2	242	26.7	253	32.0	264	37.6	274	43.2	284	48.8	302	60.1	321	72.1	340	84.4	357	96.8
155781	1900	241	24.3	253	30.1	264	35.6	274	41.5	284	47.4	293	53.4	311	65.1	329	77.6	347	90.4	364	103
163980	2000	252	27.6	264	33.9	274	39.6	284	45.7	294	51.9	303	58.2	320	70.6	337	83.3	354	96.5	371	110
180378	2200	275	35.3	286	42.2	296	48.8	305	55.2	314	61.9	323	68.8	339	82.6	355	96.1	370	110	385	125
196776	2400	298	44.4	308	51.9	318	59.4	326	66.2	335	73.3	343	80.8	359	95.7	374	111	388	126	402	141
213174	2600	321	55.1	331	63.2	340	71.4	348	79.1	356	86.5	364	94.3	379	111	393	127	406	143	419	159
229572	2800	344	67.4	353	76.3	362	84.9	370	93.6	378	102	385	110	399	127	413	144	426	162	438	179
245970	3000	367	81.4	376	90.9	384	100	393	110	400	119	406	127	420	145	433	164	445	182	457	201
262368	3200	390	97.4	399	108	407	118	415	128	422	138	428	147	441	165	453	185	465	205	477	225
278766	3400	414	115	422	126	429	137	437	148	444	158	450	169	462	188	474	208	486	229	497	250
295164	3600	437	136	445	147	452	158	459	170	466	181	473	192	484	213	495	234	506	256	517	278
311562	3800	461	158	468	170	475	182	481	194	488	206	495	218	506	241	517	263	527	285	538	308
cfm	ov	4 SP		4-1/2 SP		5 SP		5-1/2 SP		6 SP		7 SP		8 SP		9 SP		10 SP		11 SP	
		rpm	bhp	rpm	bhp	rpm	bhp	rpm	bhp	rpm	bhp	rpm	bhp	rpm	bhp	rpm	bhp	rpm	bhp	rpm	bhp
147582	1800	375	110	391	124	408	139														
155781	1900	380	117	397	131	413	146	428	161												
163980	2000	387	124	403	138	418	153	435	169	448	185										
180378	2200	401	140	416	155	430	170	444	186	458	202	486	237	513	274						
196776	2400	416	157	430	173	444	189	457	205	470	222	497	257	522	295	547	334				
213174	2600	432	175	445	193	458	210	471	227	484	245	509	281	533	319	556	359	579	401	603	445
229572	2800	450	196	462	214	474	232	486	251	498	269	522	308	545	346	568	386	590	429	611	473
245970	3000	469	220	480	238	491	257	503	276	514	297	537	336	559	377	580	418	601	461	622	505
262368	3200	488	245	499	265	510	284	520	304	531	324	552	367	573	409	594	453	614	497	634	541
278766	3400	508	272	519	293	529	314	539	335	549	356	568	399	589	444	608	489	628	536	647	582
295164	3600	528	301	538	323	548	346	558	368	567	391	586	435	603	481	624	529	642	576	661	626
311562	3800	548	332	558	356	568	379	577	403	587	427	605	474	622	521	640	570	658	621	676	671
327960	4000	568	366	578	391	587	415	597	441	606	465	624	516	640	565	657	614	674	667	691	720
344358	4200	589	402	598	428	608	455	617	480	626	507	643	560	659	612	675	663	691	715	707	770
360756	4400	610	441	619	468	628	495	637	523	645	550	662	603	678	660	694	715	709	769	725	824
377154	4600	631	484	640	511	648	540	657	568	666	597	682	654	698	712	713	769	728	826	743	883
393552	4800	653	530	661	558	669	587	678	617	686	646	702	706	717	766	733	827	747	886	761	945
409950	5000	675	580	683	608	690	638	698	668	706	699	722	761	737	823	752	886	766	949	780	1011
cfm	ov	12 SP		13 SP		14 SP		15 SP		16 SP		17 SP		18 SP		19 SP		20 SP		22 SP	
		rpm	bhp	rpm	bhp	rpm	bhp	rpm	bhp	rpm	bhp	rpm	bhp	rpm	bhp	rpm	bhp	rpm	bhp	rpm	bhp
229572	2800	632	519	654	567																
245970	3000	642	552	662	600	682	650	703	701												
262368	3200	653	589	673	637	692	688	710	739	729	793	748	848								
278766	3400	666	630	684	678	702	729	721	781	738	836	756	891	773	947						
295164	3600	679	675	697	725	714	775	732	828	749	882	764	938	783	996	799	1054	816	1113		
311562	3800	693	723	711	774	728	826	744	880	761	934	777	990	793	1048	810	1107	826	1168	857	1291
327960	4000	708	772	725	827	741	881	758	936	774	991	789	1047	803	1105	821	1164	836	1225	867	1351
344358	4200	724	826	740	881	756	938	772	995	787	1053	803	1110	818	1169	833	1227	848	1289	877	1415
360756	4400	740	881	756	941	771	997	786	1056	801	1117	816	1176	831	1237	846	1297	860	1359	889	1485
377154	4600	757	940	772	1000	787	1062	801	1121	816	1182	831	1245	845	1308	859	1371	874	1434	901	1562
393552	4800	775	1004	789	1064	803	1126	818	1191	832	1253	846	1316	860	1381	874	1447	887	1512	915	1643
409950	5000	794	1072	807	1134	821	1196	834	1261	848	1327	861	1394	875	1458	888	1525	902	1593	928	1729
426348	5200	813	1144	826	1208	839	1271	852	1336	864	1403	878	1472	891	1542	904	1608	917	1676	943	1819
442746	5400	832	1218	845	1285	857	1351	870	1417	882	1464	895	1553	907	1624	920	1697	932	1767	957	1909
459144	5600	851	1295	864	1364	876	1435	889	1503	901	1571	912	1641	924							



TYPE
A

CLASS **MAX. RPM**

- I** **428**
- II** **544**
- III** **681**
- IV** **779**
- V** **876**
- VI** **973**

Wheel **98 1/4" Dia.**
 25.7' Circ.

Outlet **137 x 106 1/2**
 99.92 Sq. Ft.

Inlet **102" Dia.**
 112 Sq. Ft.

Max bhp = 3540 ^{rpm}
 1000

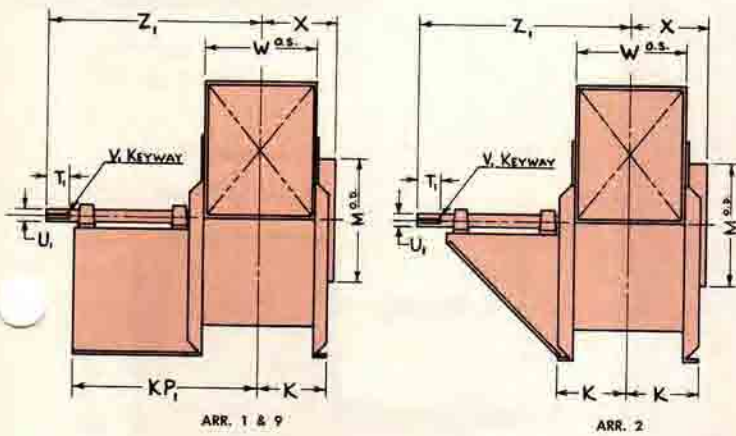
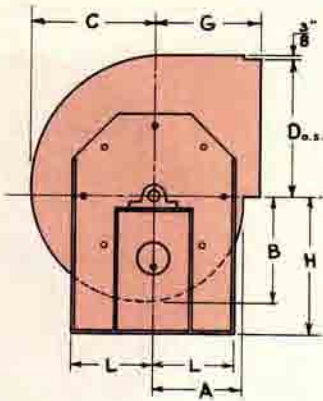
982
DWDI

cfm	ov	1/4 SP		1/2 SP		3/4 SP		1 SP		1-1/4 SP		1-1/2 SP		2 SP		2-1/2 SP		3 SP		3-1/2 SP	
		rpm	bhp	rpm	bhp	rpm	bhp	rpm	bhp	rpm	bhp	rpm	bhp	rpm	bhp	rpm	bhp	rpm	bhp	rpm	bhp
89928	900	120	5.73	137	9.16	154	12.9	170	16.8	185	21.2										
99920	1000	129	6.96	145	10.8	160	14.7	175	18.9	189	23.5	203	28.2								
109912	1100	138	8.40	154	12.6	168	16.8	181	21.3	195	25.9	208	30.8	233	41.7						
119904	1200	148	10.1	162	14.6	176	19.1	188	23.9	201	28.8	213	33.8	236	44.9						
129896	1300	158	12.0	171	16.8	184	21.8	196	26.7	208	31.9	219	37.3	241	48.5	262	61.0				
139888	1400	168	14.3	181	19.3	193	24.7	204	29.9	215	35.4	226	41.0	247	52.8	267	65.3	288	79.1		
149880	1500	178	16.7	190	22.1	202	27.8	212	33.5	223	39.1	233	45.2	253	57.4	272	70.2	291	84.1	309	99.0
159872	1600	188	19.4	200	25.2	211	31.2	221	37.3	231	43.3	240	49.4	260	62.3	278	75.7	296	89.7	313	105
169864	1700	198	22.5	209	28.7	220	34.9	230	41.4	240	47.9	249	54.2	267	67.7	284	81.6	302	95.9	318	111
179856	1800	208	25.8	219	32.5	229	39.0	239	45.8	248	52.7	257	59.5	274	73.3	291	87.8	308	103	324	118
189848	1900	218	29.6	229	36.7	239	43.4	248	50.6	257	57.8	266	65.0	282	79.3	298	94.5	314	110	330	126
199840	2000	228	33.7	239	41.3	248	48.3	257	55.7	266	63.3	274	70.9	290	86.0	305	102	321	118	336	134
219824	2200	249	43.1	259	51.5	268	59.5	276	67.2	284	75.5	292	83.8	307	101	321	117	335	134	349	152
229808	2400	270	54.1	279	63.3	288	72.3	296	80.7	303	89.4	311	98.4	325	117	338	135	351	153	364	172
239792	2600	291	67.1	300	77.0	308	87.0	316	96.4	322	105	329	115	343	135	356	154	368	174	380	194
279776	2800	311	82.1	320	92.8	328	103	336	114	342	124	349	134	361	155	374	176	386	197	397	219
299760	3000	332	99.3	341	111	348	122	356	134	362	145	368	155	380	177	392	199	403	222	414	245
319744	3200	354	119	361	131	368	143	375	155	382	168	388	179	399	201	410	225	421	250	432	274
339728	3400	375	141	382	154	389	167	396	180	402	193	408	205	419	229	429	254	440	279	458	305
359712	3600	396	165	403	179	409	193	416	207	422	221	428	235	439	260	448	285	458	312	468	339
379696	3800	417	193	424	208	430	222	438	237	442	251	448	266	459	294	468	320	477	347	487	376
cfm	ov	4 SP		4-1/2 SP		5 SP		5-1/2 SP		6 SP		7 SP		8 SP		9 SP		10 SP		11 SP	
		rpm	bhp	rpm	bhp	rpm	bhp	rpm	bhp	rpm	bhp	rpm	bhp	rpm	bhp	rpm	bhp	rpm	bhp	rpm	bhp
179856	1800	339	134	355	152	370	170														
189848	1900	345	142	359	160	374	178	388	197												
199840	2000	350	151	365	168	379	187	392	206	406	226										
219824	2200	363	170	376	188	390	207	403	226	415	246	440	289	465	334						
229808	2400	377	191	389	210	402	230	414	250	426	271	450	314	473	360	495	407				
239792	2600	392	214	404	235	415	258	427	277	438	299	461	342	483	388	504	437	525	488	546	542
279776	2800	408	239	419	261	430	283	441	306	451	328	473	375	494	422	514	471	534	523	594	577
299760	3000	423	268	435	290	445	313	455	337	468	361	486	409	506	459	526	510	545	561	636	616
319744	3200	437	298	452	323	462	347	471	371	481	395	500	447	519	499	538	552	556	605	674	650
339728	3400	450	331	470	357	479	383	488	408	497	434	515	487	533	541	551	596	569	653	686	710
359712	3600	478	366	487	394	497	421	505	449	514	476	531	530	568	586	644	582	702	699	763	763
379696	3800	496	405	505	433	514	462	523	491	531	520	548	578	564	635	580	695	596	756	612	817
399680	4000	515	446	524	476	532	506	541	537	549	567	565	628	580	688	595	749	611	812	626	877
419664	4200	533	490	542	522	550	554	559	585	567	618	582	682	597	746	612	808	626	872	641	939
439648	4400	553	538	561	571	569	604	577	638	585	671	600	737	615	805	629	872	643	937	656	1004
459632	4600	572	590	580	623	587	658	595	692	603	728	618	797	632	867	646	938	660	1007	673	1076
479616	4800	591	646	599	680	606	715	614	751	621	787	636	861	650	933	664	1007	677	1080	690	1152
499600	5000	611	706	618	741	625	777	633	814	640	852	654	928	668	1003	681	1079	694	1156	707	1232
cfm	ov	12 SP		13 SP		14 SP		15 SP		16 SP		17 SP		18 SP		19 SP		20 SP		22 SP	
		rpm	bhp	rpm	bhp	rpm	bhp	rpm	bhp	rpm	bhp	rpm	bhp	rpm	bhp	rpm	bhp	rpm	bhp	rpm	bhp
279776	2800	573	633	593	691																
299760	3000	582	673	600	732	618	792	636	855												
319744	3200	592	717	609	777	627	838	644	901	660	966	678	1033								
339728	3400	603	767	620	827	636	888	653	952	669	1018	685	1085	701	1154						
359712	3600	615	823	631	883	647	944	663	1009	679	1075	694	1143	709	1213	724	1284	739	1357		
379696	3800	628	881	644	944	659	1007	674	1072	689	1138	704	1206	719	1277	733	1349	748	1423	776	1574
399680	4000	641	941	657	1008	671	1074	686	1141	701	1208	715	1276	729	1347	743	1419	757	1493	785	1647
419664	4200	656	1007	670	1073	685	1143	699	1213	713	1283	727	1353	741	1424	754	1495	768	1571	795	1725
439648	4400	670	1074	684	1146	698	1215	712	1287	726	1361	739	1434	753	1508	766	1581	779	1656	805	1810
459632	4600	686	1146	699	1219	713	1295	726	1367	739	1441	752	1517	766	1594	779	1670	791	1747	816	1903
479616	4800	702	1224	715	1297	728	1373	741	1451	753	1527	766	1604	779	1683	791	1764	804	1843	828	2003
499600	5000	719	1307	731	1382	743	1458	756	1536	768	1617	780	1698	792	1777	805	1858	817	1942	841	2108
519584	5200	736	1394	748	1472	760	1549	771	1628	783	1710	795	1793	807	1880	819	1960	830	2043	854	2216
539568	5400	754	1484	765	1567	777	1647	788	1727	799	1809	810	1893	822	1979	833	2068	845	2154	867	232



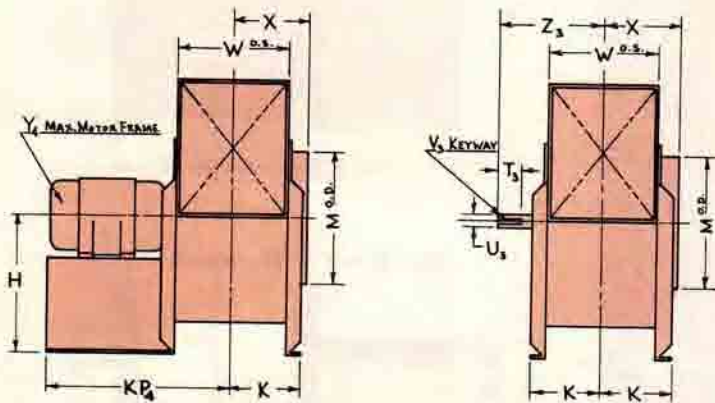
ARRANGEMENTS 1, 2, 3, 4 and 9 SWSI

ADJUSTABLE DISCHARGE CLASS I and II



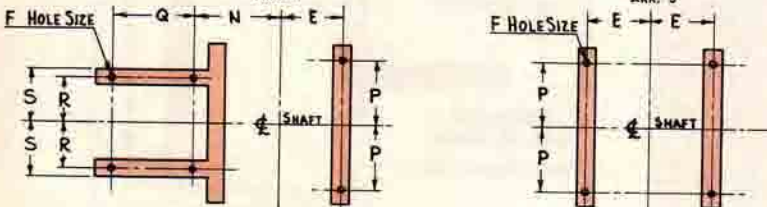
ARR. 1 & 9

ARR. 2



ARR. 4

ARR. 3



ARR. 1, 4, & 9

ARR. 2 & 3

Sub-numbers indicate Arrangement such as KP_1 = Arr. 1, KP_4 = Arr. 4 etc.

Do Not Use For Construction Purposes Unless Certified See Page 6 For Standard Discharges.

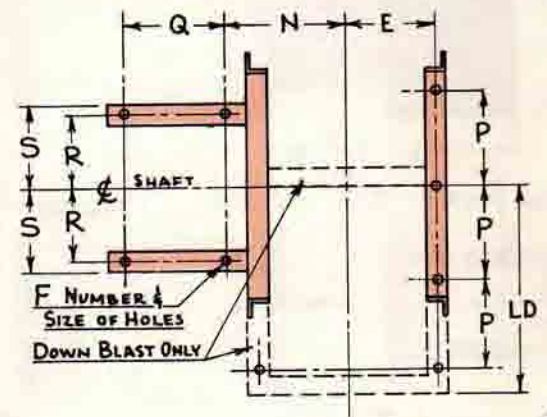
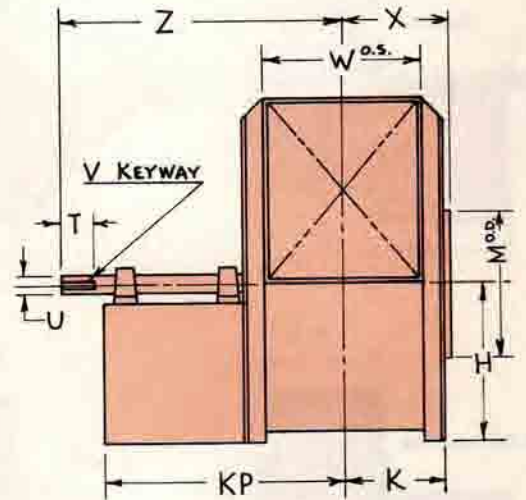
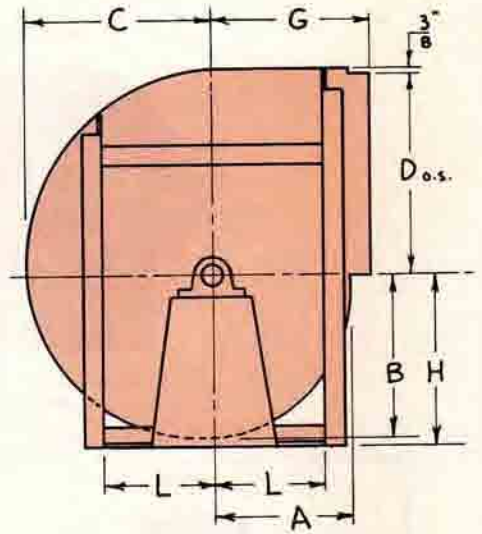
SIZE	122	135	150	165	182	200	222	245
WHL. DIA.	12 1/4	13 1/2	15	16 1/2	18 1/4	20	22 1/4	24 1/2
A	8 5/8	9 3/8	10 3/8	11 3/8	12 5/8	13 3/4	15 1/4	16 3/4
B	10 5/8	11 5/8	12 7/8	14 1/8	15 5/8	17	18 7/8	20 7/8
C	12 1/4	13 1/2	14 7/8	16 3/8	18	19 3/4	21 7/8	24 1/8
D	13 3/8	14 3/4	16 3/8	18	19 7/8	21 3/4	24 1/8	26 5/8
E	5 11/16	6 1/8	6 3/4	7 5/16	8 1/4	8 7/8	9 3/4	10 11/16
F	7 1/16	7 1/16	7 1/16	7 1/16	7 1/16	7 1/16	7 1/16	7 1/16
G	11 1/2	12 1/2	13 1/4	14 1/4	15 1/2	16 1/2	17 3/4	19
H	15 1/2	17	18 1/2	20	22	24	26	28 1/2
K	6 3/16	6 3/4	7 3/8	7 15/16	9 1/8	9 3/4	10 5/8	11 1/16
KP_2	15 1/16	16 3/8	19	19 9/16	22 1/4	22 7/8	26 1/4	27 3/16
KP_1	15	16 3/8	18 3/4	21 1/2	23 3/4	24 1/2	27 1/4	29 1/2
L	8 1/4	8 7/8	9 5/8	10 3/8	12	13	14	15 1/4
M	16	17 1/4	18 3/4	20 1/4	23 1/4	25 1/4	27 1/4	29 3/4
N	7 19/16	8 3/8	9	9 9/16	11 1/4	11 7/8	12 3/4	13 11/16
P	5 1/4	5 7/8	6 5/8	7 3/8	8	9	10	11 1/4
Q_1	6 1/4	6 1/2	8 1/2	8 1/2	9	9	11 1/2	11 1/2
Q_2	5 1/4	6 1/2	7 3/4	10 1/2	10 1/2	10 1/2	12 1/2	13 1/2
R_1	4 7/8	4 7/8	5 7/8	5 7/8	7 1/8	7 1/8	8 1/8	8 1/8
R_2	6 1/8	6 7/8	7 3/8	8 3/8	8 5/8	9 1/8	9 5/8	11 5/8
S_1	5 1/2	5 1/2	6 1/2	6 1/2	8	8	9	9
S_2	6 3/4	7 1/2	8	9	9 1/2	10	10 1/2	12 1/2
T	3	3	3	3	3	3	3	3
U	15 1/16	15 1/16	15 1/16	15 1/16	15 1/16	15 1/16	15 1/16	15 1/16
V	1/4 x 1/8						3/8 x 3/16	
Z_1	19 1/4	19 5/8	22 1/4	22 7/8	25 1/2	26 1/8	29 1/2	30 1/2
Z_2	10 1/2	10 7/8	11 1/2	12 1/8	12 3/4	13 3/8	14 1/4	15 1/4
T	3	3	3	3	3	3	3 1/2	3 1/2
U_1	15 1/16	15 1/16	15 1/16	15 1/16	15 1/16	15 1/16	15 1/16	15 1/16
V_1	1/4 x 1/8						3/8 x 3/16	
U_2	15 1/16	15 1/16	15 1/16	15 1/16	15 1/16	15 1/16	15 1/16	15 1/16
V_2	1/4 x 1/8						3/8 x 3/16	
Z_1	19 1/4	19 5/8	22 1/4	22 7/8	25 1/2	26 1/8	30	31
Z_2	10 1/2	10 7/8	11 1/2	12 1/8	12 3/4	13 3/8	15 1/4	16 1/4
W	9 5/8	10 1/2	11 3/4	12 7/8	14 1/4	15 1/2	17 1/4	19 1/8
X	6 7/16	6 7/8	7 1/2	8 1/16	8 3/4	9 3/8	10 3/4	11 11/16
Y_1	184	213	215	254U	256U		286U	326U
Y_2	182	184	213		215		254U	



DIMENSIONS

ARRANGEMENT 1 and 9 SWSI FIXED DISCHARGE CLASS I and II

SIZE	270	300	330	363	402	445	490	542	600	660	730	807	890	982		
WHL DIA.	27	30	33	36½	40¼	44½	49	54¼	60	66	73	80¼	89	98¼		
A	18½	20½	22½	24¾	27½	30¾	33½	36½	40¾	44¾	49½	54¾	59¾	66		
B	22¾	25¾	27¾	30¾	34½	37¾	41¾	45½	50¾	55¾	61½	68	74½	82¼		
C	26½	29½	32¾	35¾	39½	43½	47½	53¼	58¾	64½	71¾	78¾	86½	95½		
D	29¾	32¾	35¾	39¾	43¾	48¾	53¾	58¾	65	71½	79½	87½	96½	106½		
E	11¾	13¾	14¾	15¾	17¾	19¾	20¾	22¾	25¾	28¾	30¾	33¾	36¾	40¼		
F	6 - 11/16				7 - 11/16				7 - 7/8				7 - 1/8			
G	STD.	21	23	25	27½	30½	33½	36½	40	44½	48½	53	58½	65	73	
	TAD	31	33	35	38	42½	46½	50	52½	61	65	71	76	81	87	
H	BH	32½	35	38½	42½	47	51½	56½	62	69	76	83	92	101	112	
	BAU	29	32	35	39	43	47	52	57	63	69	76	84	95	104½	
	UB	27½	30½	33½	37	40½	44½	49	54	60	66	73	81	89¾	99¼	
	TAU	26½	28½	31½	34½	38	42	46	50½	56	62	68	75	83½	92½	
	TH	24½	26½	29	32	35	38½	42½	47	52	57	63	70	77¾	86	
	TAD	22	24	26½	29	32	35	38½	42½	47	52	57	63	70½	77½	
	DB	21½	23½	25½	28	31	34	37	40½	45	49	53½	59	65½	73½	
	K	13	14¼	15¾	16¾	18¾	20¾	22	24¾	27¼	29¾	32¾	35¾	38¾	42	
KP	28¾	29¾	35	36¾	42¾	44½	53¼	55¼	62¾	67¾	73½	79½	91¾	100¾		
L	17½	19	20½	22½	25	27½	30	32	36	39	43	47	51¾	54½		
LD	31¾	35¼	38¾	42¼	46¾	51¾	56¾	61¾	69	75½	83¾	91½	100½	111½		
M	33¼	36¼	39¼	42¼	46¾	51¼	55¾	56¾	62½	68½	76	84	92½	102		
N	15½	16¾	17¾	19¼	21¾	23¾	25	27¼	31¼	33¾	36¾	39¾	48½	46		
P	12½	14	15½	17½	19	21½	24	26	28	31	35	39	43½	46½		
Q	10½	10½	14½	14½	18	18	25	25	27	30	33	36	43¾	50		
R	12½	14	15½	17½	19	21½	24	26	28	31	35	39	43	47½		
S	13¾	15¾	16¾	18¾	20¼	22¾	25¼	27¼	29½	32½	36½	40½	44½	49		
CLASS I	T	3½	3½	3½	3½	4	4	5	5	5	5	6	7	8		
	U	11¼	11¼	11¼	11¼	11¼	11¼	11¼	11¼	11¼	11¼	11¼	11¼	11¼	11¼	
	V	¾ x ¾		½ x ¼		¾ x ¾		¾ x ¾		¾ x ¾		1 x ¼		1¼ x ¾		1½ x ¾
	Z	32¾	33¾	38¾	40¾	46¾	48¾	57¾	60¾	67¾	73	78¾	85¾	100	109¼	
CLASS II	T	4	4	4	4	5	5	5	5	6	6	7	8	9		
	U	2¼	2¼	2¼	2¼	2¼	2¼	2¼	2¼	2¼	2¼	2¼	2¼	2¼	2¼	
	V	½ x ¼		¾ x ¾		¾ x ¾		¾ x ¾		1 x ¼		1¼ x ¾		1½ x ¾		
	Z	32¾	34¾	39¾	40¾	48¾	49¾	58¾	60¾	68¾	74	79¾	86¾	100	109¼	
W	21	23¾	25¾	28¾	31¼	34¾	38	42¾	46½	51¾	56¾	62¾	68¾	76		
X	12½	13¾	14¾	16¼	18¼	19¾	21½	23¾	26¼	28¾	31¾	34¾	44¼	48½		

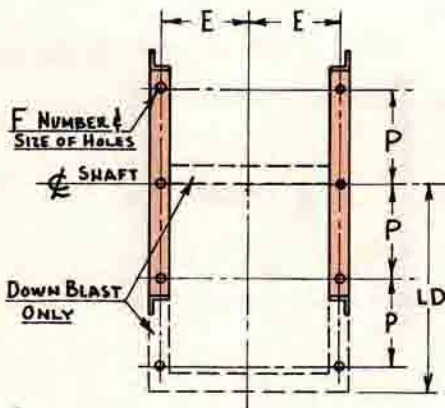
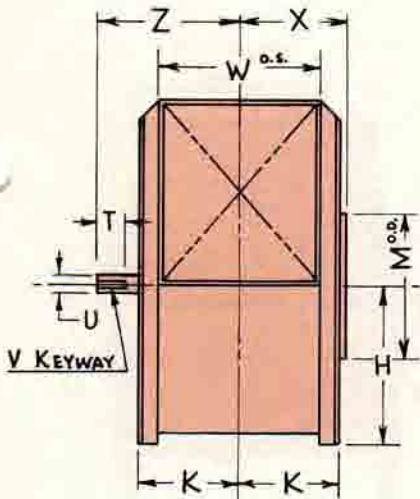
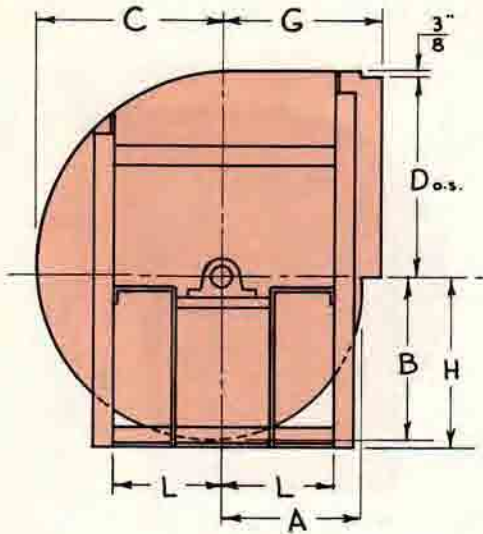


Do not use for construction purposes unless certified.
See page 6 for standard discharges.



ARRANGEMENT 3 SWSI

FIXED DISCHARGE CLASS I and II



SIZE	270	300	330	365	402	445	490	542	600	660	730	807	890	982		
WHL. DIA.	27	30	33	36½	40¼	44½	49	54¼	60	66	73	80¾	89	98¼		
A	18½	20½	22½	24⅞	27⅞	30⅞	33⅞	36⅞	40⅞	44⅞	49½	54¼	59⅞	66		
B	22⅞	25⅞	27⅞	30⅞	34⅞	37⅞	41⅞	45⅞	50⅞	55⅞	61½	68	74½	82¼		
C	26½	29½	32⅞	35¾	39⅞	43¼	47¼	51¼	58¼	64½	71⅞	78⅞	86½	95½		
D	29⅞	32⅞	35⅞	39⅞	43¾	48⅞	53⅞	58⅞	65	71½	79⅞	87½	96½	106½		
E	11⅞	13⅞	14¼	15⅞	17⅞	19⅞	20¾	22⅞	25¾	28⅞	30⅞	33⅞	36¾	40¼		
F	4 - 1¼			6 - 1¼			6 - ⅞			6 - 1⅞						
G	STD.	21	23	25	27½	30½	33½	36½	40	44½	48½	53	58½	65	73	
	TAD	31	33	35	38	42½	46½	50	52½	61	65	71	76	81	86	
H	BH	32½	35	38½	42½	47	51½	56½	62	69	76	83	92	101	112	
	BAU	29	32	35	39	43	47	52	57	63	69	76	84	95	104½	
	UB	27½	30½	33½	37	40½	44½	49	54	60	66	73	81	89¾	99¼	
	TAU	26½	28½	31½	34½	38	42	46	50½	56	62	68	75	83½	92½	
	TH	24½	26½	29	32	35	38½	42½	47	52	57	63	70	77¾	86	
	TAD	22	24	26½	29	32	35	38½	42½	47	52	57	63	70½	77½	
	DB	21½	23½	25½	28	31	34	37	40½	45	49	53½	59	65½	73½	
	K	13	14¼	15⅞	16¾	18⅞	20⅞	22	24⅞	27¼	29⅞	32⅞	35⅞	37⅞	42	
	L	17½	19	20½	22½	25	27½	30	32	36	39	43	47	51¾	54½	
	LD	31⅞	35⅞	38⅞	42⅞	46¾	51⅞	56⅞	61⅞	69	75½	83⅞	91½	100½	111½	
M	33¼	36¼	39¼	42¾	46¾	51¼	55¾	56¾	62½	68½	76	84	92½	102		
P	12½	14	15½	17½	19	21½	24	26	28	31	35	39	43½	46½		
CLASS I	T	3	3½	3½	3½	3½	4	4	5	5	5	6	6	7		
	U	1⅞	1⅞	1⅞	1⅞	1⅞	2⅞	2⅞	2⅞	2⅞	3⅞	3⅞	4⅞	4⅞		
	V	¾ x ¾			½ x ¼			⅝ x ⅝			¾ x ¾		⅞ x ⅞		1 x ¼	1¼ x ⅞
	Z	16½	18¼	19¾	20¾	22⅞	24⅞	26½	30⅞	32¾	35¼	37¾	42¾	50½	55	
CLASS II	T	3½	3½	4	4	4	4	5	5	5	5	6	6	7	8	
	U	1¼	1¼	2¼	2¼	2¼	2¼	2¼	2¼	3¼	3¼	3¼	4¼	5¼	5¼	
	V	½ x ¼			⅝ x ⅝			¾ x ¾		⅞ x ⅞		1 x ¼		1¼ x ⅞	1½ x ⅞	
	Z	17	18¼	19¾	21¼	22⅞	24⅞	27½	30⅞	32¾	35¼	38¾	44¼	50½	55	
	W	21	23¾	25¾	28¾	31¼	34¾	38	42¼	46½	51⅞	56⅞	62⅞	68⅞	76	
X	12½	13¾	14¾	16¼	18⅞	19⅞	21½	23⅞	26¼	28⅞	31⅞	34¾	38¾	44⅞	48½	

Do Not Use For Construction Purposes Unless Certified
See Page 6 For Standard Discharges.

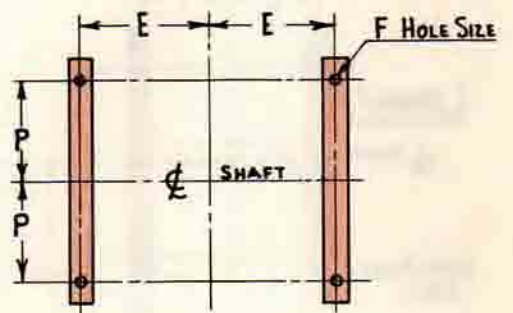
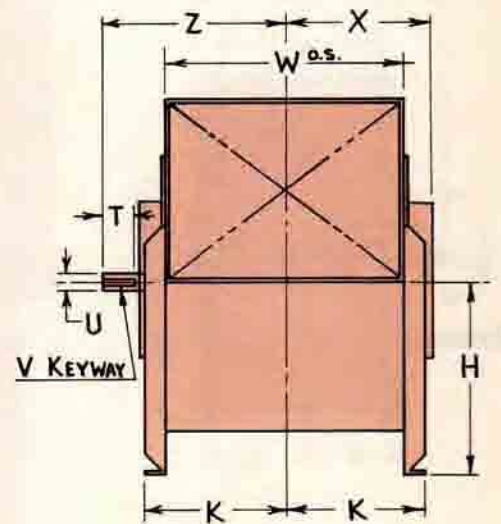
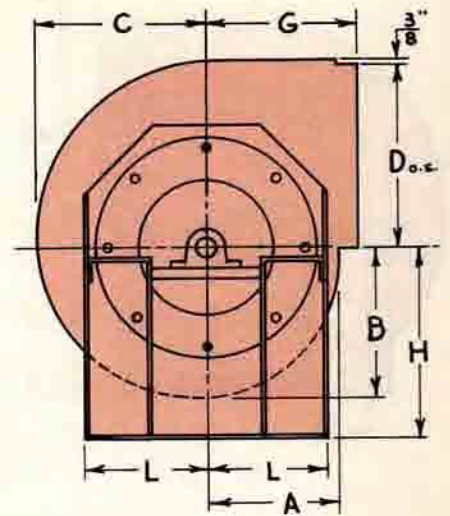


DIMENSIONS

ARRANGEMENT 3 DWDI

ADJUSTABLE DISCHARGE CLASS I and II

SIZE	122	135	150	165	182	200	222	245
WHL. DIA.	12 $\frac{1}{4}$	13 $\frac{1}{2}$	15	16 $\frac{1}{2}$	18 $\frac{1}{4}$	20	22 $\frac{1}{4}$	24 $\frac{1}{2}$
A	8 $\frac{5}{8}$	9 $\frac{3}{8}$	10 $\frac{3}{8}$	11 $\frac{3}{8}$	12 $\frac{5}{8}$	13 $\frac{3}{4}$	15 $\frac{1}{4}$	16 $\frac{3}{4}$
B	10 $\frac{5}{8}$	11 $\frac{5}{8}$	12 $\frac{7}{8}$	14 $\frac{1}{8}$	15 $\frac{5}{8}$	17	18 $\frac{7}{8}$	20 $\frac{7}{8}$
C	12 $\frac{1}{4}$	13 $\frac{1}{2}$	14 $\frac{7}{8}$	16 $\frac{3}{8}$	18	19 $\frac{3}{4}$	21 $\frac{7}{8}$	24 $\frac{1}{8}$
D	13 $\frac{3}{8}$	14 $\frac{3}{4}$	16 $\frac{3}{8}$	18	19 $\frac{7}{8}$	21 $\frac{3}{4}$	24 $\frac{1}{8}$	26 $\frac{5}{8}$
E	9 $\frac{1}{2}$	10 $\frac{3}{8}$	11 $\frac{3}{8}$	12 $\frac{7}{16}$	13 $\frac{7}{8}$	15 $\frac{1}{8}$	16 $\frac{5}{8}$	18 $\frac{7}{16}$
F	$\frac{7}{16}$	$\frac{7}{16}$	$\frac{7}{16}$	$\frac{7}{16}$	$\frac{9}{16}$	$\frac{9}{16}$	$\frac{9}{16}$	$\frac{9}{16}$
G	11 $\frac{1}{2}$	12 $\frac{1}{2}$	13 $\frac{1}{4}$	14 $\frac{1}{4}$	15 $\frac{1}{2}$	16 $\frac{1}{2}$	17 $\frac{3}{4}$	19
H	15 $\frac{1}{2}$	17	18 $\frac{1}{2}$	20	22	24	26	28 $\frac{1}{2}$
K	10 $\frac{1}{8}$	11	12	13 $\frac{1}{8}$	14 $\frac{3}{4}$	16	17 $\frac{1}{2}$	19 $\frac{1}{4}$
L	8 $\frac{1}{4}$	8 $\frac{7}{8}$	9 $\frac{5}{8}$	10 $\frac{3}{8}$	12	13	14	15 $\frac{1}{4}$
P	5 $\frac{1}{4}$	5 $\frac{7}{8}$	6 $\frac{5}{8}$	7 $\frac{3}{8}$	8	9	10	11 $\frac{1}{4}$
CLASS I	T	3	3	3 $\frac{1}{2}$	3 $\frac{1}{2}$	3 $\frac{1}{2}$	4	4
	U	1 $\frac{3}{16}$	1 $\frac{7}{16}$	1 $\frac{7}{16}$	1 $\frac{11}{16}$	1 $\frac{11}{16}$	1 $\frac{15}{16}$	2 $\frac{3}{16}$
	V	$\frac{1}{4} \times \frac{1}{8}$	$\frac{3}{8} \times \frac{3}{16}$		$\frac{1}{2} \times \frac{1}{4}$			
	Z	14 $\frac{1}{4}$	15 $\frac{1}{8}$	16 $\frac{1}{8}$	18 $\frac{1}{4}$	19 $\frac{3}{8}$	20 $\frac{5}{8}$	22 $\frac{5}{8}$
CLASS II	T	3 $\frac{1}{2}$	3 $\frac{1}{2}$	3 $\frac{1}{2}$	3 $\frac{1}{2}$	4	4	4
	U	1 $\frac{11}{16}$	1 $\frac{11}{16}$	1 $\frac{11}{16}$	1 $\frac{15}{16}$	1 $\frac{15}{16}$	2 $\frac{3}{16}$	2 $\frac{7}{16}$
	V	$\frac{3}{8} \times \frac{3}{16}$		$\frac{1}{2} \times \frac{1}{4}$		$\frac{5}{8} \times \frac{5}{16}$		
	Z	15 $\frac{1}{4}$	16 $\frac{1}{8}$	17 $\frac{1}{8}$	18 $\frac{1}{4}$	19 $\frac{3}{8}$	20 $\frac{7}{8}$	22 $\frac{7}{8}$
W	17 $\frac{1}{4}$	19	21	23 $\frac{1}{8}$	25 $\frac{1}{2}$	28	31	34 $\frac{3}{8}$
X	10 $\frac{1}{4}$	11 $\frac{1}{8}$	12 $\frac{1}{8}$	13 $\frac{1}{4}$	14 $\frac{3}{8}$	15 $\frac{5}{8}$	17 $\frac{5}{8}$	19 $\frac{3}{8}$

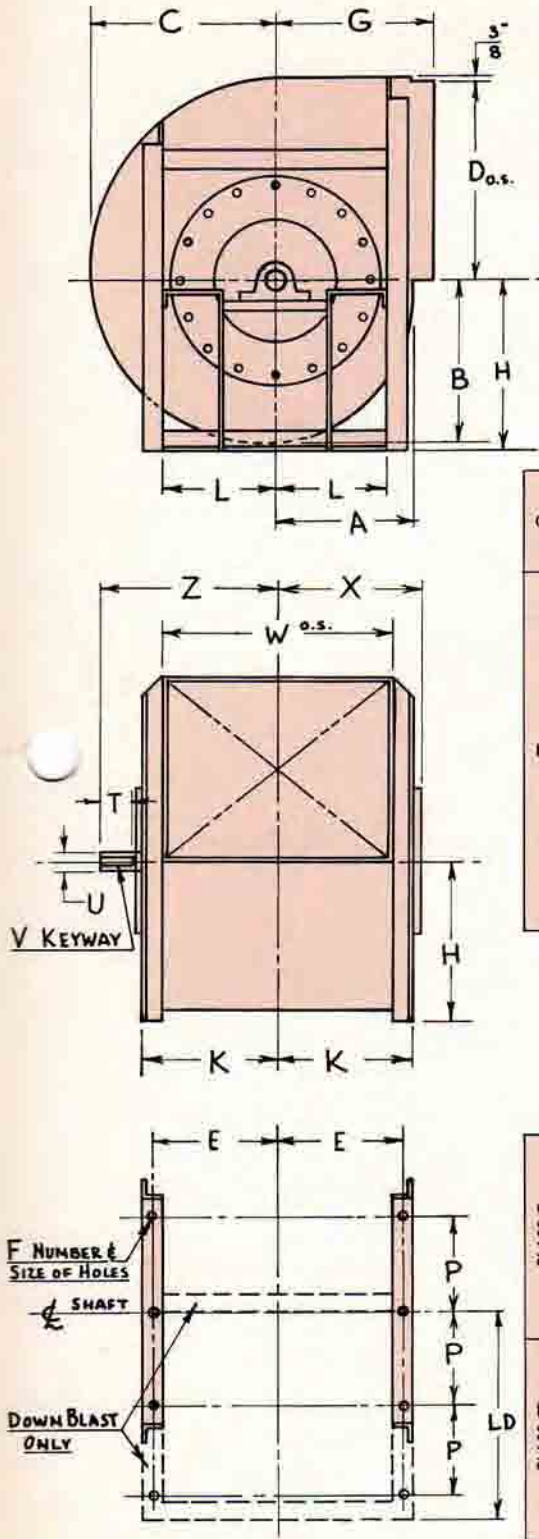


Do not use for construction purposes unless certified.
See page 6 for standard discharges.



ARRANGEMENT 3 DWDI

FIXED DISCHARGE CLASS I and II



SIZE	270	300	330	365	402	445	490	542	600	660	730	807	890	982	
WHL. DIA.	27	30	33	36½	40¼	44½	49	54¼	60	66	73	80¾	89	98¼	
A	18½	20½	22½	24¾	27¼	30¾	33½	36¾	40¾	44¾	49½	54¾	59¾	66	
B	22¾	25¾	27¾	30¾	34¼	37¾	41¾	45¼	50¾	55¾	61½	68	74½	82¼	
C	26½	29½	32¾	35¾	39¾	43¼	47¼	51¾	58¾	64½	71¾	78¾	86½	95½	
D	29¾	32¾	35¾	39¾	43¾	48¾	53¾	58¾	65	71½	79¾	87½	96½	106½	
E	20¼	22¾	24½	26¾	29¾	32¾	36	39¾	44¾	48½	53½	58¾	63¼	70¾	
F	4 - 1¼			6 - 1¼			6 - ¾			6 - 1½					
G	STD.	21	23	25	27½	30½	33½	36½	40	44½	48½	53	58½	65	73
	TAD	31	33	35	38	42½	46½	50	52½	61	65	71	76	81	86
H	BH	32½	35	38½	42½	47	51½	56½	62	69	76	83	92	101	112
	BAU	29	32	35	39	43	47	52	57	63	69	76	84	95	104½
	UB	27½	30½	33½	37	40½	44½	49	54	60	66	73	81	89¾	99¼
	TAU	26½	28½	31½	34½	38	42	46	50½	56	62	68	75	83½	92½
	TH	24½	26½	29	32	35	38½	42½	47	52	57	63	70	77¾	86
	TAD	22	24	26½	29	32	35	38½	42½	47	52	57	63	70½	77½
	DB	21½	23½	25½	28	31	34	37	40½	45	49	53½	59	65½	73½
K	21¾	23½	25¾	28	31½	34¾	37¼	40¾	45¾	50	55	60¾	65	72½	
L	17½	19	20½	22½	25	27½	30	32	36	39	43	47	51¾	54½	
LD	31¾	35½	38¾	42¾	46¾	51¾	56¾	61¾	69	75½	83¾	91½	100½	111½	
P	12½	14	15½	17½	19	21½	24	26	28	31	35	39	43½	46½	
CLASS I	T	4	4	5	5	5	4	5	5	5	6	6	7	7	7
	U	2¾	2¼	2¼	2¼	3¼	2¾	2¼	3¼	3¼	3½	4¼	4¼	4½	5¼
	V	½x¼	¾ x ½	¾ x ½	¾ x ¾	¾ x ¾	¾ x ¾	¾ x ¾	¾ x ¾	¾ x ¾	¾ x ¾	1 x ¼	1 x ¼	1 x ¼	1 x ¼
	Z	26½	29½	32¾	35	37¾	39¾	43¾	47¾	52½	57½	64½	70¼	80	87
CLASS II	T	5	5	5	5	6	5	6	6	6	7	7	8	8	
	U	2¼	2¼	3¼	3¼	3¼	3¼	3¼	3¼	3¼	4¼	4¼	5¼	5¼	6¼
	V	¾x¾	¾ x ¾	¾ x ¾	¾ x ¾	1x¼	¾x¾	¾x¾	¾x¾	¾x¾	¾x¾	1x¼	1x¼	1x¼	1x¼
	Z	27½	30½	32¾	35	38¾	40¾	44¾	48¾	53	59	65	72¾	80	87
	W	37¾	42	46½	51	56¼	62¼	68½	75¾	83¾	92	102	112¾	124	137
X	20¾	23	25½	27½	30¾	33¾	36¾	40¾	44¾	49	54	59¾	72	79	

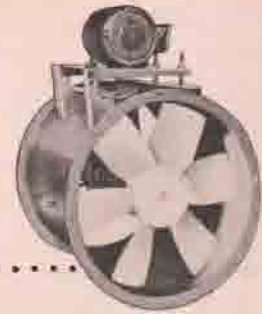
(In the interest of continued product improvement, the right is reserved to change construction without prior notice or prejudice)

Do Not Use For Construction Purposes Unless Certified
See Page 6 For Standard Discharges.

SHELDONS

AIR HANDLING PRODUCTS

VANEAXIAL FANS.....



TUBEAXIAL FANS.....

UTILITY SETS.....

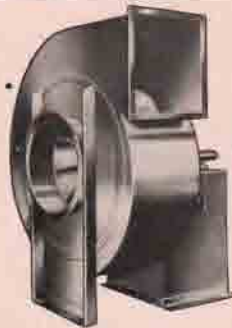


TYPE B



TYPE F

INDUSTRIAL FANS.....



XB WHEEL



XS WHEEL



XC WHEEL



XO WHEEL

PRESSURE BLOWERS.....



TYPE PH



TYPE HB



SHELDONS ENGINEERING LIMITED

Galt, Ontario; Montreal, Toronto, Hamilton, London, Ottawa, Vancouver

Representatives in principal cities across Canada

Sheldons Manufacturing Corporation, Bensenville, Illinois

